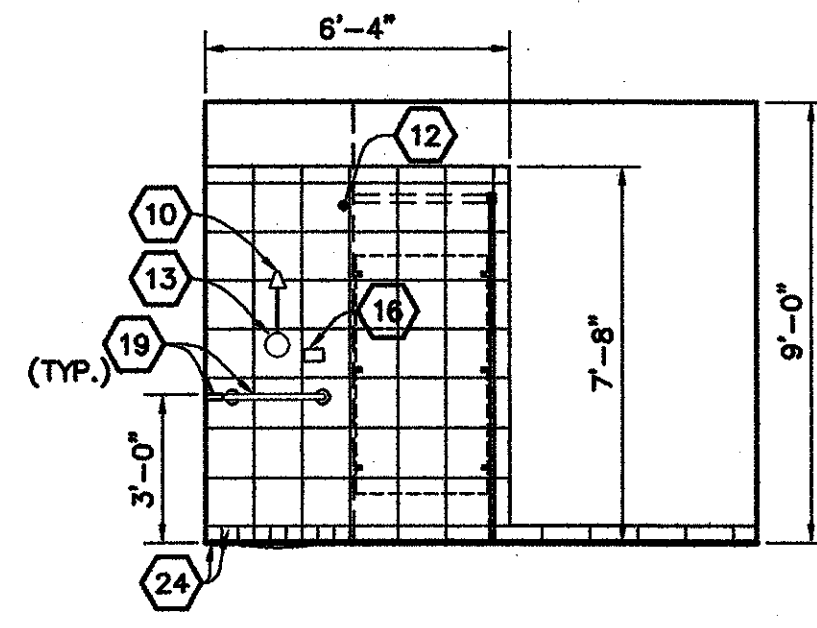
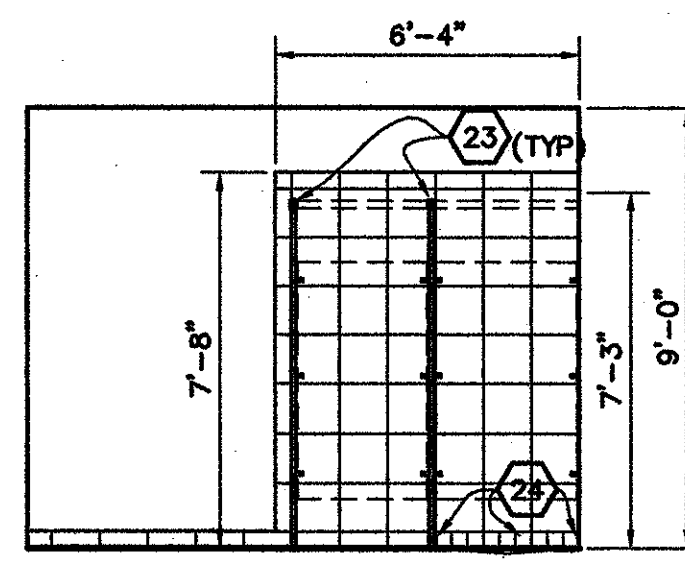


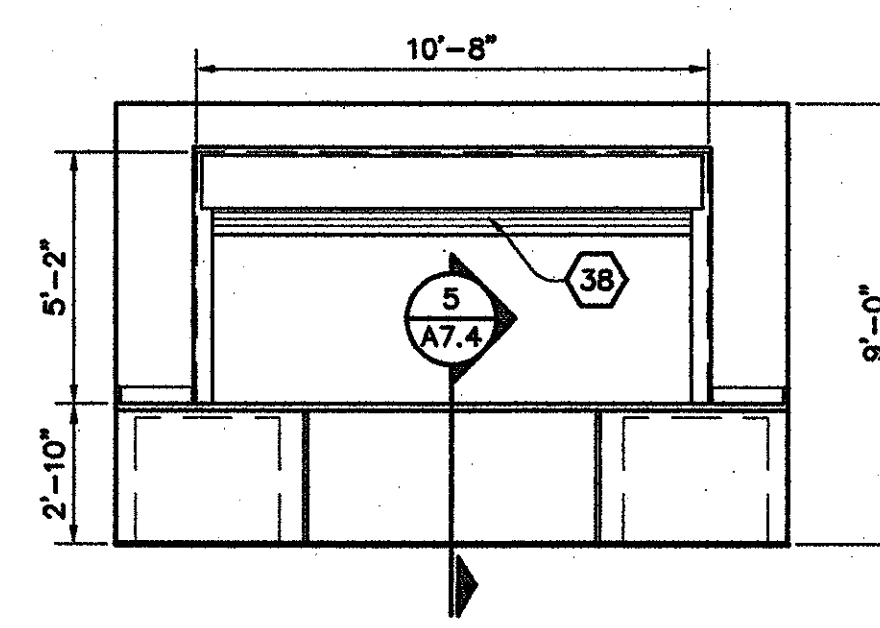
**1** (BASE BID)  
**SHOWER's B107/B109/B113/B115**  
AS0|AS4 20-0901 E02.dwg 1/4" = 1'-0"



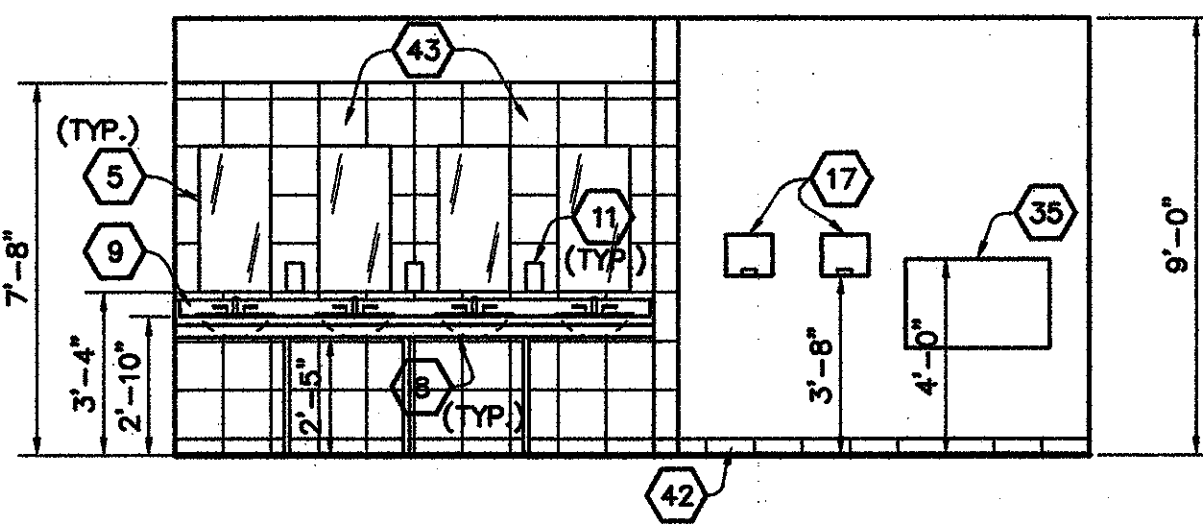
**2** (BASE BID)  
**SHOWER's B107/B109/B113/B115**  
AS0|AS4 20-0901 E02.dwg 1/4" = 1'-0"



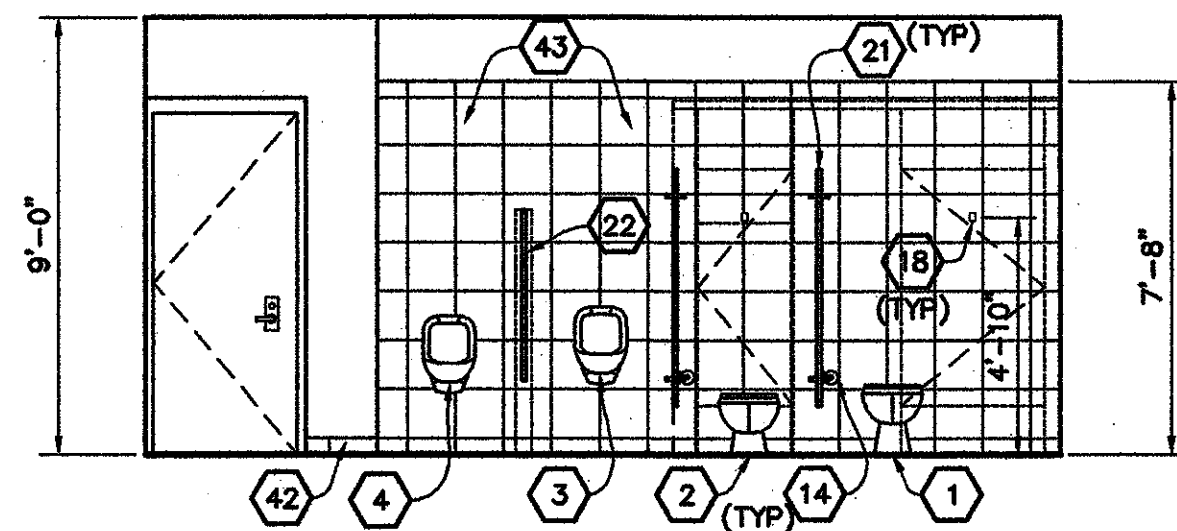
**3** (BASE BID)  
**SHOWER's B107/B109/B113/B115**  
AS0|AS4 20-0901 E02.dwg 1/4" = 1'-0"



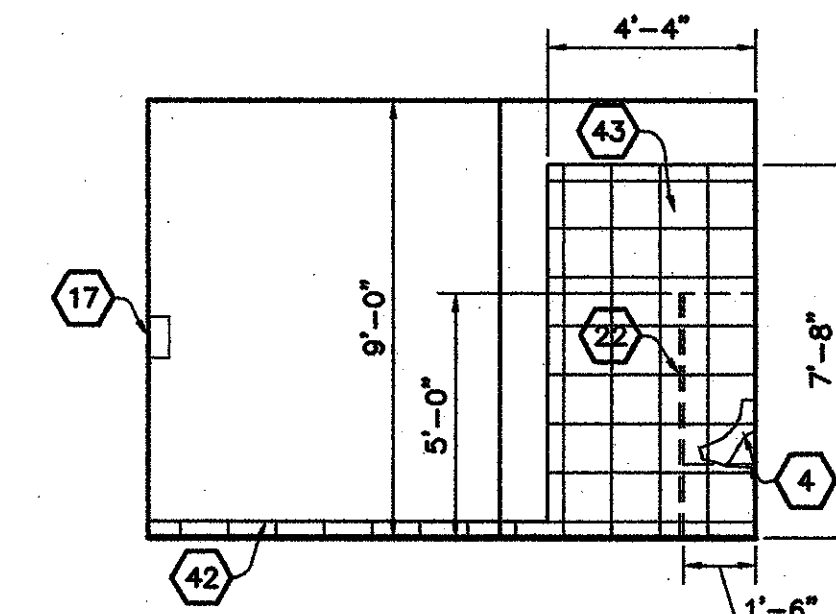
**4** (BASE BID)  
**CONCESSION's C110/D103**  
AS4A|AS4 20-0901 E02.dwg 1/4" = 1'-0"



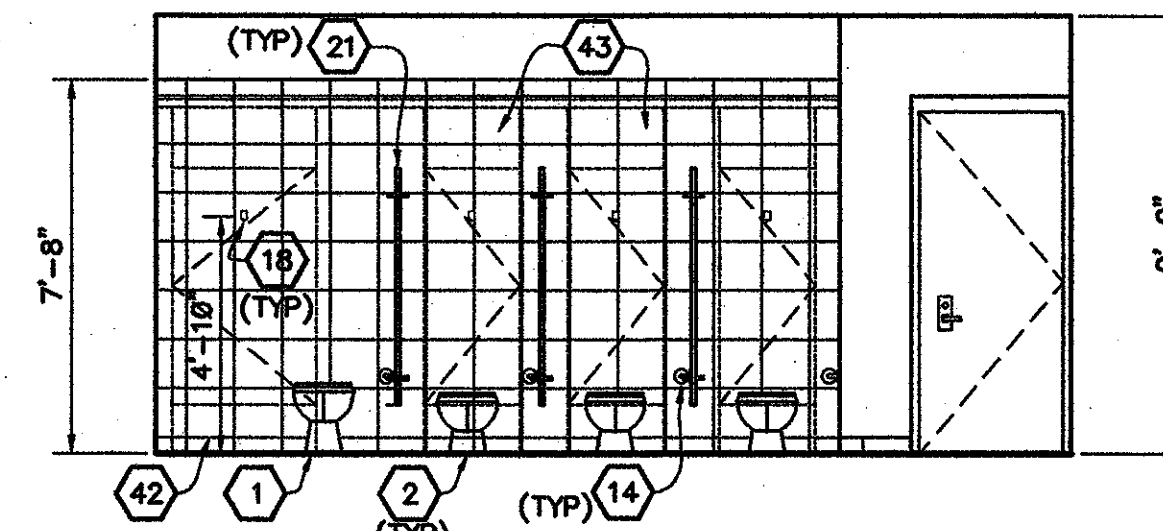
**5** (BASE BID)  
**TLT's C104/C105/D108/D109**  
AS1|AS4 20-0901 E02.dwg 1/4" = 1'-0"



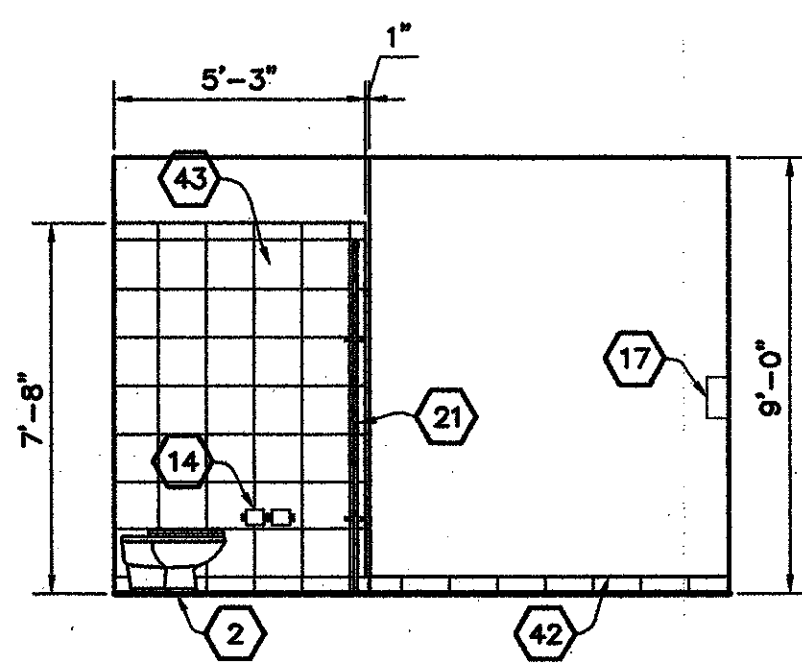
**6** (BASE BID)  
**MEN's C104/D108**  
AS1|AS4 20-0901 E02.dwg 1/4" = 1'-0"



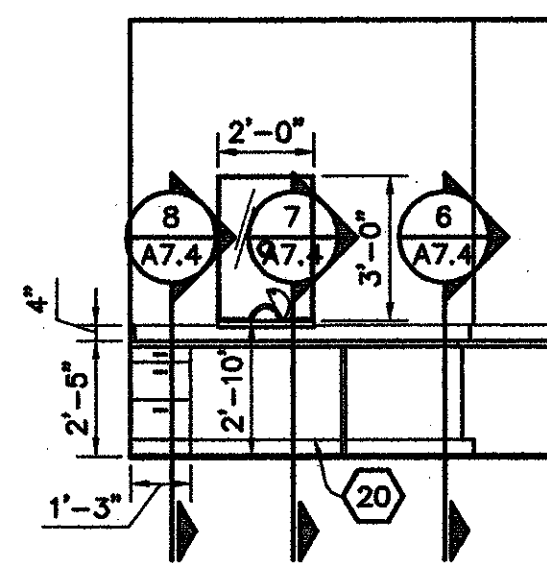
**7** (BASE BID)  
**TLT's C104/C105/D108/D109**  
AS1|AS4 20-0901 E02.dwg 1/4" = 1'-0"



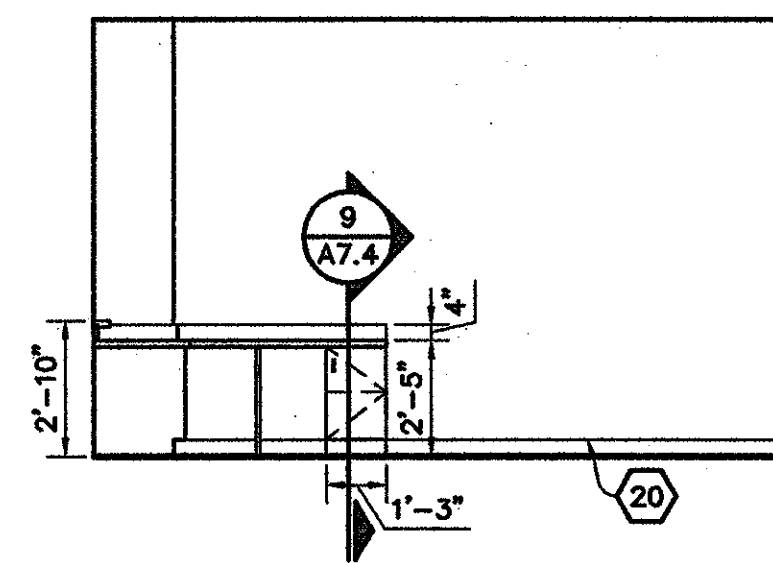
**8** (BASE BID)  
**WOMEN's C105/D109**  
AS1|AS4 20-0901 E02.dwg 1/4" = 1'-0"



**9** (BASE BID)  
**TLT's C104/C105/D108/D109**  
AS1|AS4 20-0901 E02.dwg 1/4" = 1'-0"



**10** (ALTERNATE No. 2)  
**TICKET ROOM A101**  
AS1|AS4 20-0901 E02.dwg 1/4" = 1'-0"



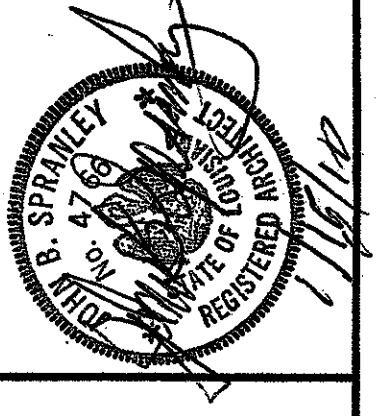
**11** (ALTERNATE No. 2)  
**TICKET ROOM A101**  
AS1|AS4 20-0901 E02.dwg 1/4" = 1'-0"

**KEYNOTES**

- 1 ADA FLOOR-MOUNTED TOILET
- 2 FLOOR-MOUNTED TOILET
- 3 URINAL
- 4 ADA URINAL
- 5 MIRROR (SEE INTERIOR ELEVS.)
- 6 36" GRAB BAR
- 7 42" GRAB BAR
- 8 COUNTER MOUNTED LAVATORY WITH FAUCET
- 9 P. LAM. COUNTER & BACKSPLASH
- 10 SHOWER HEAD
- 11 SOAP DISPENSER
- 12 SHOWER CURTAIN ROD
- 13 SHOWER VALVE
- 14 TOILET PAPER DISPENSER
- 15 FEMINE NAPKIN DISPOSAL
- 16 RECESSED SOAP DISH
- 17 ADA COMPLIANT ELECTRIC HAND DRYER
- 18 COAT HOOK WITH BUMPER
- 19 L-SHAPED GRAB BAR (SEE SPEC.)
- 20 6" RUBBER BASE
- 21 SOLID PHENOLIC TOILET PARTITION (SEE SPEC.)
- 22 SOLID PHENOLIC URINAL PARTITION (SEE SPEC.)
- 23 SOLID PHENOLIC SHOWER DIVIDERS (SEE SPEC.)
- 24 3" SHOWER CURB
- 25 SOLID PLASTIC LOCKER ON 4" CONC. CURB (SEE SPEC.)
- 26 ADA FOLDING SHOWER SEAT (SEE SPEC.)
- 27 NO CURB ROLL IN SHOWER
- 28 REFRIGERATOR
- 29 ICE MAKER
- 30 TWO-COMPARTMENT SINK
- 31 HORIZONTAL THREE-WALL GRAB BAR, 24"x54"x24"
- 32 DISHWASHER
- 33 60 INCH LOCKER BENCH
- 34 45 INCH LOCKER BENCH
- 35 WALL-MOUNTED BABY CHANGING STATION (SEE SPEC.)
- 36 PAPER TOWEL HOLDER
- 37 NOT USED
- 38 S.S. ROLL-UP SHUTTER
- 39 WATER DRINKING FOUNTAIN
- 40 MICROWAVE (BY OWNER)
- 41 GYP. BOARD FURR DOWN
- 42 4" PORCELAIN COVE BASE
- 43 12" x 12" PORCELAIN TILE

NOTE:  
PROVIDE SOLID WOOD BLOCKING FOR GRAB BAR, SINK, ETC. SUPPORT.

project no.	20-0901
drawn	JDR
checked	JJP
date	01.15.2010
revised	



**MEYER ENGINEERS, LTD.**  
ENGINEER & ARCHITECT

INTERIOR ELEVATIONS  
**VAL RIESS PARK**  
**MULTI-PURPOSE BUILDING**  
**ST. BERNARD PARISH, OWNER**