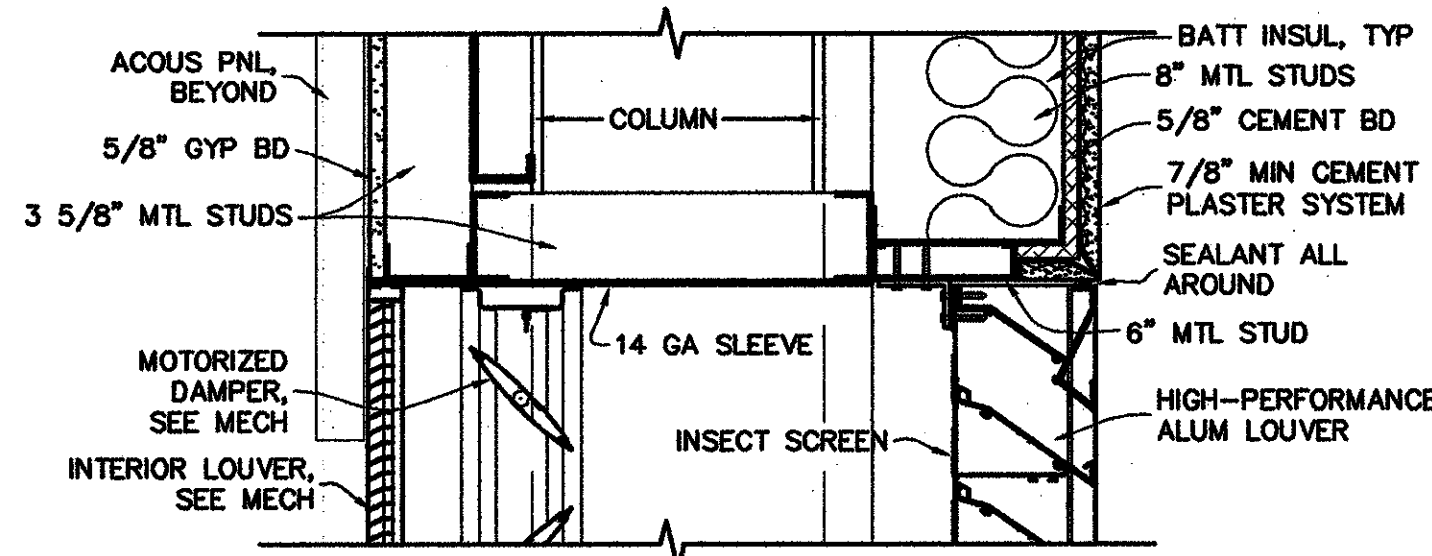


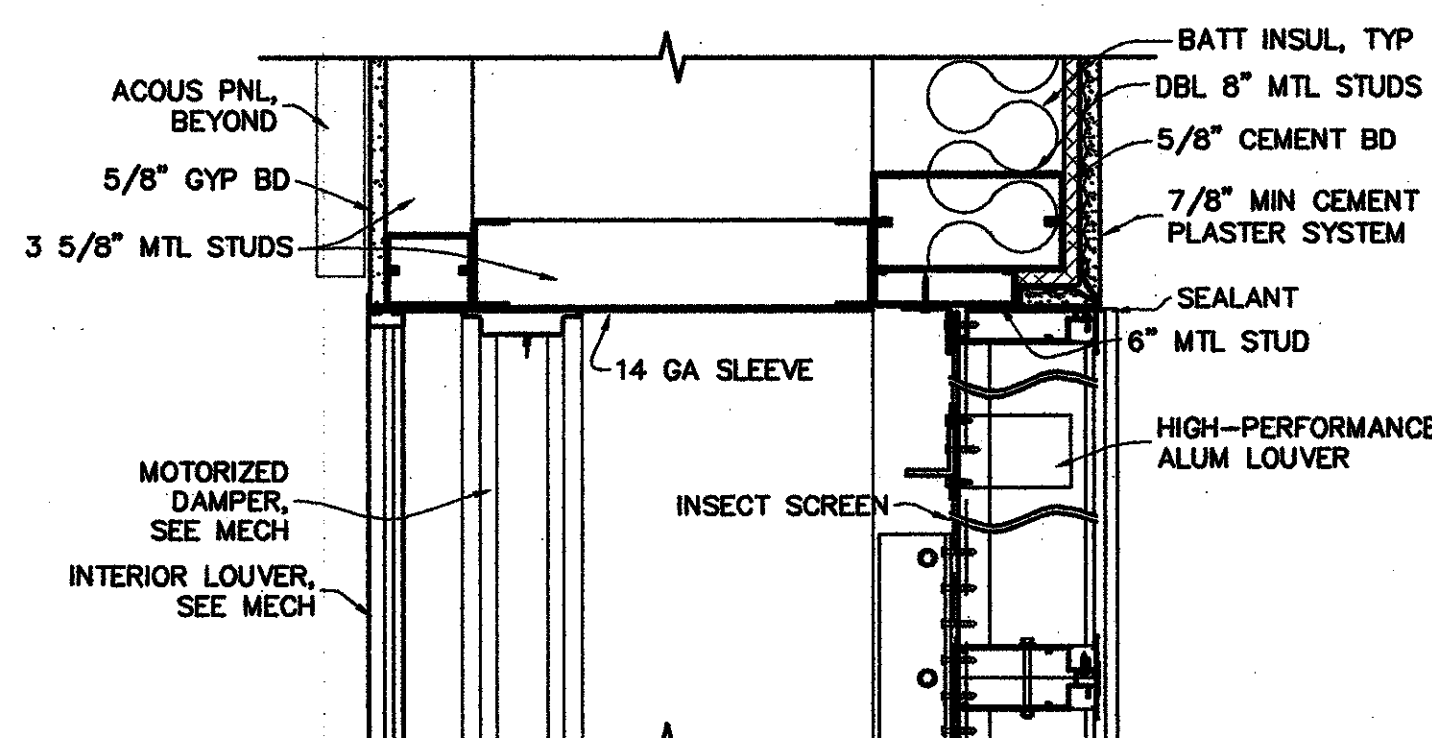
WINDOW SCHEDULE

MK.	WIDTH	HEIGHT	DESCRIPTION	HEAD	JAMB	SILL	TYPE	REMARKS
A	2'-0"	9'-0"	IMPACT RESISTANT, ALUM, FIXED	10*/A7.0	15/A7.0	19/A7.0	A	LARGE MISSILE IMPACT RESISTANT GLASS, LOW-E/TINTED
B	2'-0"	9'-0"	IMPACT RESISTANT, ALUM, FIXED	10*/A7.0	15/A7.0	19/A7.0	B	L.M.I. RESISTANT SPANDREL GLASS, OPAQUE
C	31'-11"	17'-7"	IMPACT RESISTANT, ALUM, FIXED	2,3/A4.6	4/A4.6	5/A4.6	C	LARGE MISSILE IMPACT RESISTANT GLASS, LOW-E/TINTED
D	31'-11"	10'-2"	IMPACT RESISTANT, ALUM, FIXED	1/A7.0		20/A7.0	D	LARGE MISSILE IMPACT RESISTANT GLASS, LOW-E/TINTED
E	31'-11"	4'-11"	IMPACT RESISTANT, ALUM, FIXED	1/A7.0		20/A7.0	E	LARGE MISSILE IMPACT RESISTANT GLASS, LOW-E/TINTED
F	9'-10"	10'-0"	IMPACT RESISTANT, ALUM, FIXED	1/A7.0	3/A7.0	19/A7.0	F	LARGE MISSILE IMPACT RESISTANT GLASS, LOW-E/TINTED
G	6'-0"	7'-2 1/2"	IMPACT RESISTANT, ALUM, FIXED	4*/A7.0	2,18*/A7.0	19/A7.0	G	LARGE MISSILE IMPACT RESISTANT GLASS, LOW-E/TINTED
H	2'-0"	3'-0"	S.S. TICKET WINDOW w/SHELF				H	1/2" CLR TEMP GL w/SPEAK HOLE & PASS THRU + COVERS
J	3'-4"	4'-8"	HOLLOW METAL, FIXED, 6 LITE				J	LARGE MISSILE IMPACT RESISTANT GLASS, CLEAR
K	9'-10"	8'-2 1/2"	IMPACT RESISTANT, ALUM, FIXED	7*/A7.0	2,8/A7.0	19/A7.0	K	LARGE MISSILE IMPACT RESISTANT GLASS, LOW-E/TINTED
M	5'-1"	10'-0"	IMPACT RESISTANT, ALUM, FIXED	7*/A7.0	3/A7.0	19/A7.0	M	LARGE MISSILE IMPACT RESISTANT GLASS, LOW-E/TINTED
N	13'-10"	7'-2 1/2"	IMPACT RESISTANT, ALUM, FIXED	4*/A7.0	2,8/A7.0	19/A7.0	N	LARGE MISSILE IMPACT RESISTANT GLASS, LOW-E/TINTED

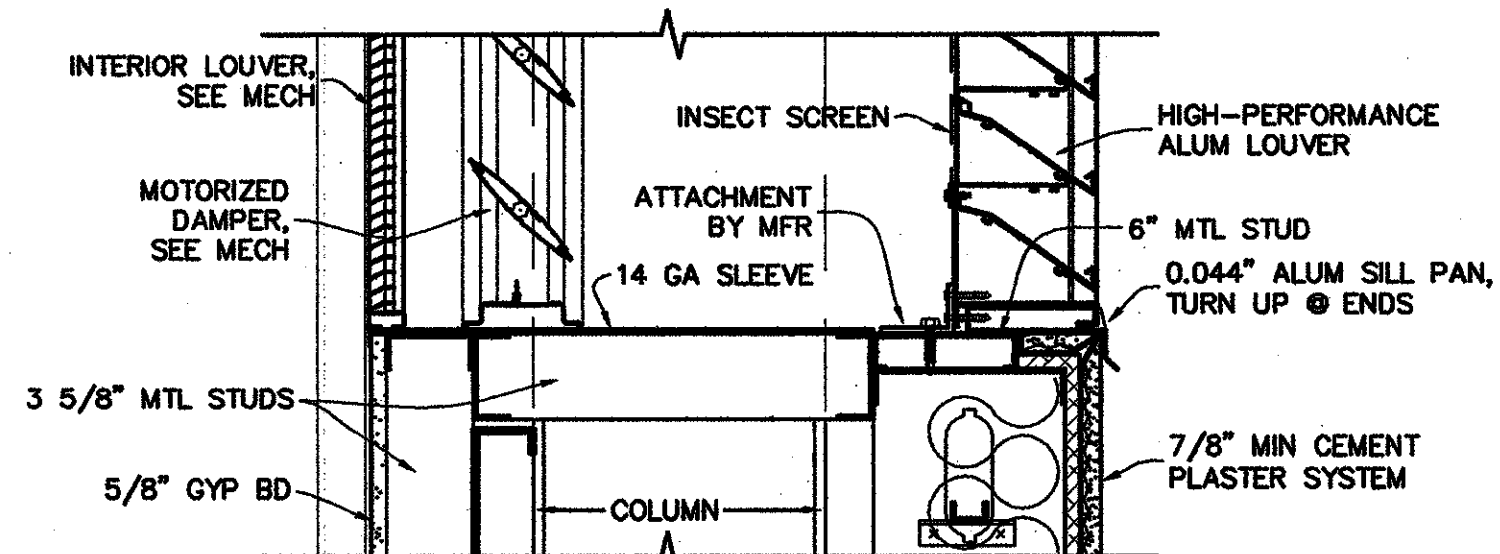
*NOTE: STOREFRONT/WINDOW DETAILS ABOVE NOTED WITH ASTERISK ARE SIMILAR TO THE DETAIL SHOWN BUT WITH WINDOW FRAME CROSS SECTION IN LIEU OF DOOR.



1 LOUVER HEAD DETAIL
A6.2 | A6.2 20-0901D01.dwg 1 1/2"=1'-0"



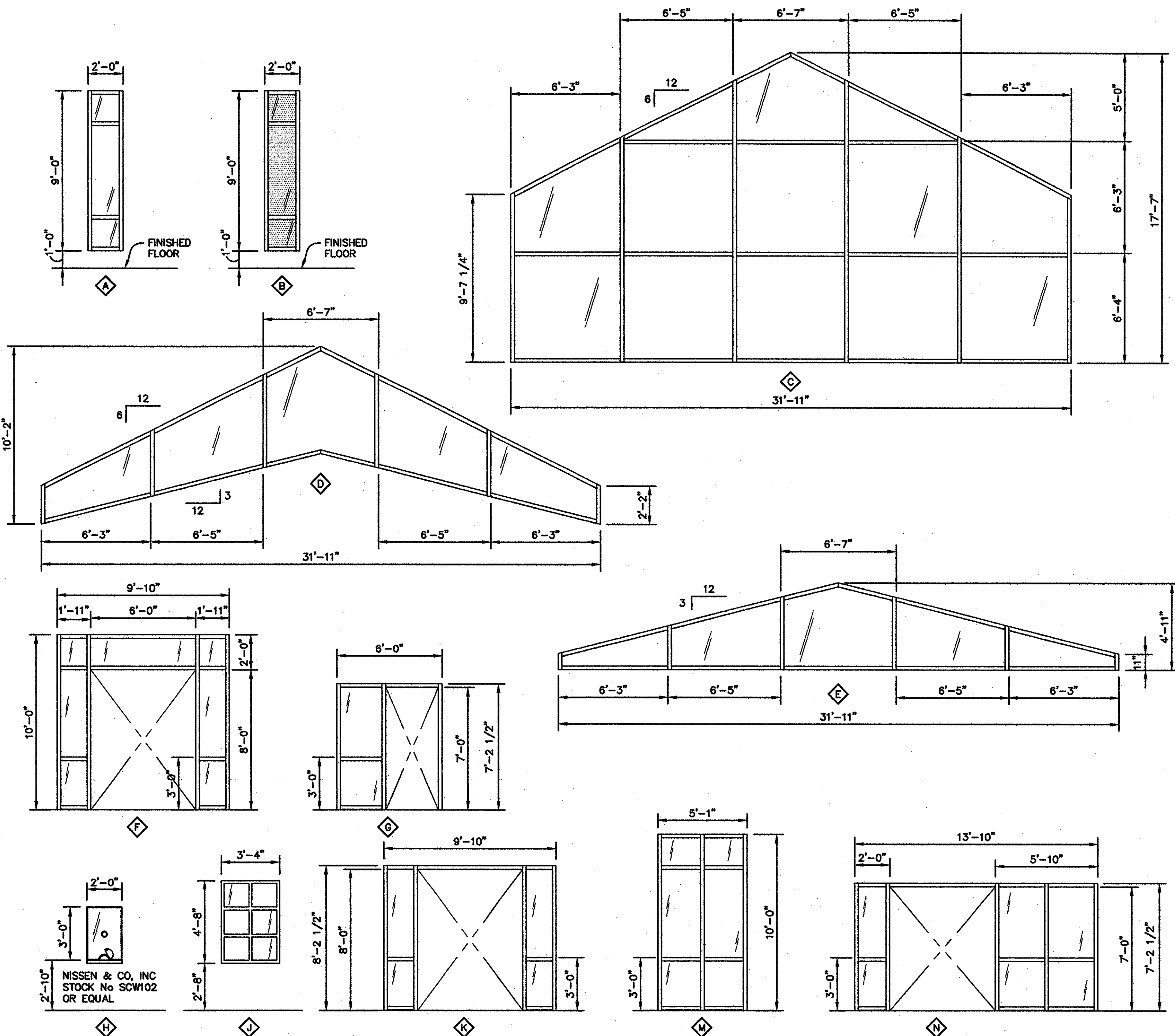
2 LOUVER JAMB DETAIL
A6.2 | A6.2 20-0901D01.dwg 1 1/2"=1'-0"



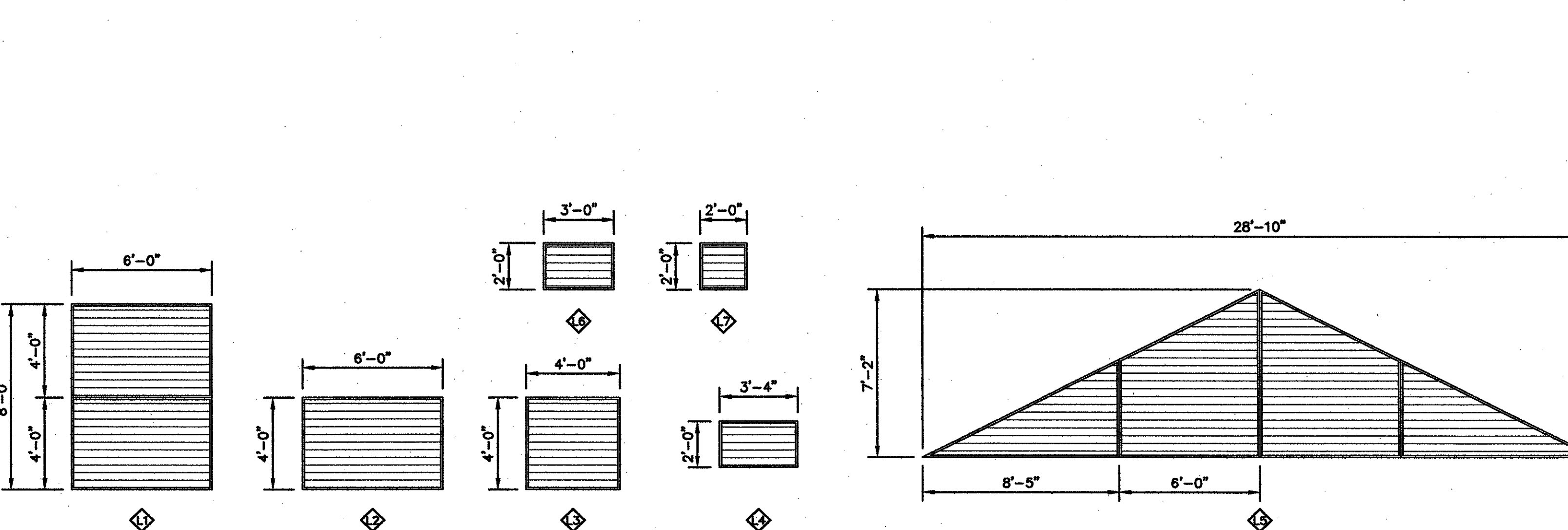
3 LOUVER SILL DETAIL
A6.2 | A6.2 20-0901D01.dwg 1 1/2"=1'-0"

LOUVER SCHEDULE

MK.	WIDTH	HEIGHT	DESCRIPTION	HEAD	JAMB	SILL	TYPE	REMARKS
L1	6'-0"	8'-0"	HURRICANE, STATIONARY, ALUMINUM	1/A6.2	2/A6.2	3/A6.2	L1	LARGE MISSILE IMPACT RESISTANT, DRAINABLE BLADES
L2	6'-0"	4'-0"	HURRICANE, STATIONARY, ALUMINUM	18/7.2	19/A7.2	20/A7.2	L2	LARGE MISSILE IMPACT RESISTANT, DRAINABLE BLADES
L3	4'-0"	4'-0"	HURRICANE, STATIONARY, ALUMINUM	18/7.2	19/A7.2	20/A7.2	L3	LARGE MISSILE IMPACT RESISTANT, DRAINABLE BLADES
L4	3'-4"	2'-0"	HURRICANE, STATIONARY, ALUMINUM	5/7.2	10/A7.2	15/A7.2	L4	LARGE MISSILE IMPACT RESISTANT, DRAINABLE BLADES
L5	28'-10"	2'-0"	HURRICANE, STATIONARY, ALUMINUM	2/A4.10	2/A4.10	2/A4.10	L5	LARGE MISSILE IMPACT RESISTANT, DRAINABLE BLADES
L6	3'-0"	2'-0"	HURRICANE, STATIONARY, ALUMINUM	4/7.2	9/A7.2	14/A7.2	L6	LARGE MISSILE IMPACT RESISTANT, DRAINABLE BLADES
L7	2'-0"	2'-0"	HURRICANE, STATIONARY, ALUMINUM	4/7.2	9/A7.2	14/A7.2	L7	LARGE MISSILE IMPACT RESISTANT, DRAINABLE BLADES



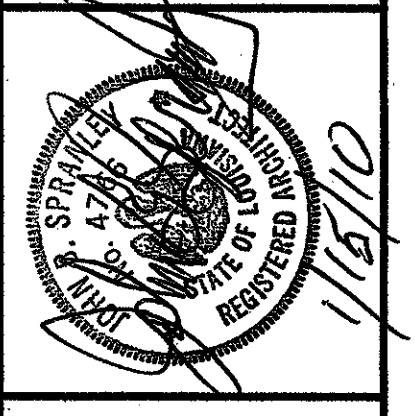
WINDOW TYPES



LOUVER TYPES



project no. 20-0901
drawn JDR
checked JJP
date 01.15.2010
revised



MEYER ENGINEERS, LTD.
ENGINEER & ARCHITECT

WINDOW SCHEDULE
VAL RISS PARK
MULTI-PURPOSE BUILDING
ST. BERNARD PARISH, OWNER

sheet no. **A6.2**
of ___ sheets