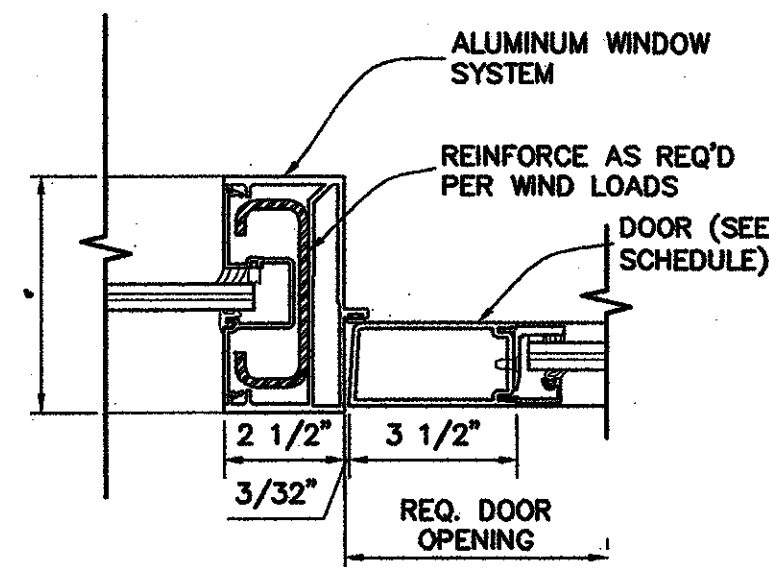
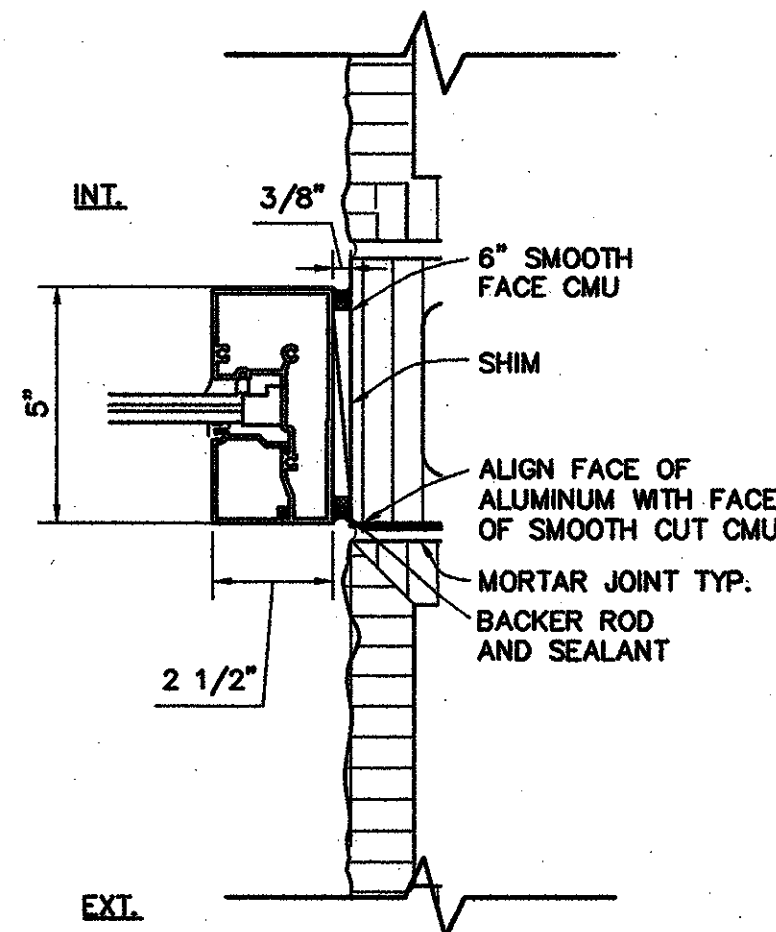


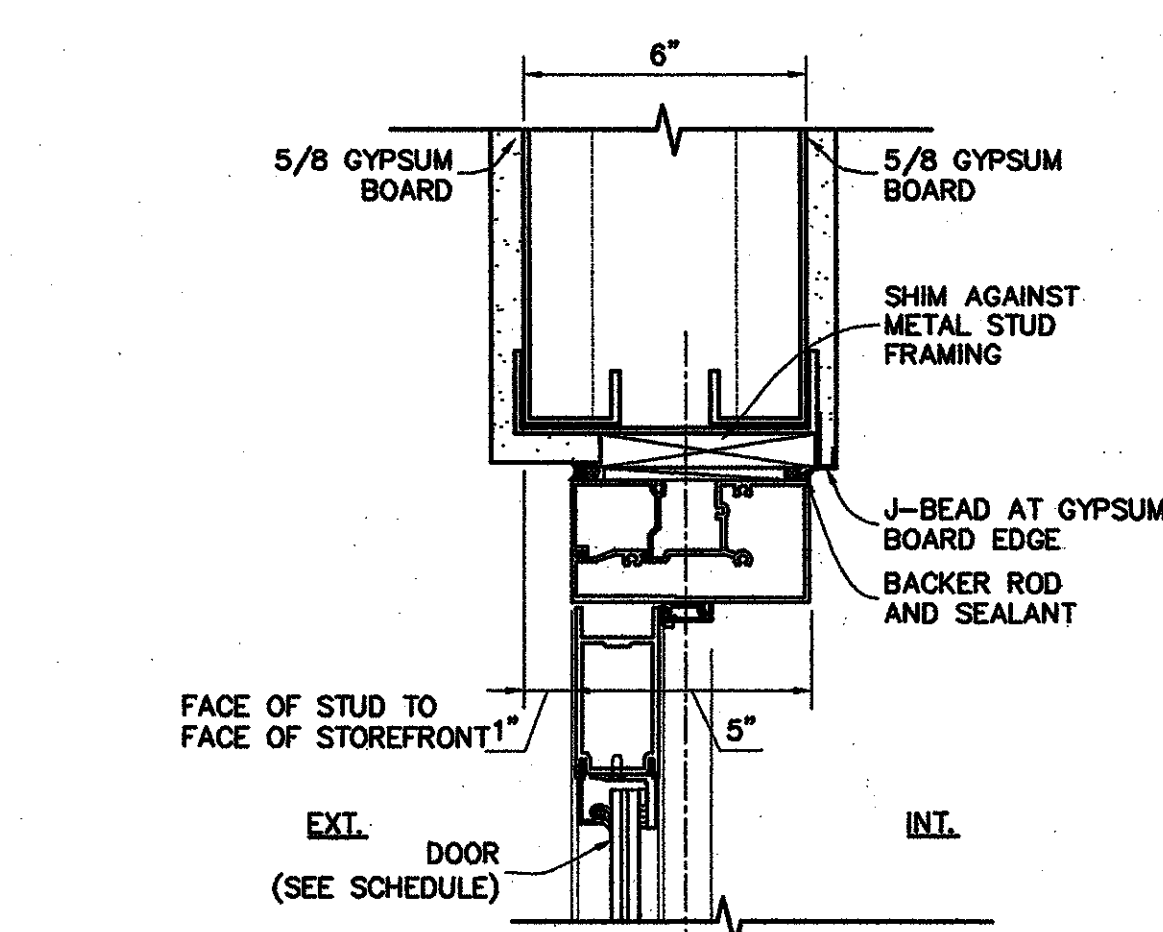
**1 STOREFRONT TRANSOM**  
A7.0/A7.0 5' - 1'-0"



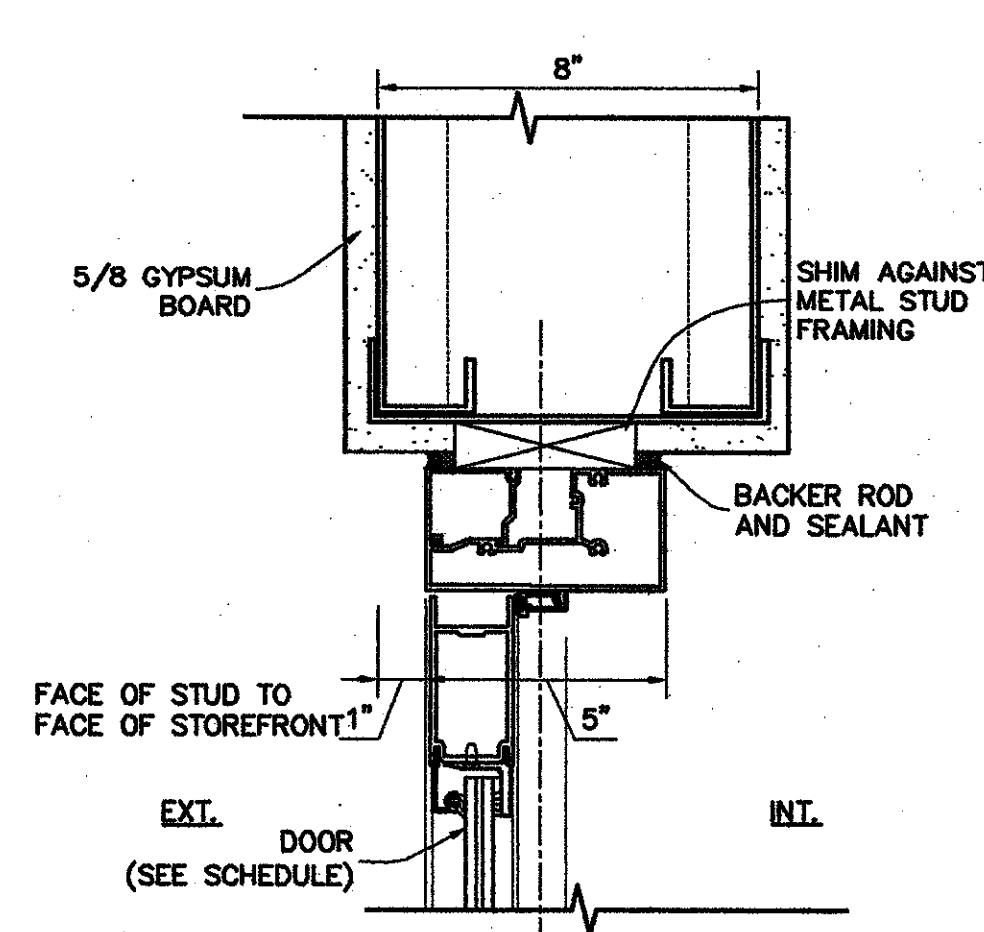
**2 STOREFRONT DOOR JAMB**  
A7.0/A7.0 5' - 1'-0"



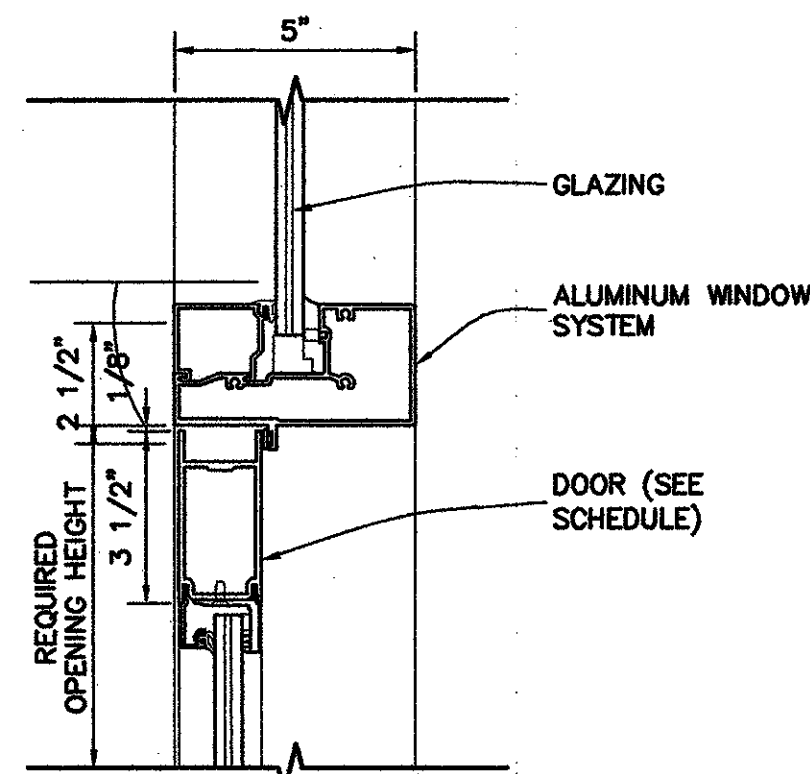
**3 STOREFRONT DOOR JAMB**  
A7.0/A7.0 5' - 1'-0"



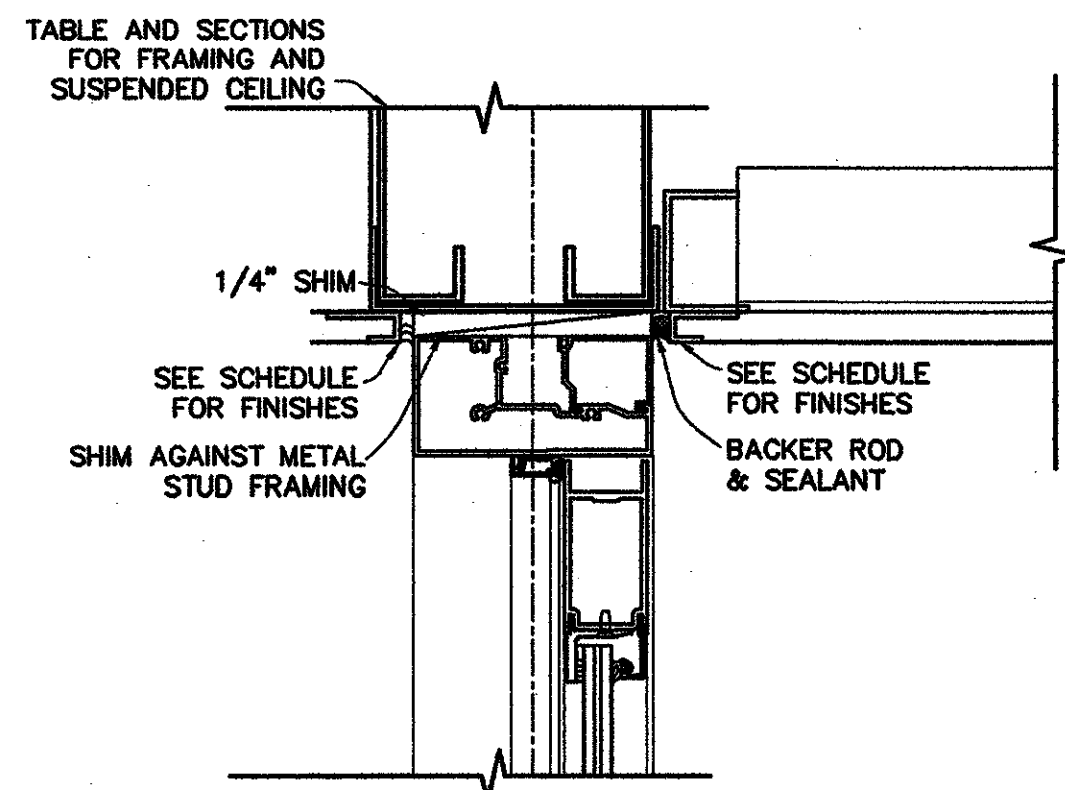
**4 STOREFRONT DOOR HEAD**  
A7.0/A7.0 5' - 1'-0"



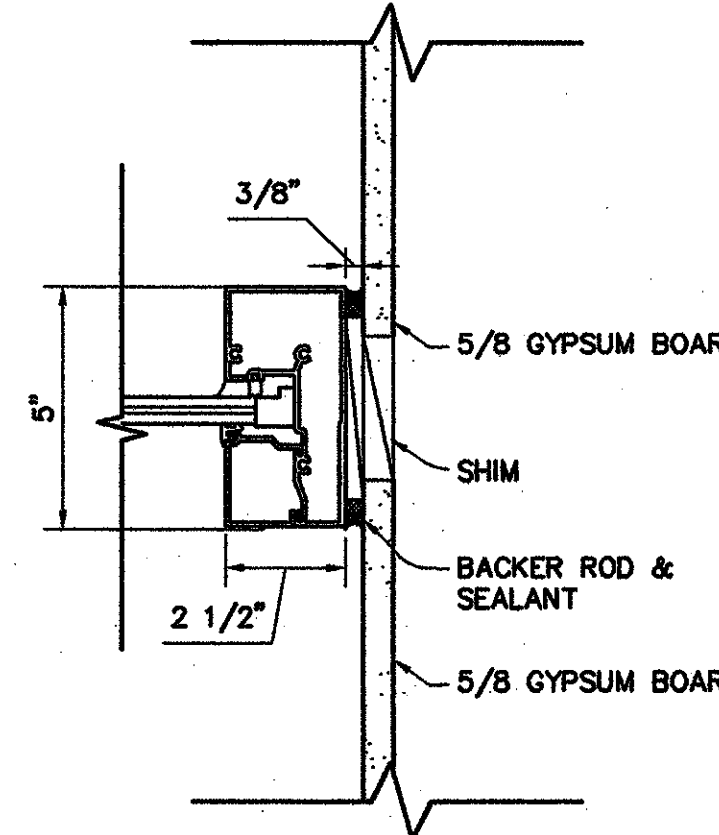
**5 STOREFRONT DOOR HEAD**  
A7.0/A7.0 5' - 1'-0"



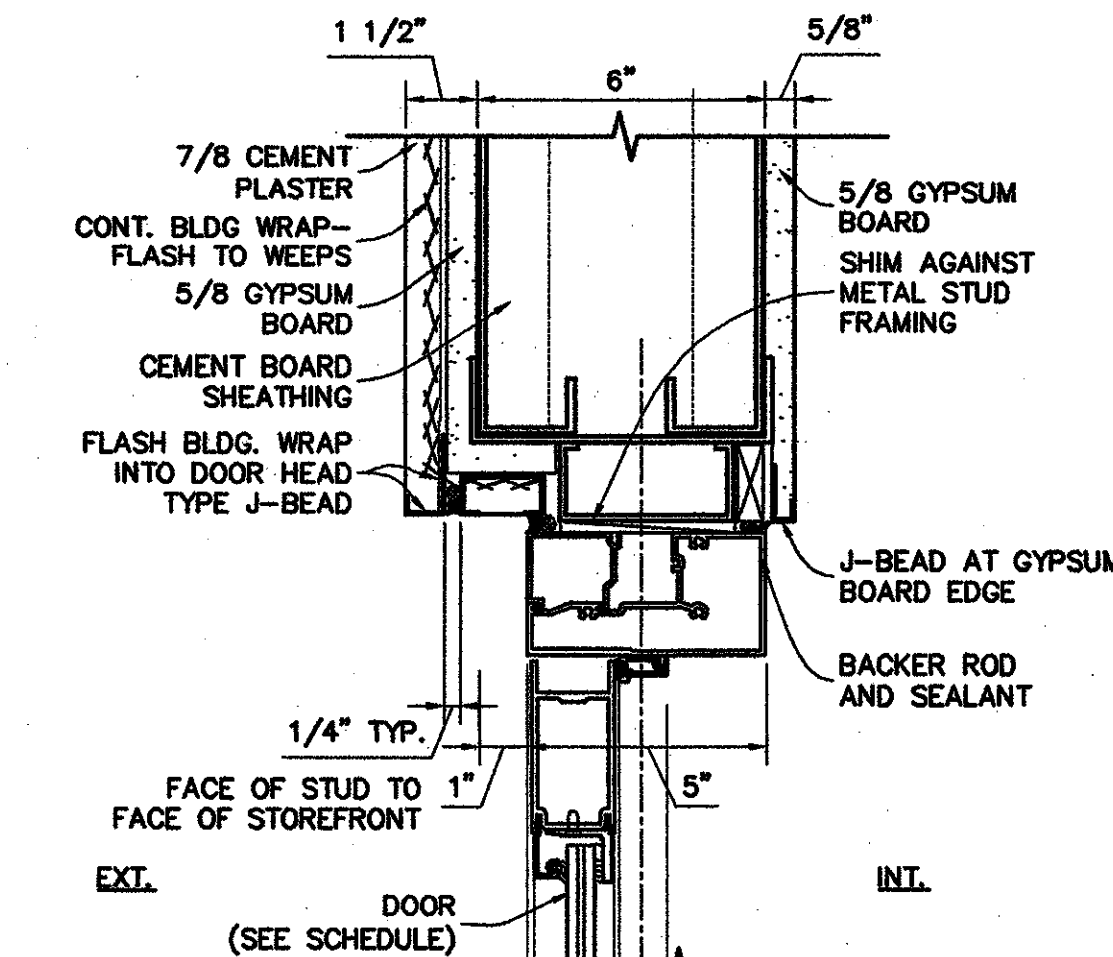
**6 STOREFRONT DOOR HEAD**  
A7.0/A7.0 5' - 1'-0"



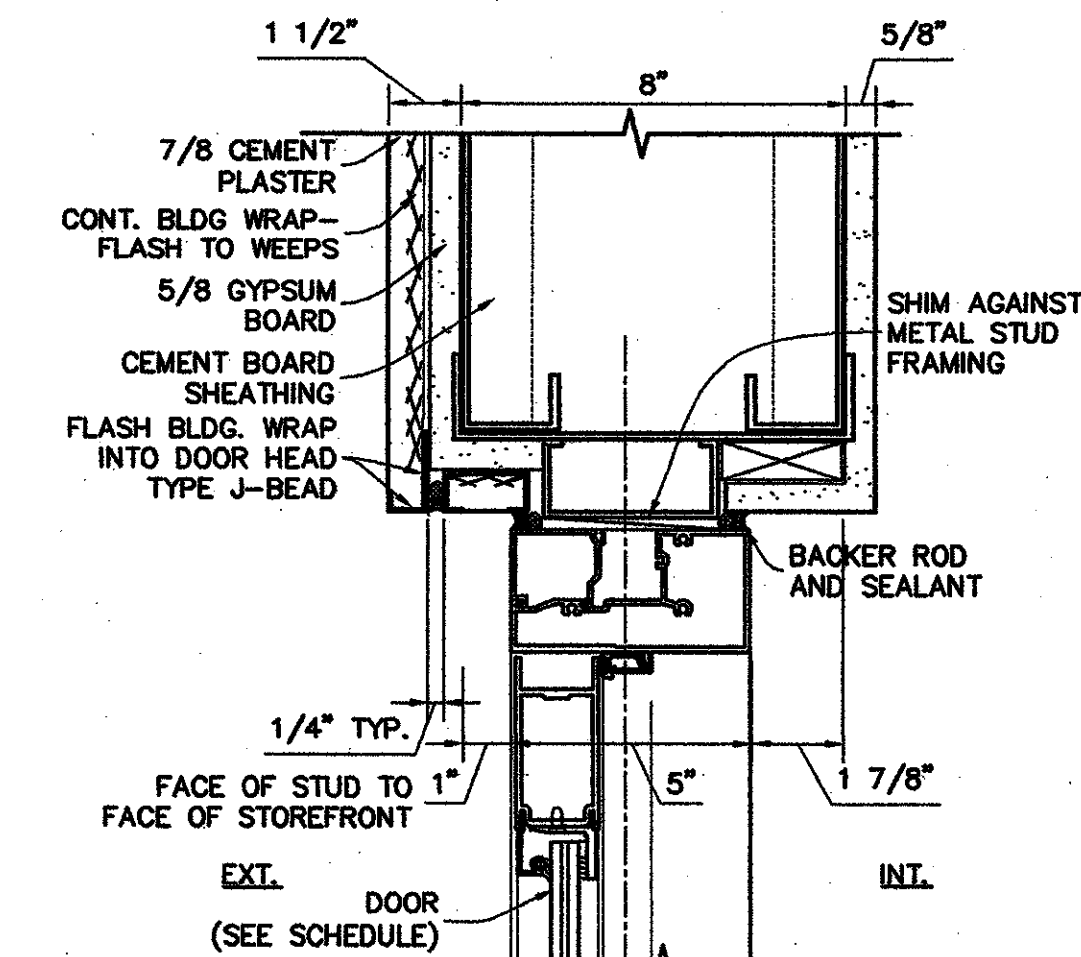
**7 STOREFRONT DOOR HEAD**  
A7.0/A7.0 5' - 1'-0"



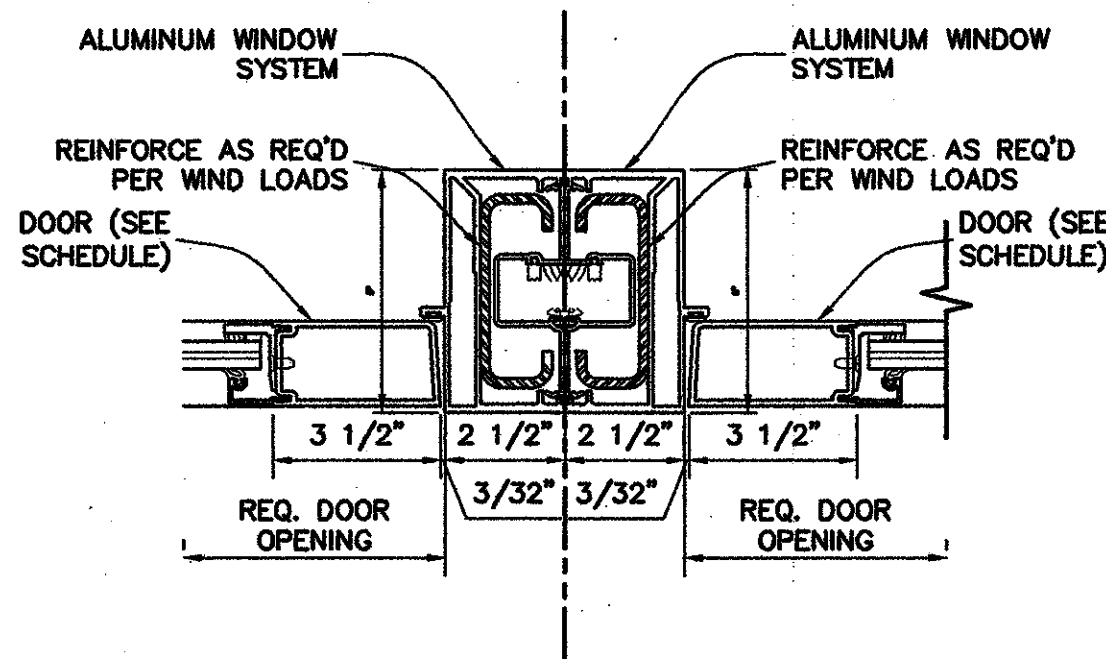
**8 STOREFRONT DOOR JAMB**  
A7.0/A7.0 5' - 1'-0"



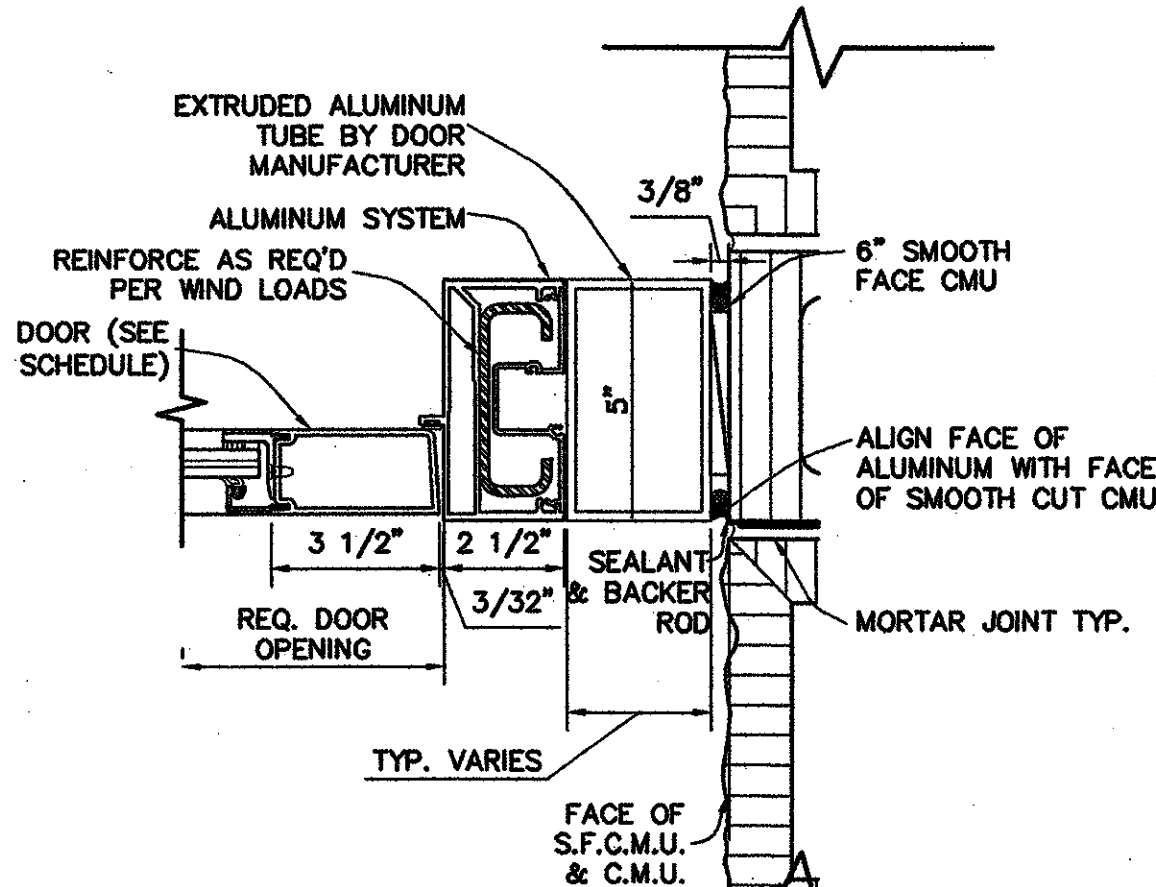
**9 STOREFRONT DOOR HEAD**  
A7.0/A7.0 5' - 1'-0"



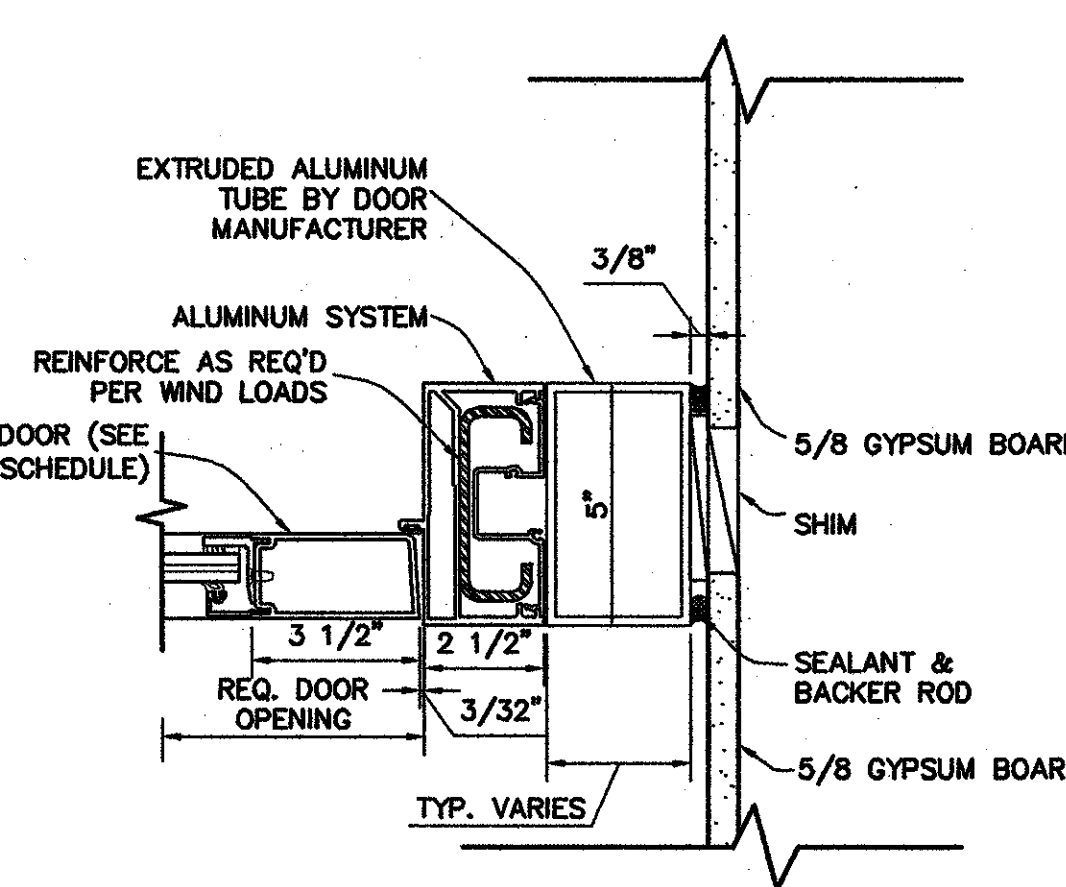
**10 STOREFRONT DOOR HEAD**  
A7.0/A7.0 5' - 1'-0"



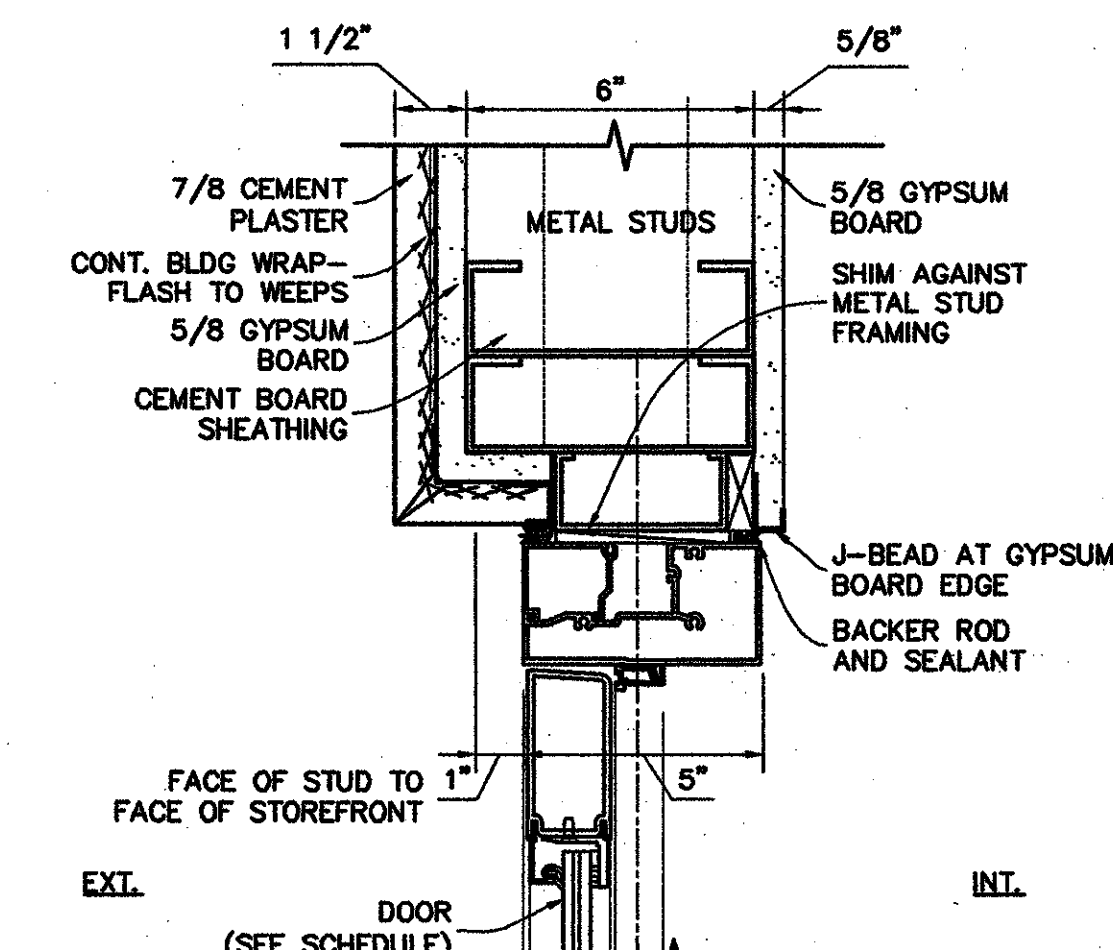
**11 STOREFRONT DOOR JAMB**  
A7.0/A7.0 5' - 1'-0"



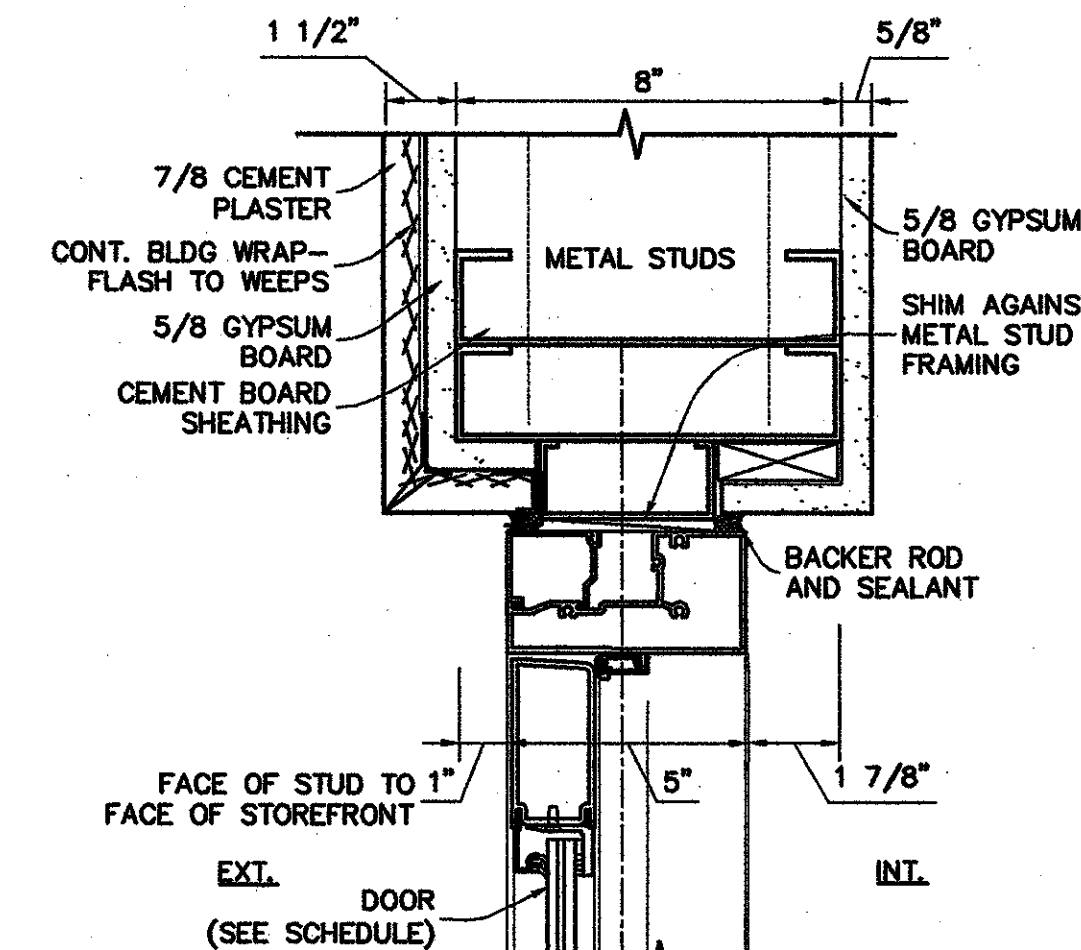
**12 STOREFRONT DOOR JAMB**  
A7.0/A7.0 5' - 1'-0"



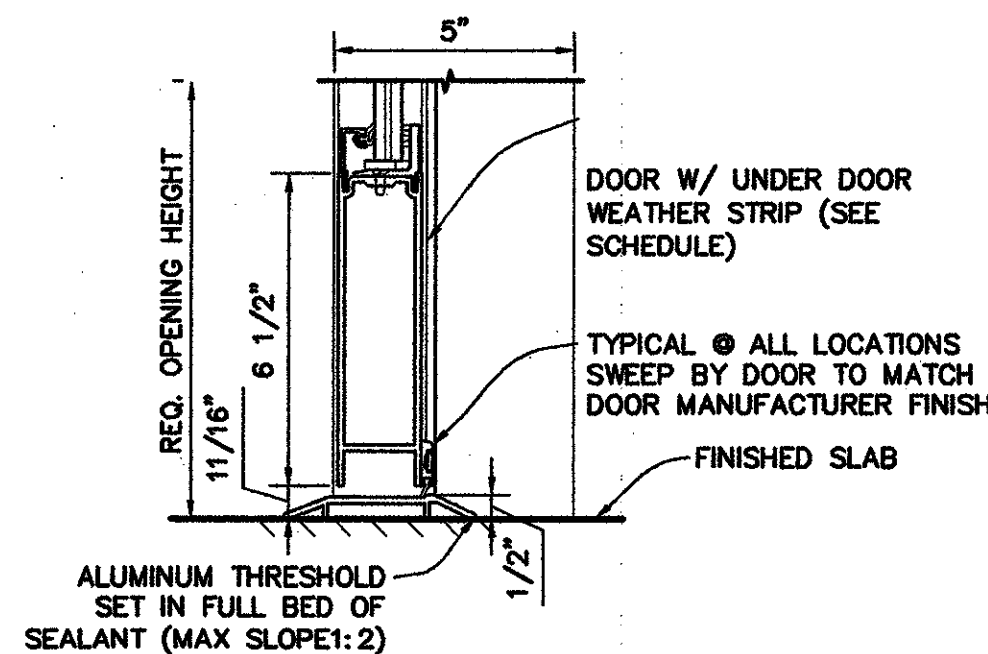
**13 STOREFRONT DOOR JAMB**  
A7.0/A7.0 5' - 1'-0"



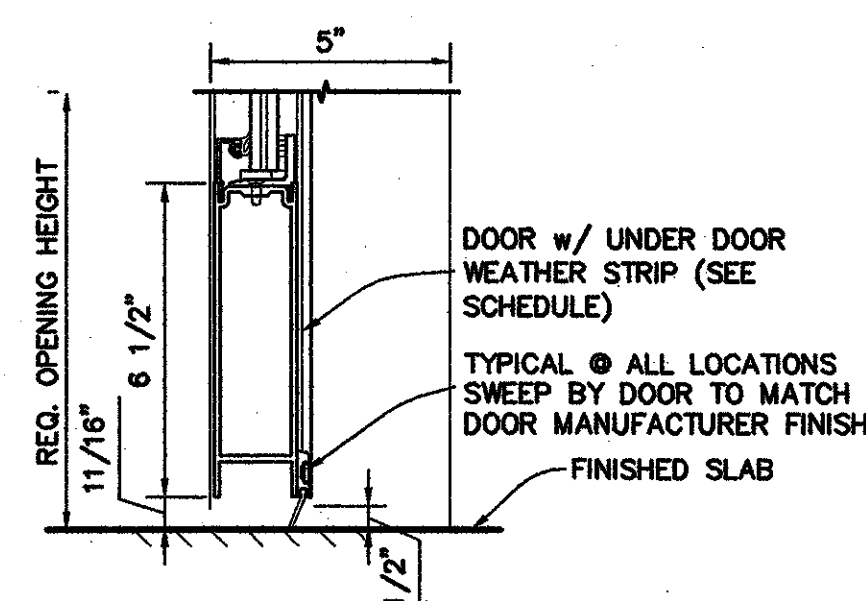
**14 STOREFRONT DOOR JAMB**  
A7.0/A7.0 5' - 1'-0"



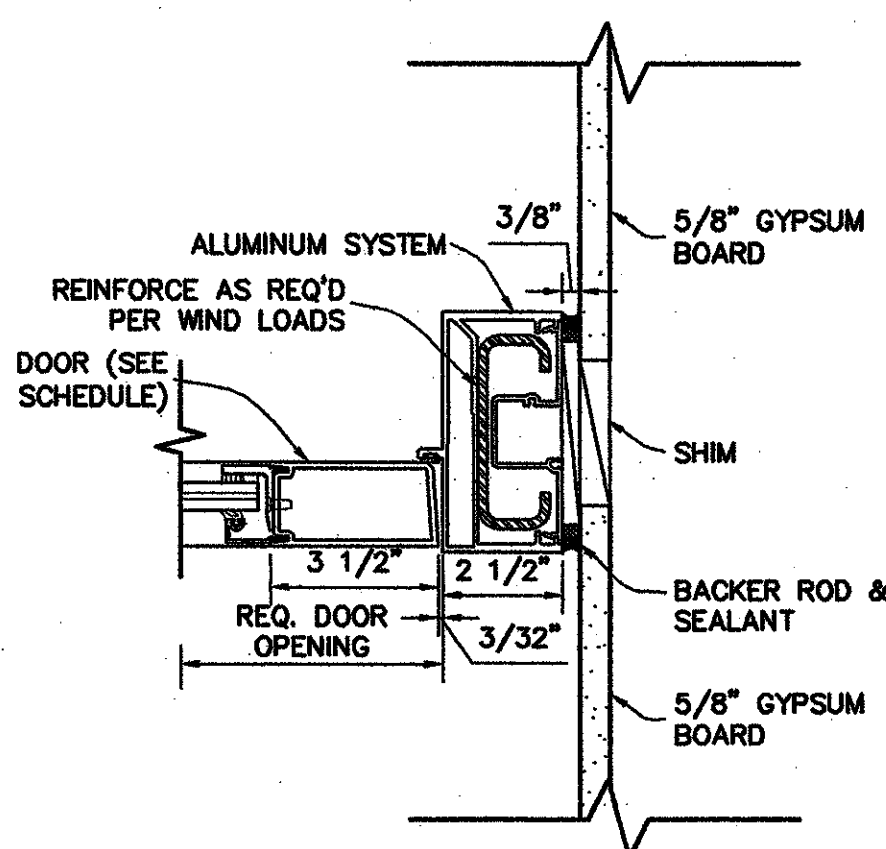
**15 STOREFRONT DOOR JAMB**  
A7.0/A7.0 5' - 1'-0"



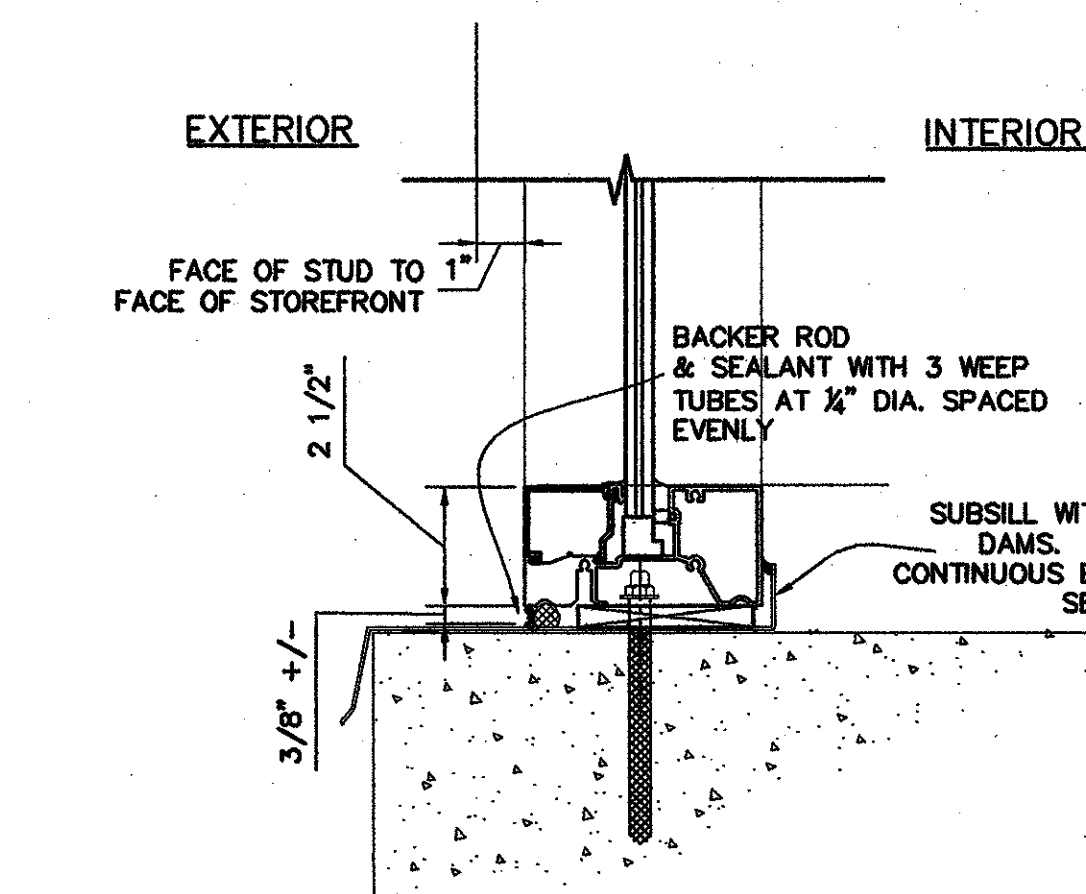
**16 STOREFRONT DOOR SILL**  
A7.0/A7.0 5' - 1'-0"



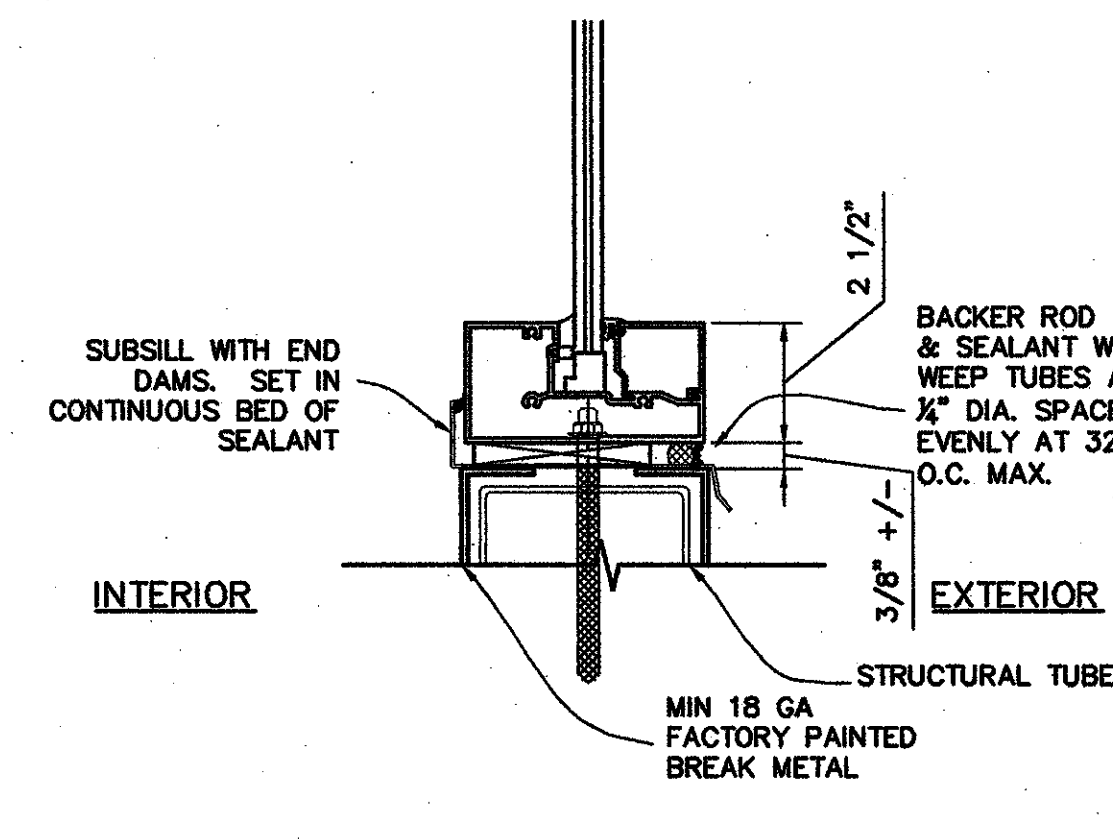
**17 STOREFRONT DOOR SILL**  
A7.0/A7.0 5' - 1'-0"



**18 STOREFRONT DOOR JAMB**  
A7.0/A7.0 5' - 1'-0"



**19 STOREFRONT SILL**  
A7.0/A7.0 5' - 1'-0"



**20 STOREFRONT SILL**  
A7.0/A7.0 5' - 1'-0"

project no. 20-0901  
drawn JBS, JDR  
checked JJP  
date 1.15.2010  
revised

**MEYER ENGINEERS, LTD.**  
ENGINEER & ARCHITECT

**VAL RISS PARK**  
MULTI-PURPOSE BUILDING  
ST. BERNARD PARISH, OWNER

sheet no. **A7.0**  
of \_\_\_ sheets

H:\Projects\Activa\20-0901\20-0901\Drawings\Construction Docs\20-0901\_A7.0.dwg