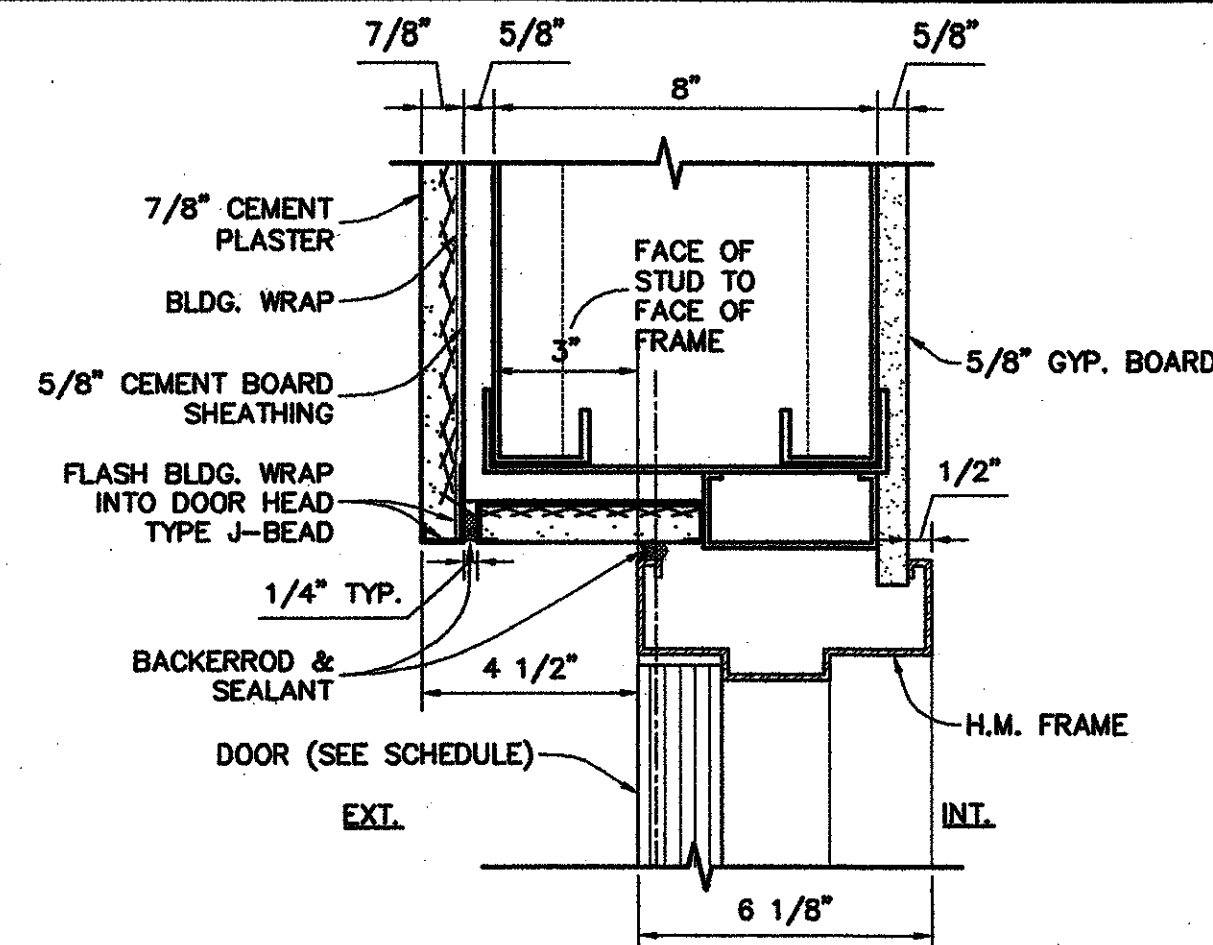
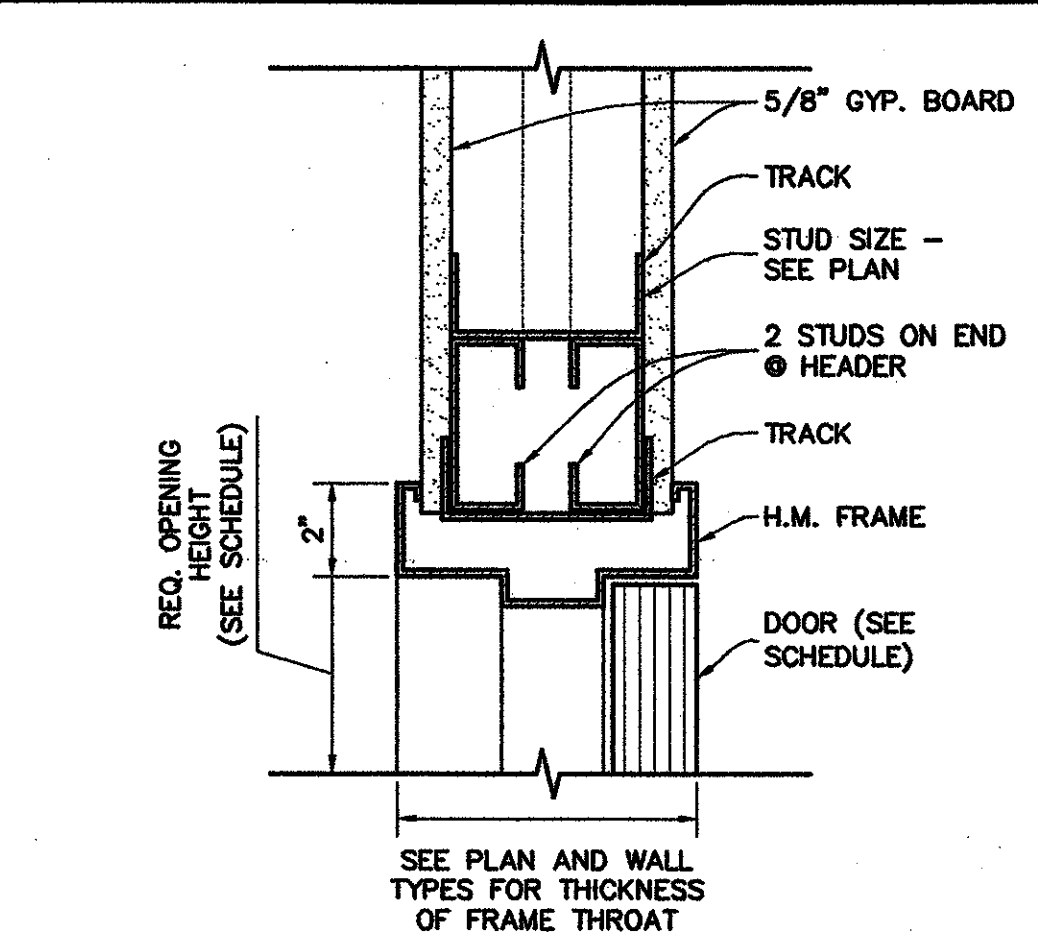


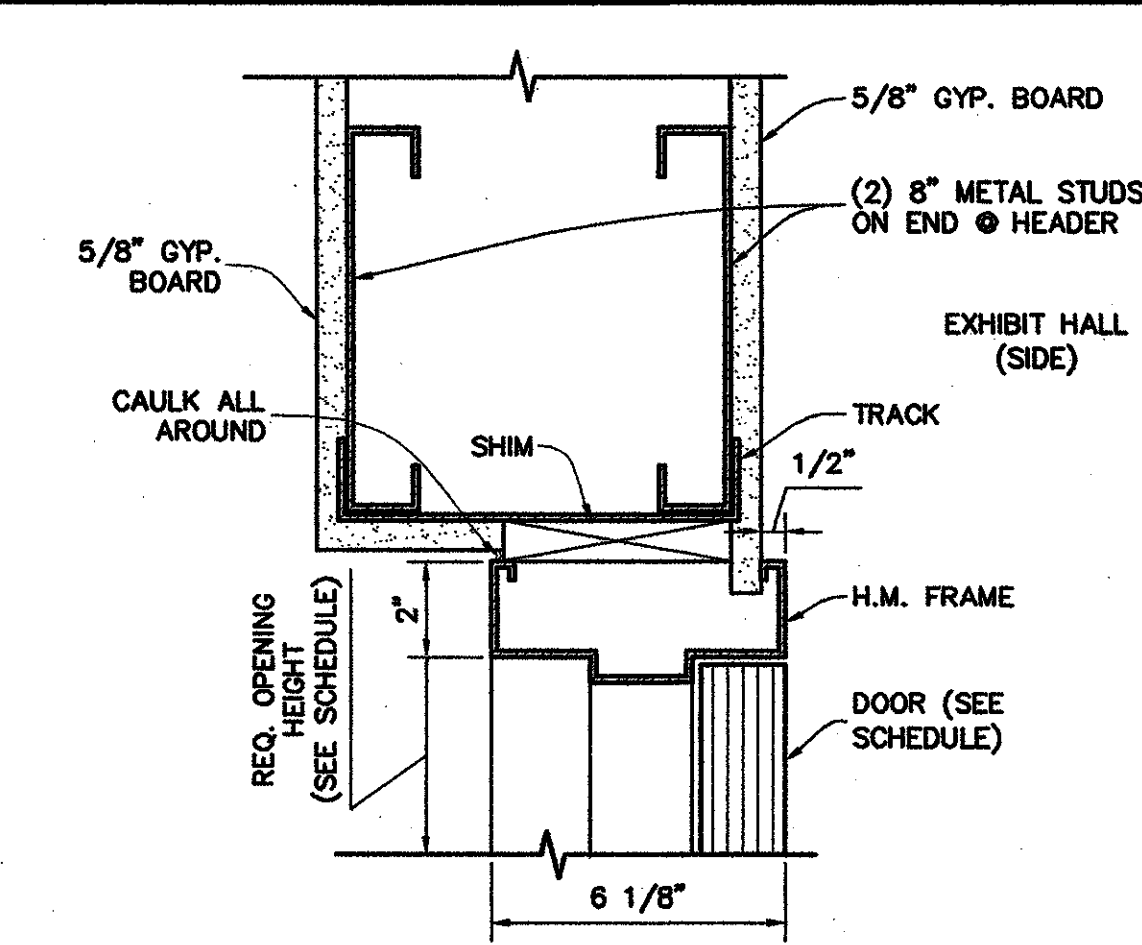
1 EXT. DOOR HEAD
A7.1 | A7.1 20-0001PFD1.dwg 3\"/>



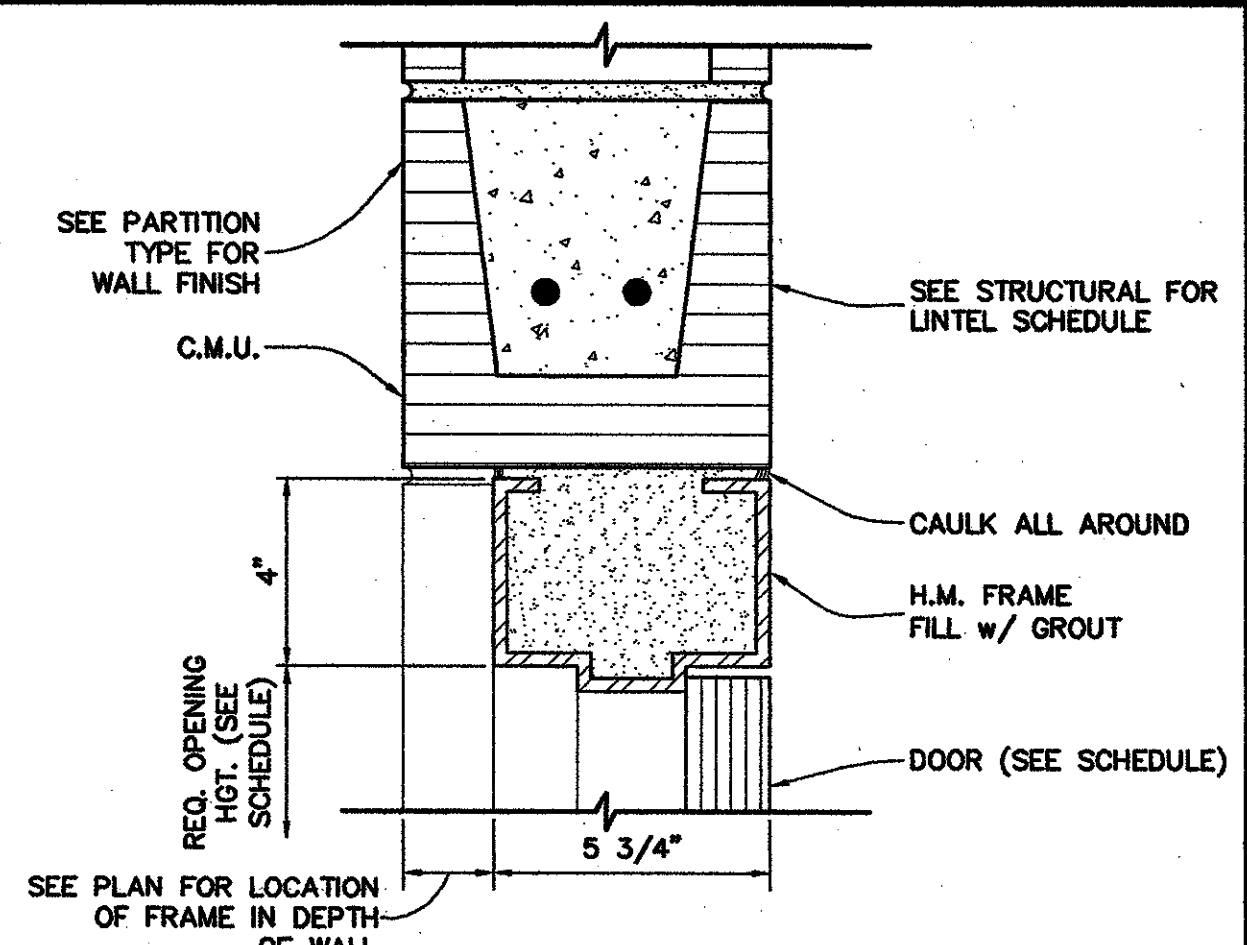
2 EXT. DOOR HEAD
A7.1 | A7.1 20-0001PFD1.dwg 3\"/>



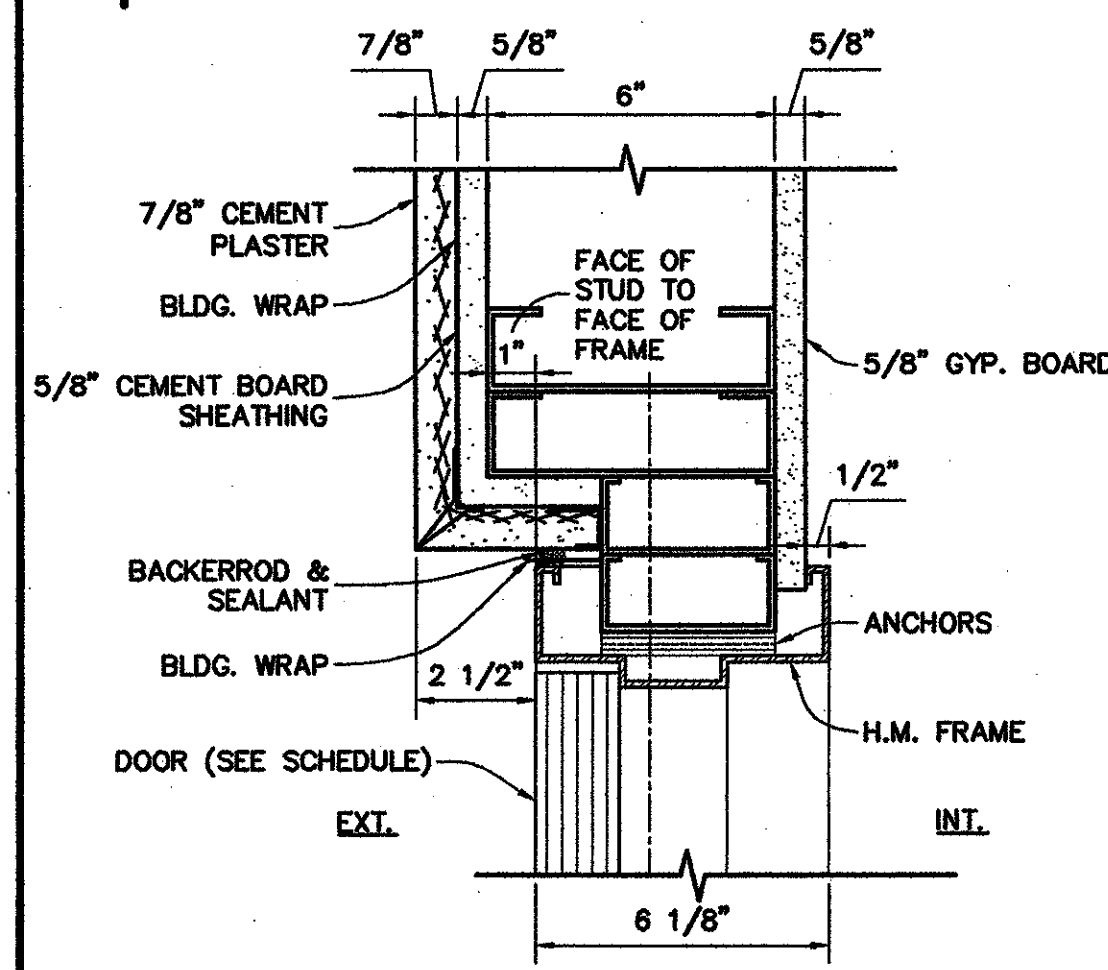
3 INTERIOR H.M. DOOR HEAD
A7.1 | A7.1 20-0001PFD1.dwg 3\"/>



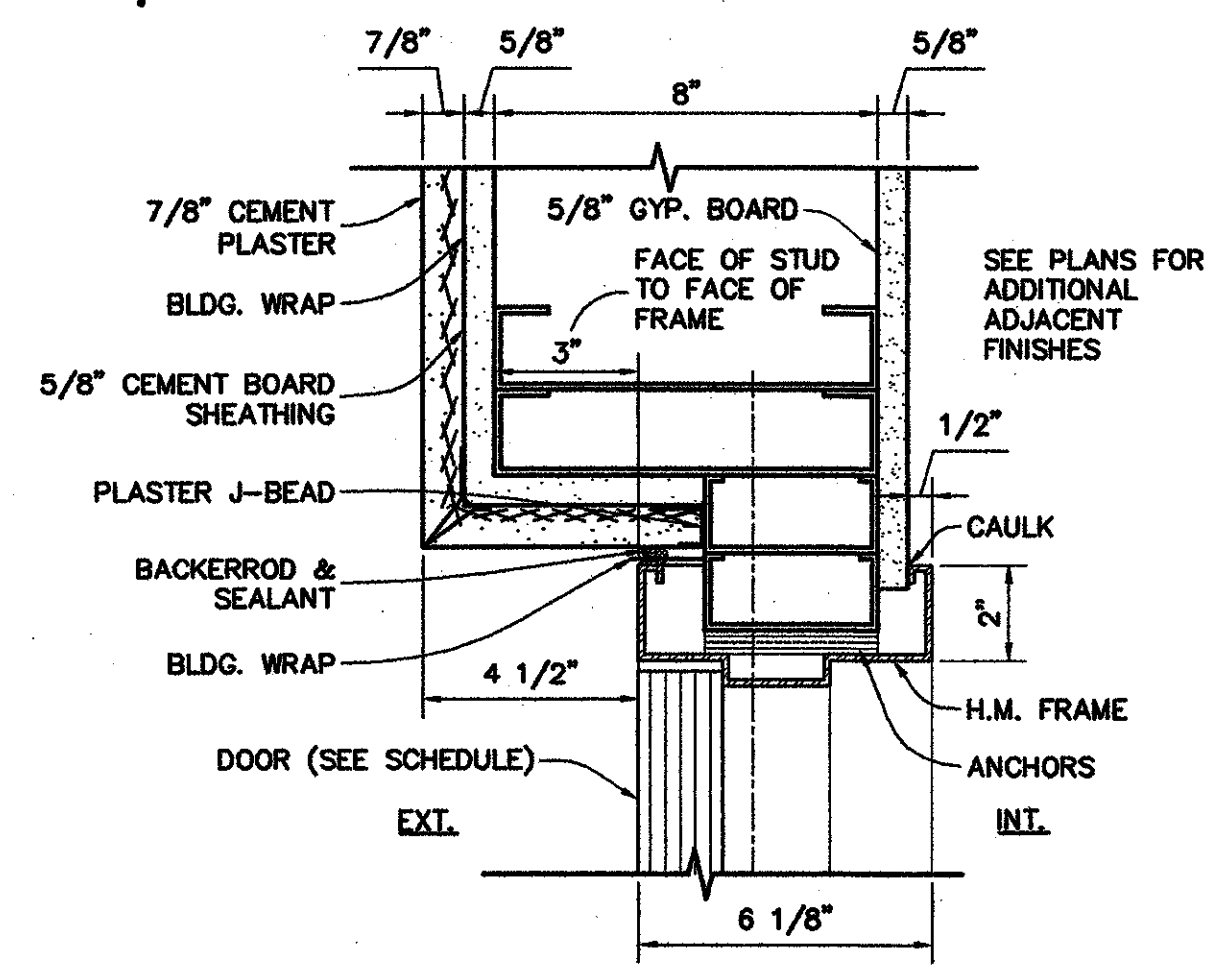
4 INTERIOR H.M. DOOR HEAD
A7.1 | A7.1 20-0001PFD1.dwg 3\"/>



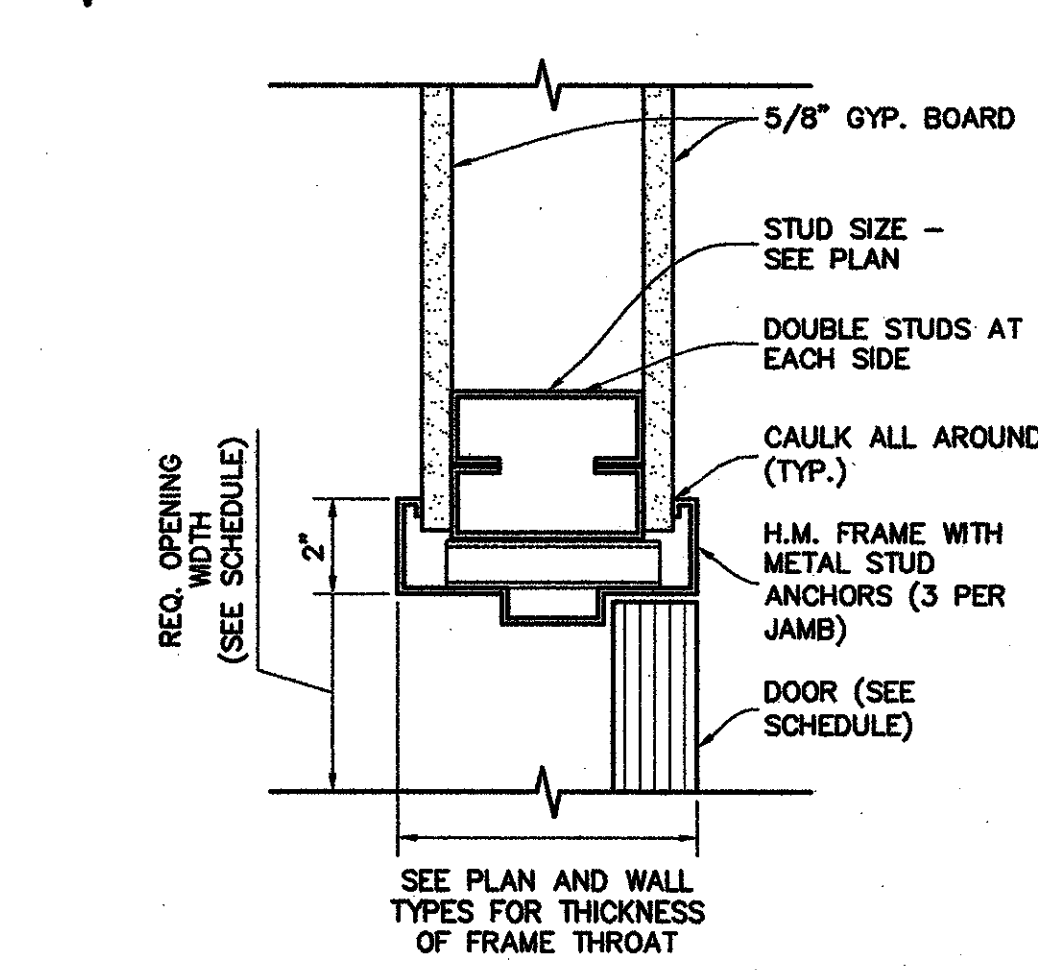
5 INTERIOR H.M. DOOR HEAD
A7.1 | A7.1 08112M01StorefrontHead.DWG 3\"/>



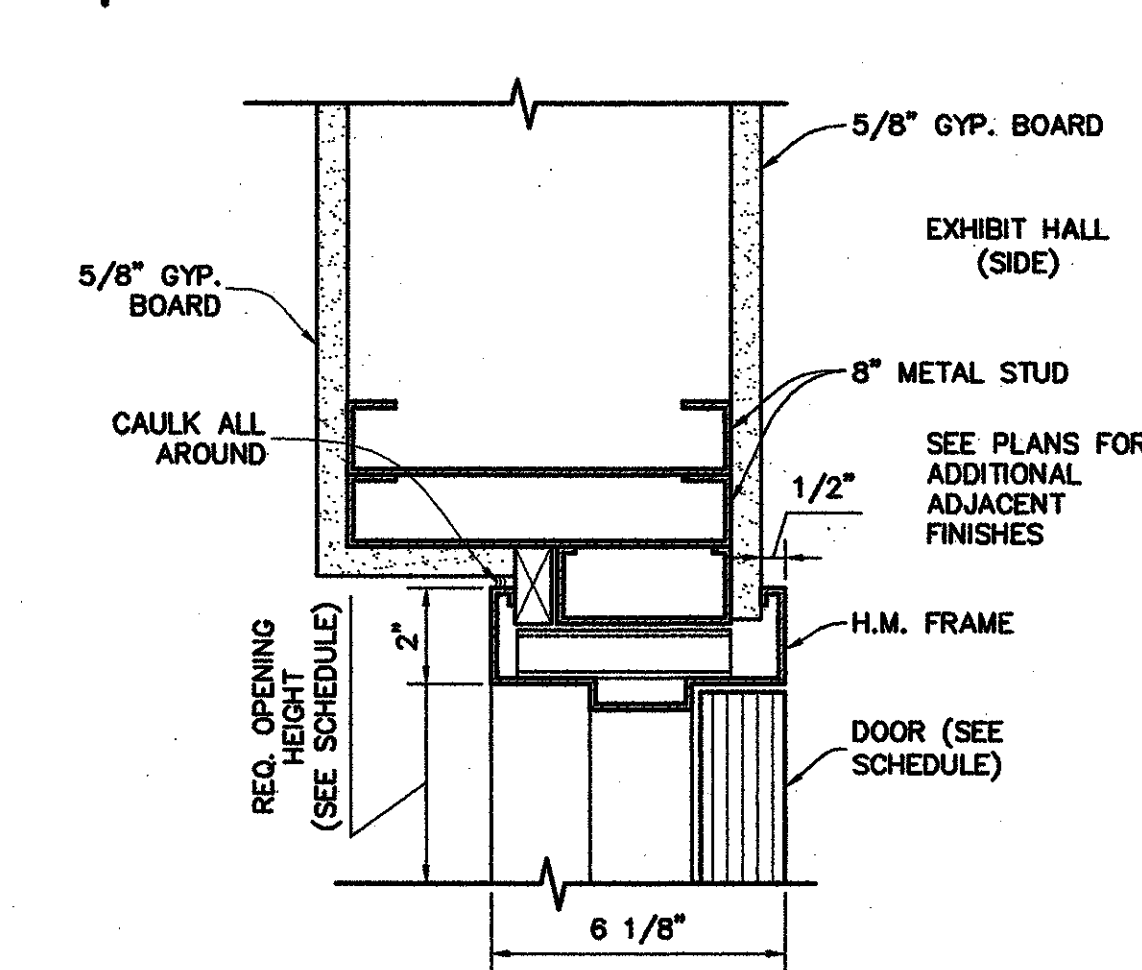
6 EXT. DOOR JAMB
A7.1 | A7.1 20-0001PFD1.dwg 3\"/>



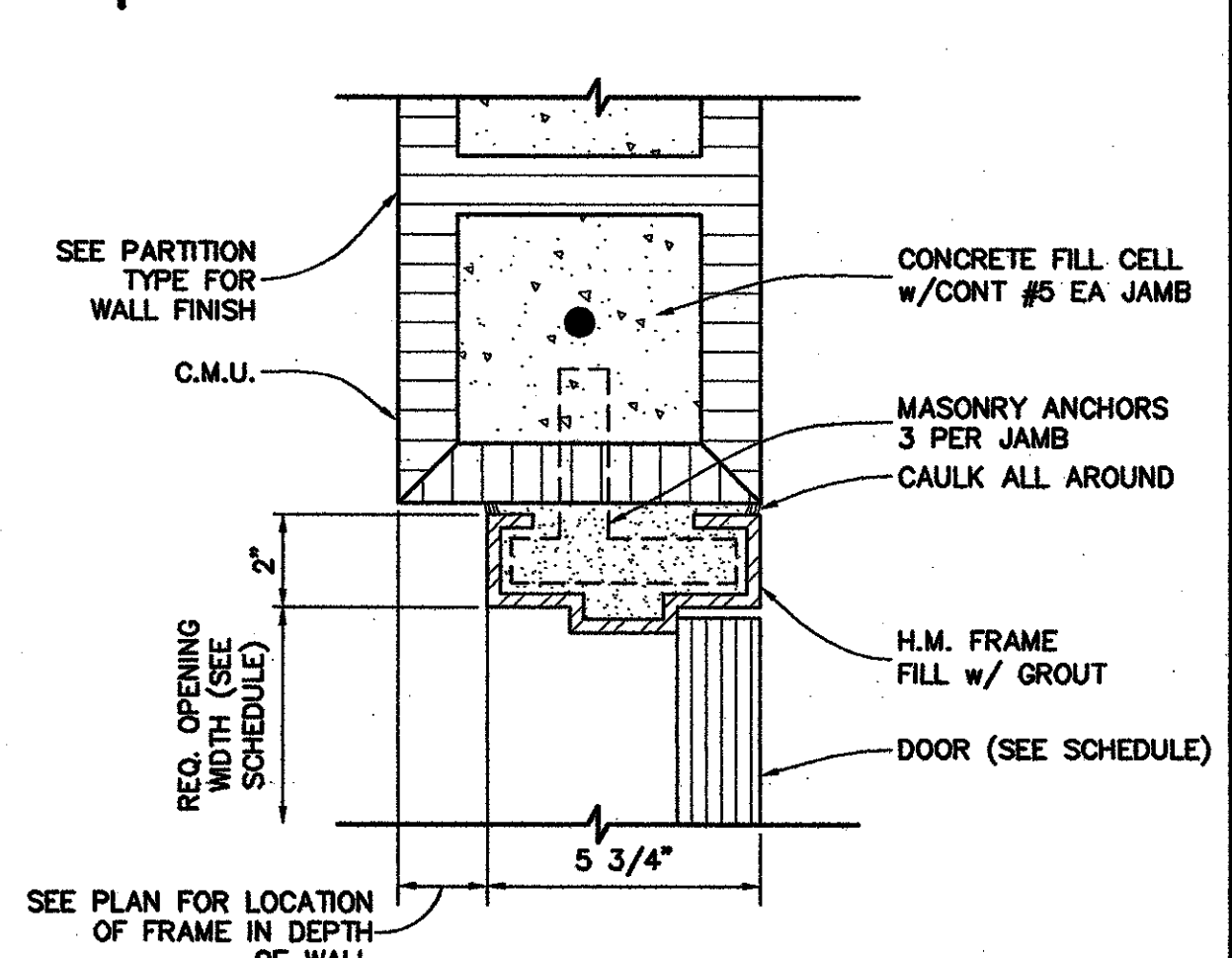
7 EXT. DOOR JAMB
A7.1 | A7.1 20-0001PFD1.dwg 3\"/>



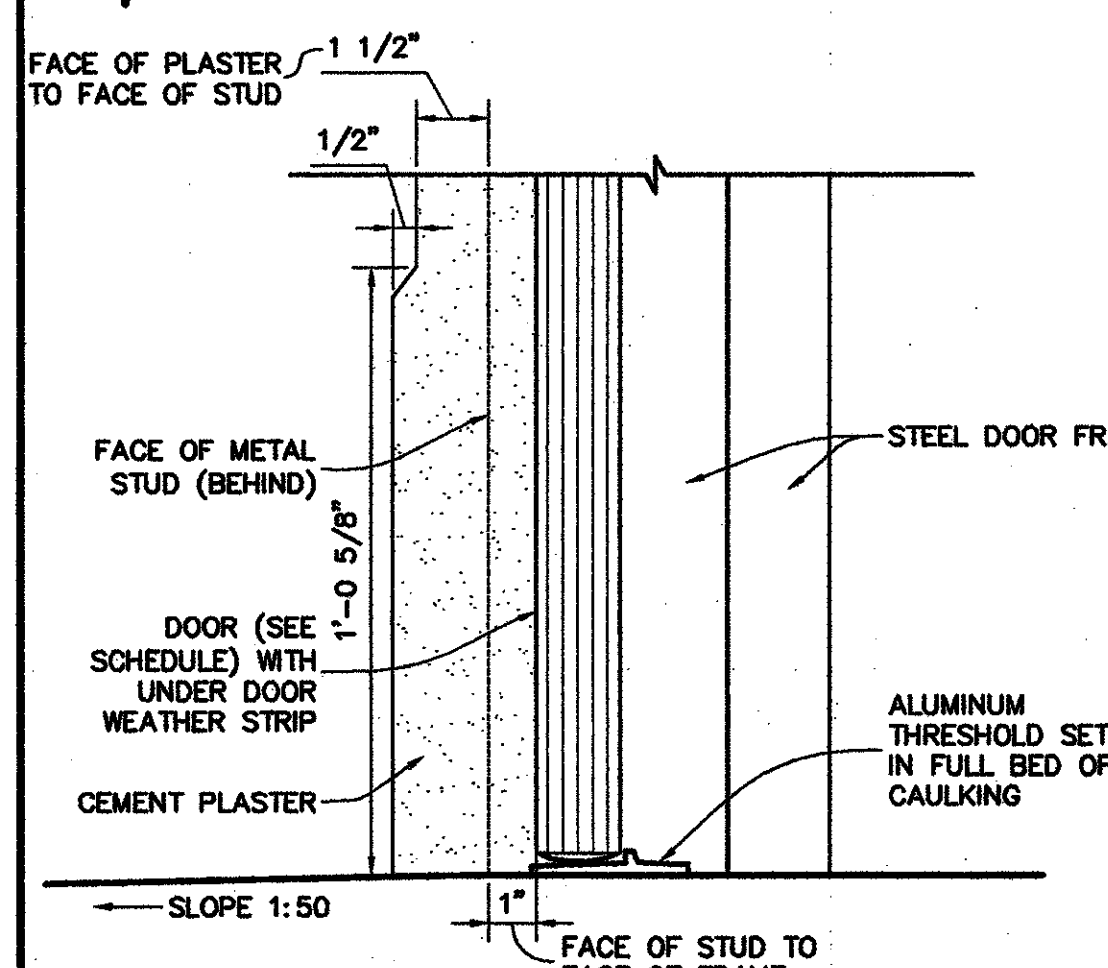
8 INTERIOR H.M. DOOR JAMB
A7.1 | A7.1 20-0001PFD1.dwg 3\"/>



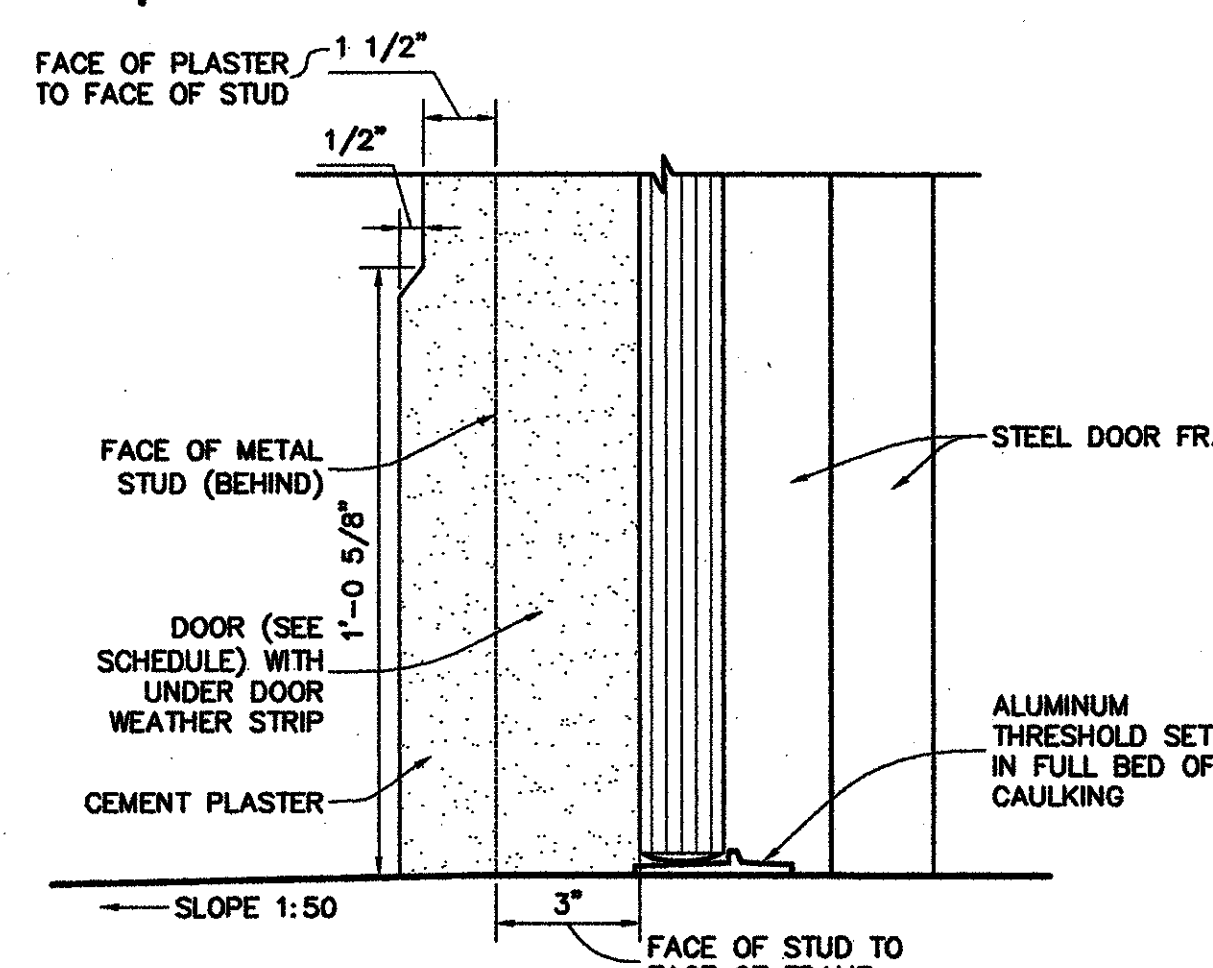
9 INTERIOR H.M. DOOR JAMB
A7.1 | A7.1 20-0001PFD1.dwg 3\"/>



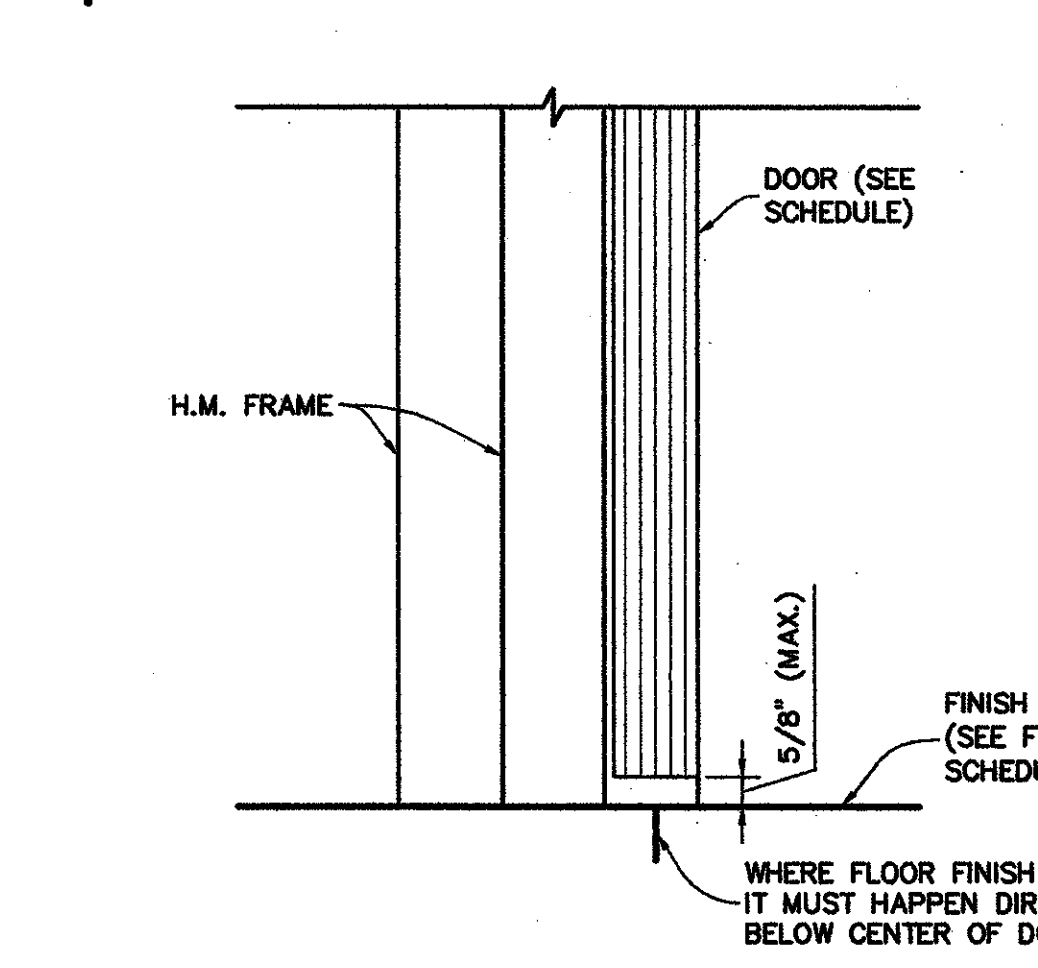
10 INTERIOR H.M. DOOR JAMB
A7.1 | A7.1 08112M01StorefrontHead.DWG 3\"/>



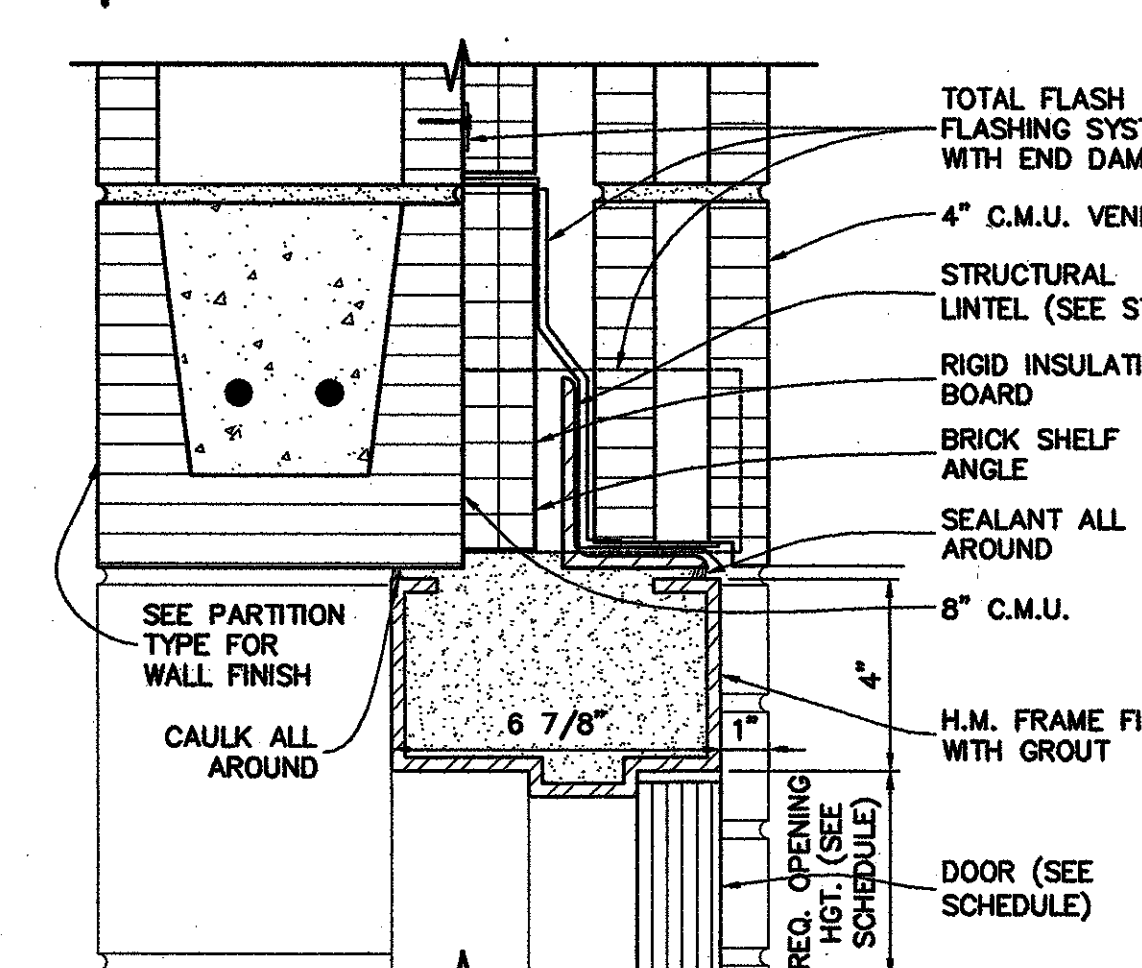
11 EXT. DOOR THRESHOLD
A7.1 | A7.1 20-0001PFD1.dwg 3\"/>



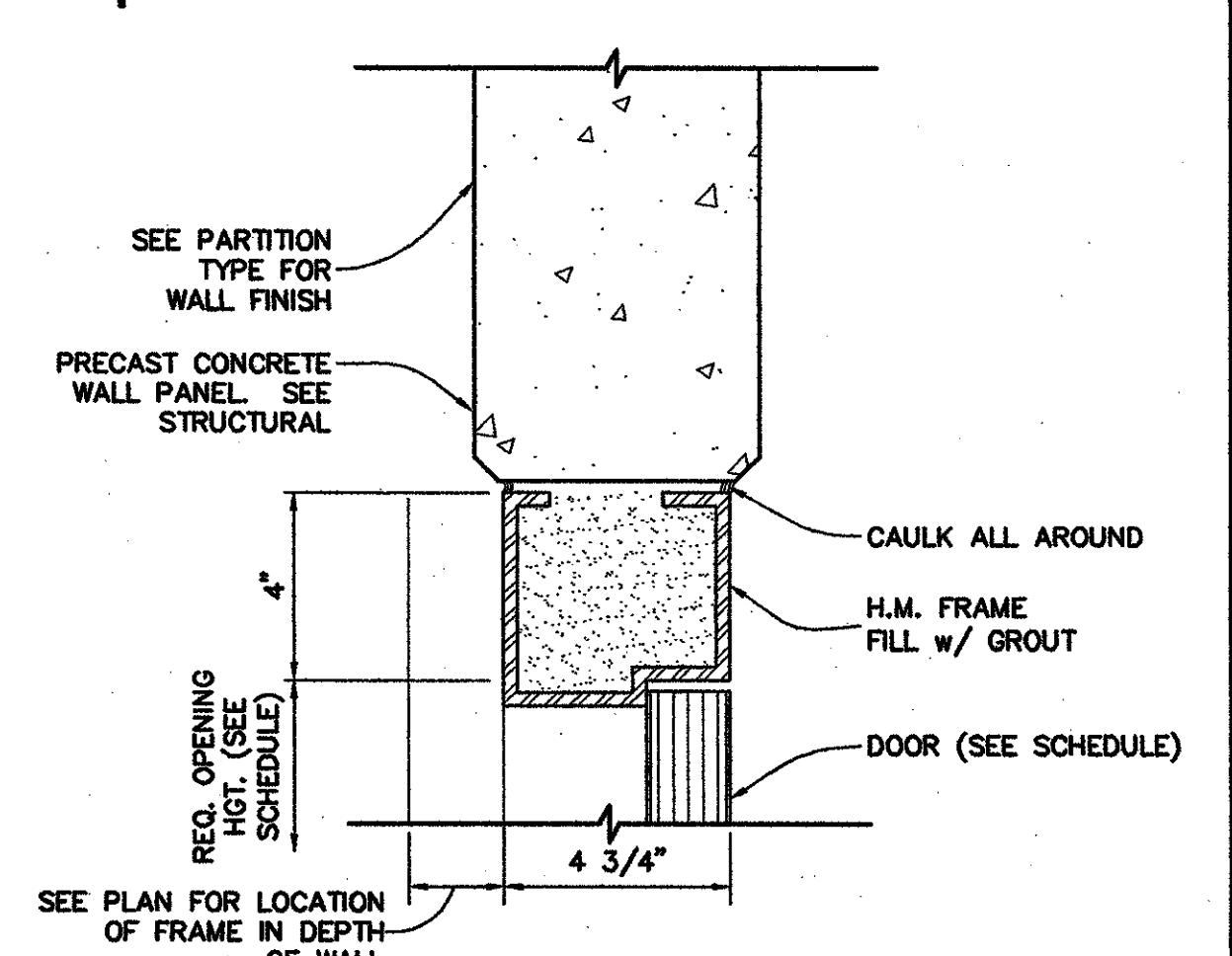
12 EXT. DOOR THRESHOLD
A7.1 | A7.1 20-0001PFD1.dwg 3\"/>



13 INTERIOR H.M. DOOR SILL
A7.1 | A7.1 20-0001PFD1.dwg 3\"/>



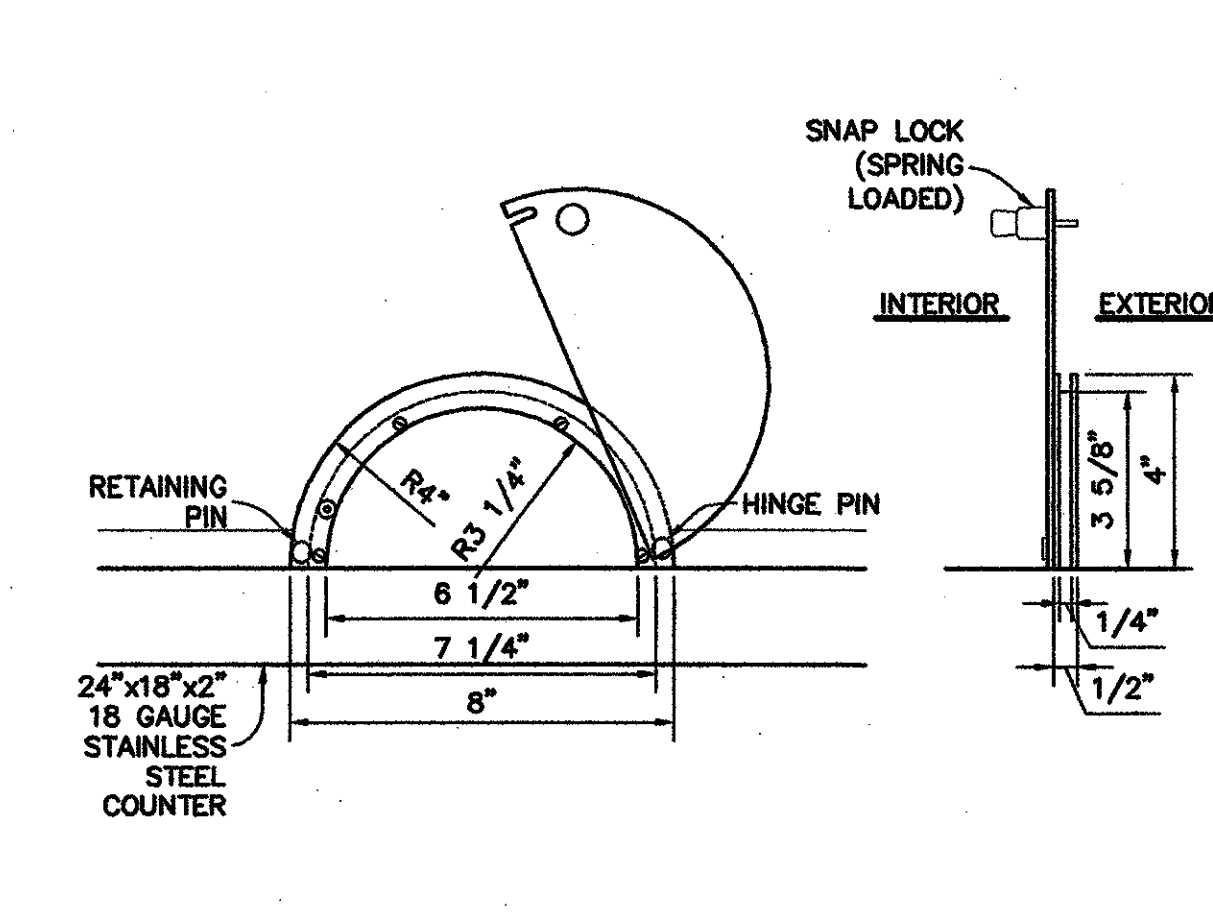
14 EXT. DOOR HEAD @ C.M.U.
A7.1 | A7.1 08112M01StorefrontHead.DWG 3\"/>



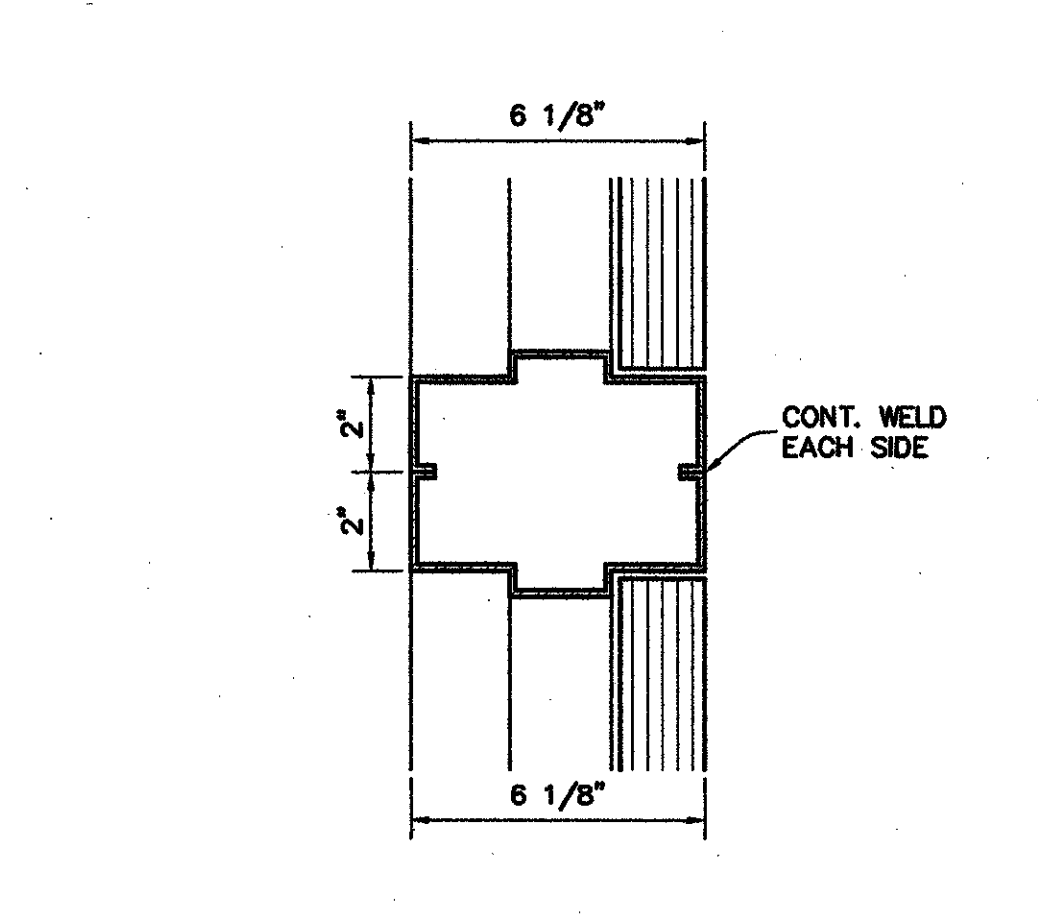
15 EXTERIOR H.M. DOOR HEAD
A7.1 | A7.1 08112M01StorefrontHead.DWG 3\"/>



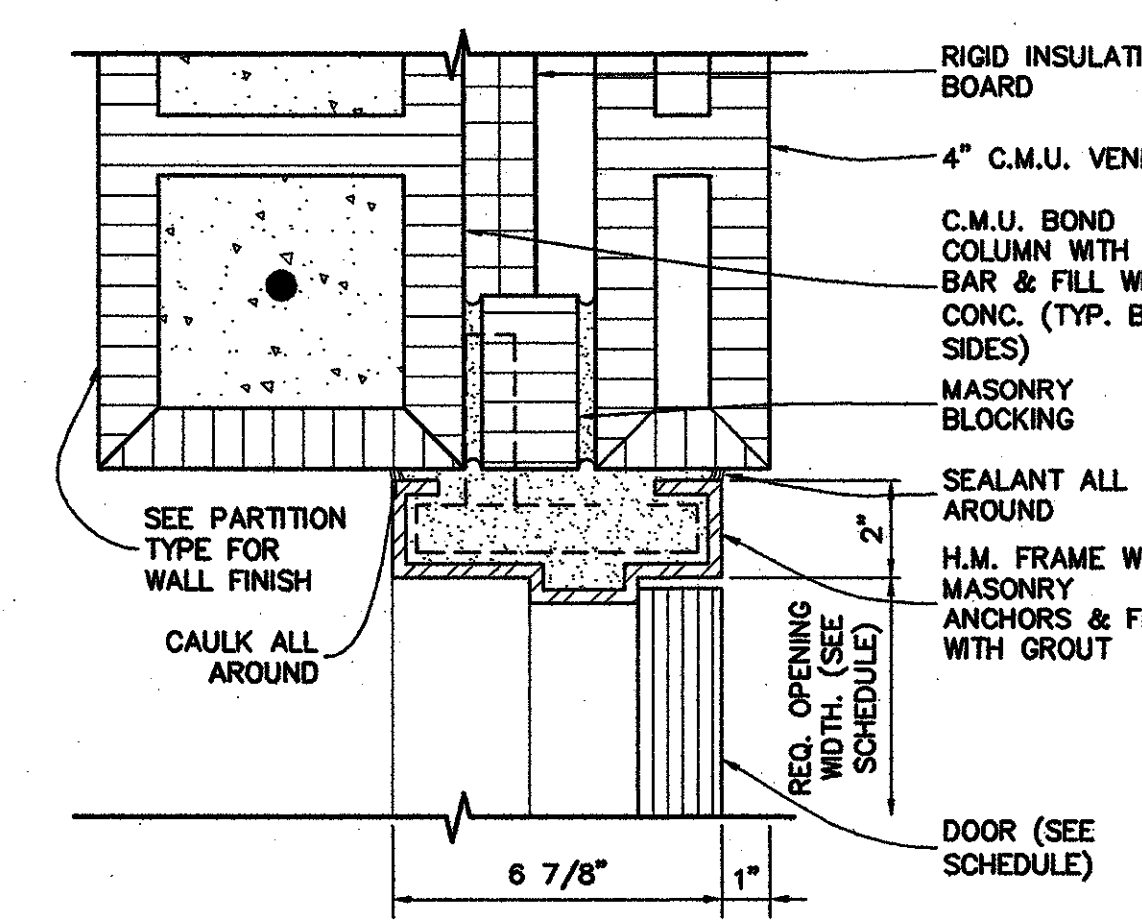
16 NOT USED
A7.1 | A7.1



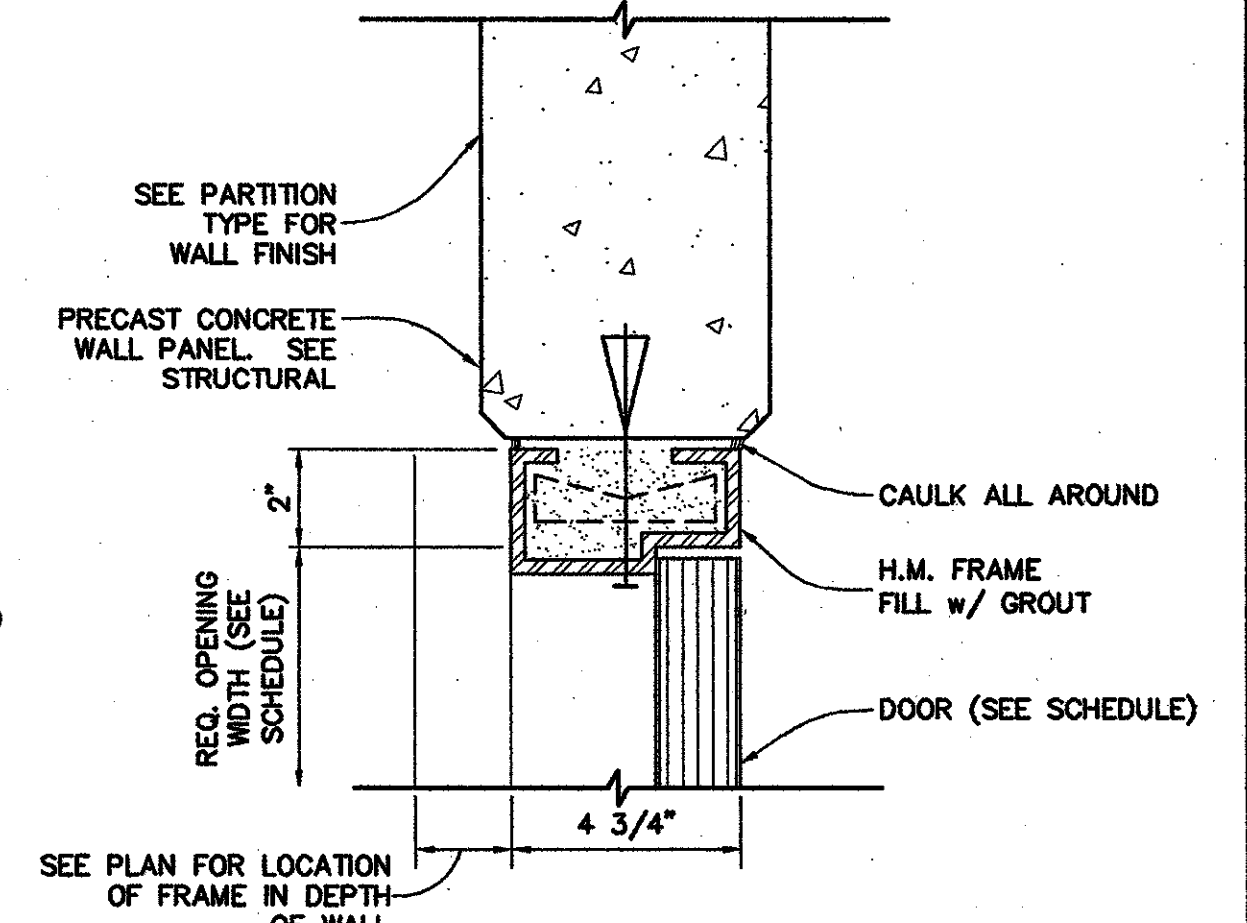
17 TICKET WINDOW OPENING
A7.1 | A7.1 20-0001PFD1.dwg 3\"/>



18 INTERIOR H.M. DOOR JAMB
A7.1 | A7.1 20-0001PFD1.dwg 3\"/>



19 EXT. DOOR JAMB @ C.M.U.
A7.1 | A7.1 08112M02StorefrontJamb.DWG 3\"/>



20 EXTERIOR H.M. DOOR JAMB
A7.1 | A7.1 08112M01StorefrontHead.DWG 3\"/>

project no. 20-0901
drawn JBS, JDR, EGA
checked JJP
date 01.15.2010
revised

MEYER ENGINEERS, LTD.
ENGINEER & ARCHITECT

OPENING DETAILS
VAL RISS PARK
MULTI-PURPOSE BUILDING
ST. BERNARD PARISH, OWNER

H:\Projects\Arch\20-0901\20-0901\Drawings\Construction Docs\20-0901 A7.1.dwg