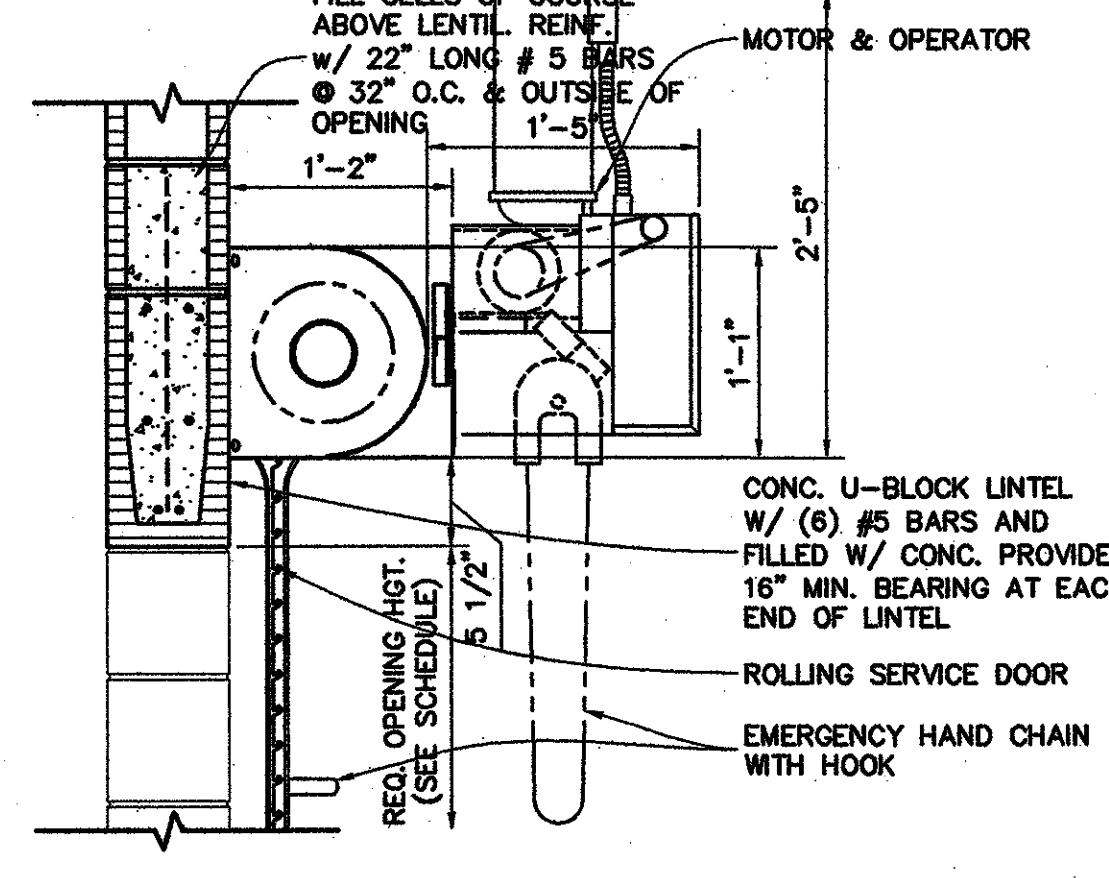
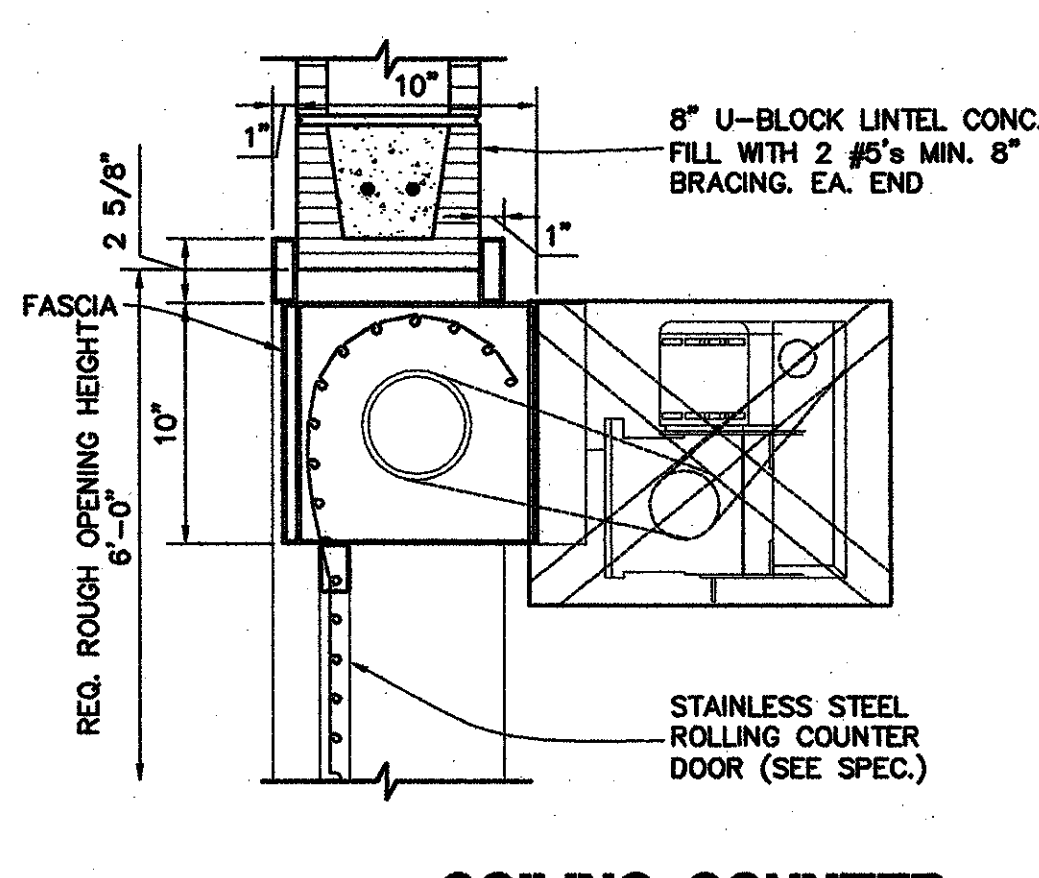


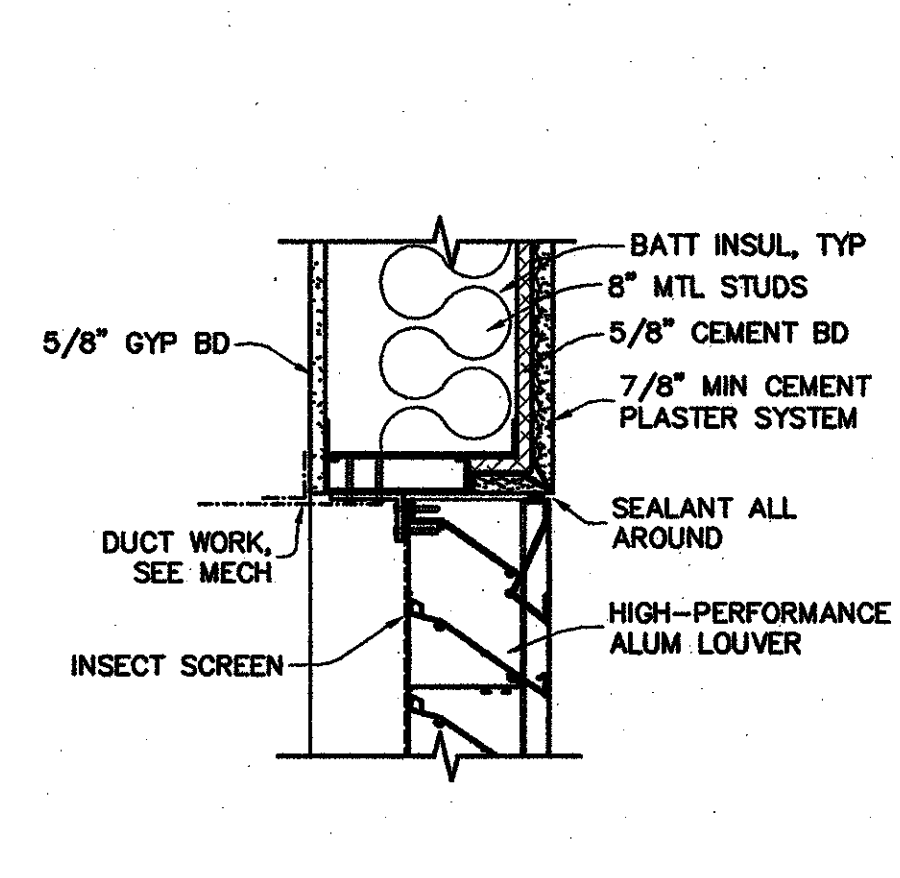
**1 EXT. SERVICE DOOR HEAD**  
A8.1/A7.2 0000000000.DWG T-1-0'



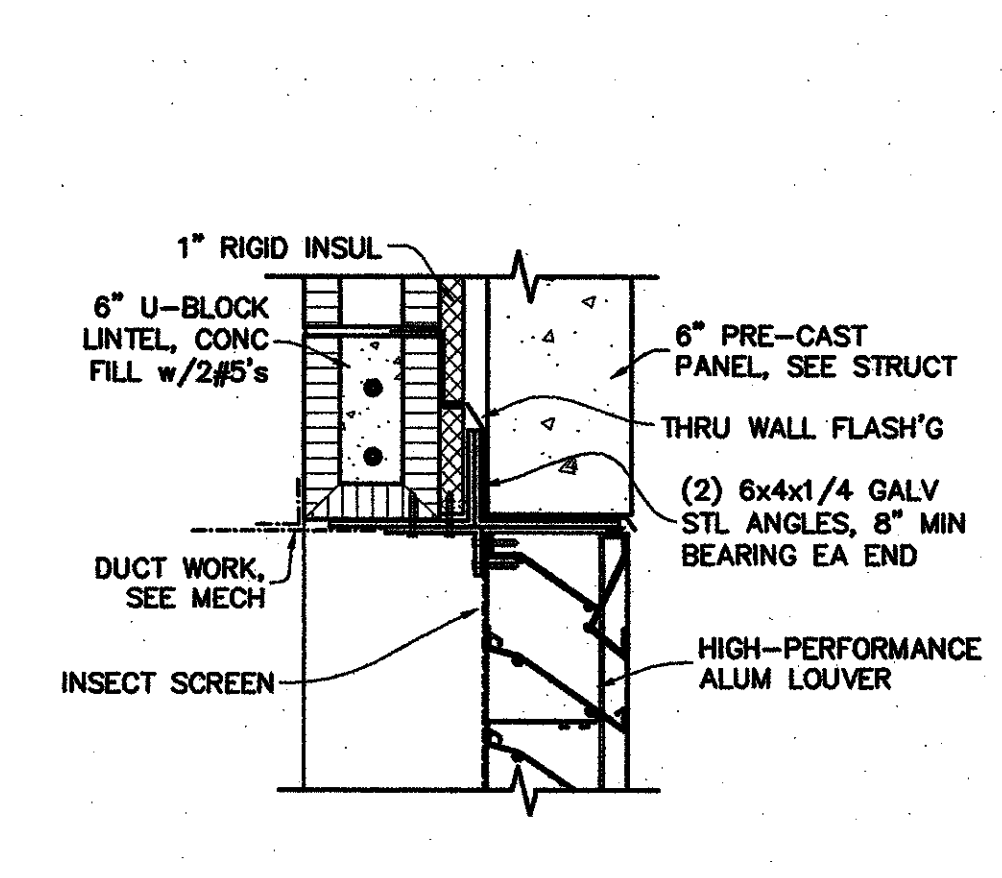
**2 INT. SERVICE DOOR HEAD**  
A8.1/A7.2 0000000000.DWG T-1-0'



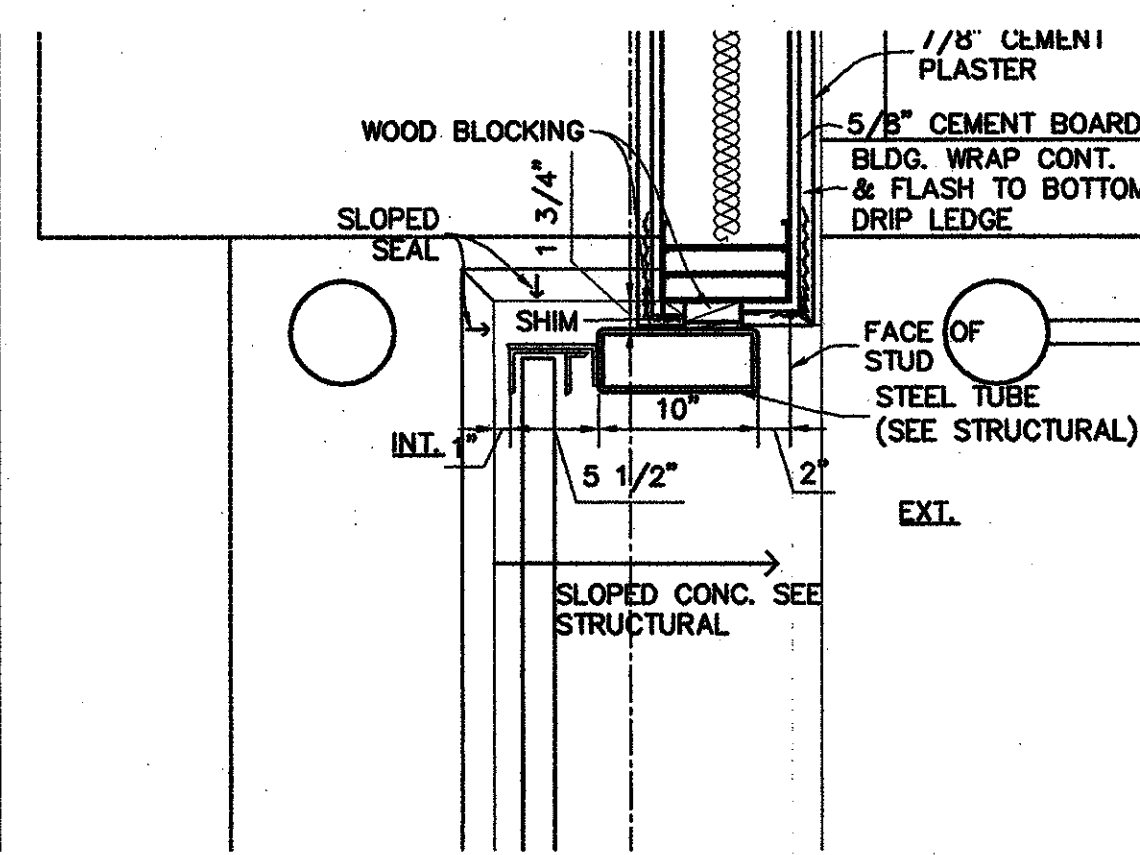
**3 COILING COUNTER SHUTTER HEAD**  
A8.1/A7.2 00010167CoilingCounterShutterHead.DWG T-1/2'-1-0'



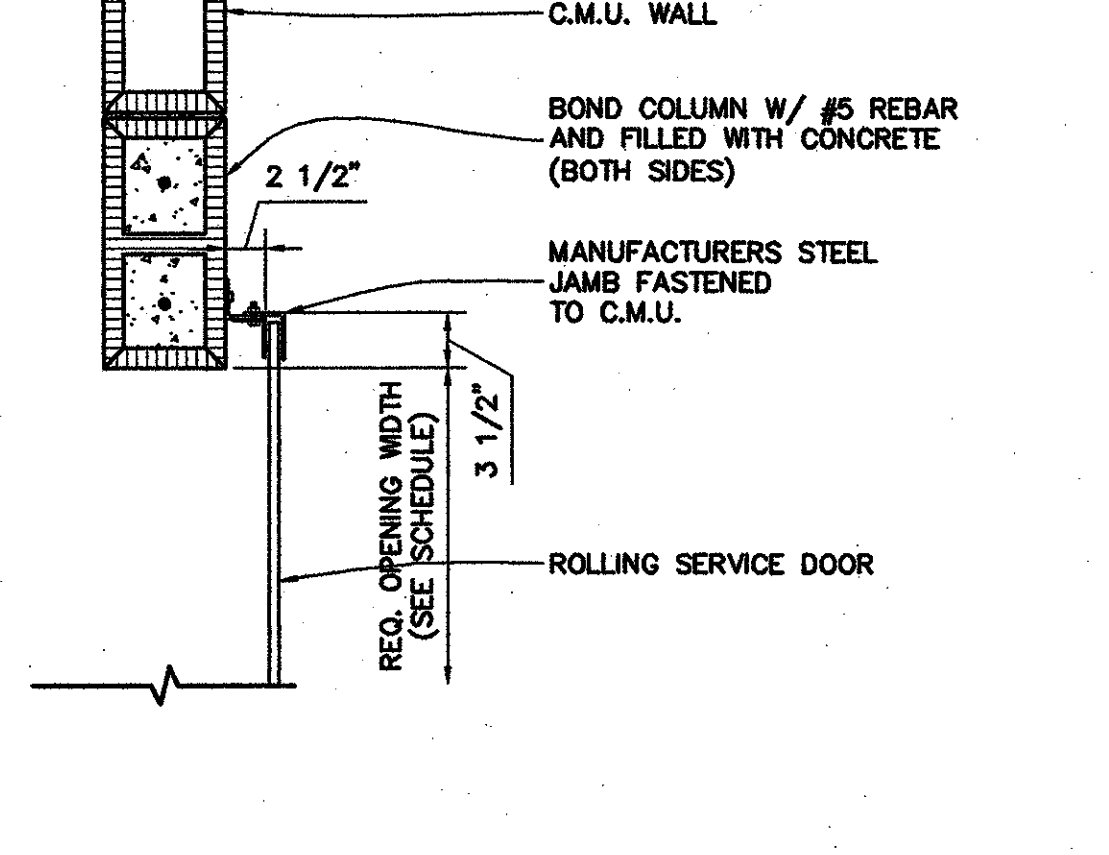
**4 LOUVER HEAD DETAIL**  
A8.1/A7.2 1 1/2' - 1-0'



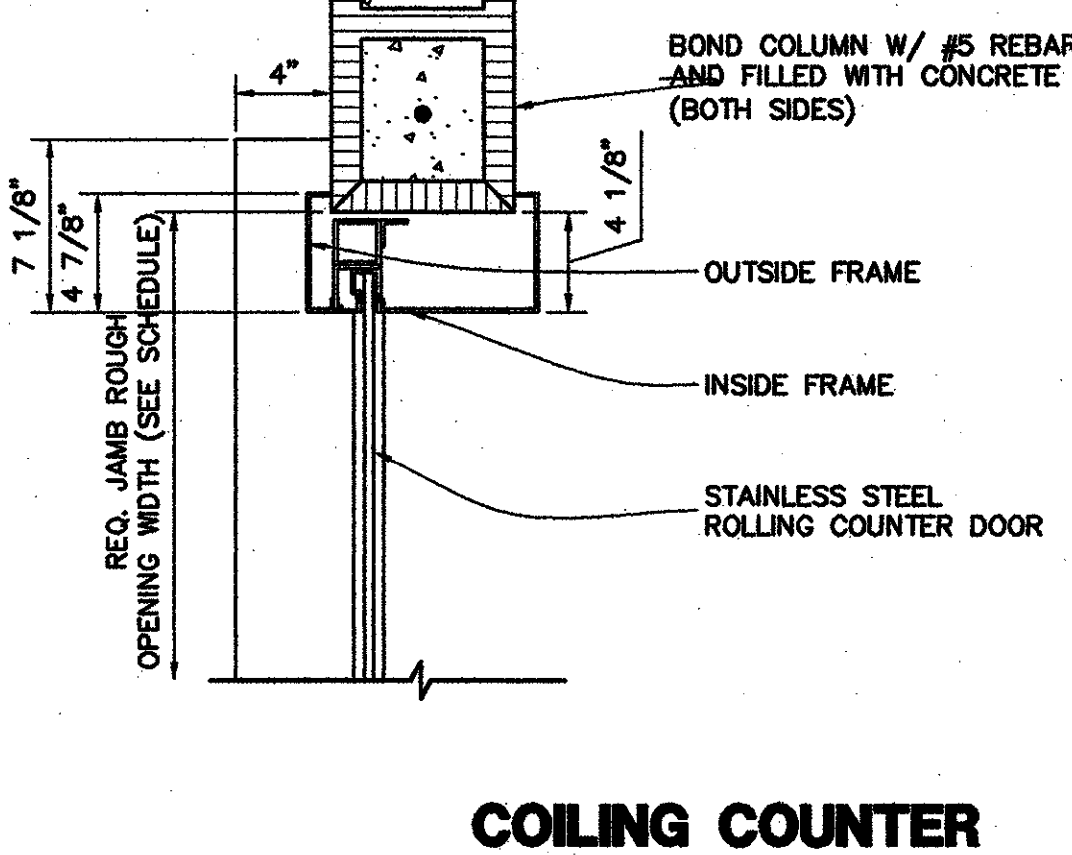
**5 LOUVER HEAD DETAIL**  
A8.1/A7.2 1 1/2' - 1-0'



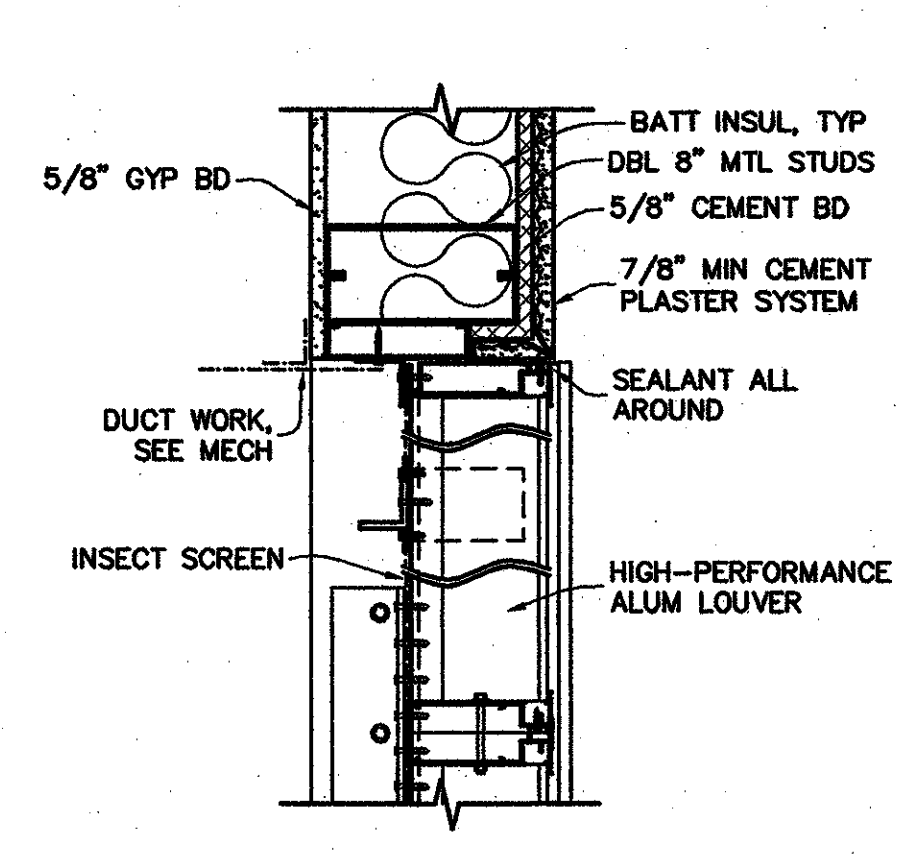
**6 EXT. SERVICE DOOR JAMB**  
A8.1/A7.2 T-1-0'



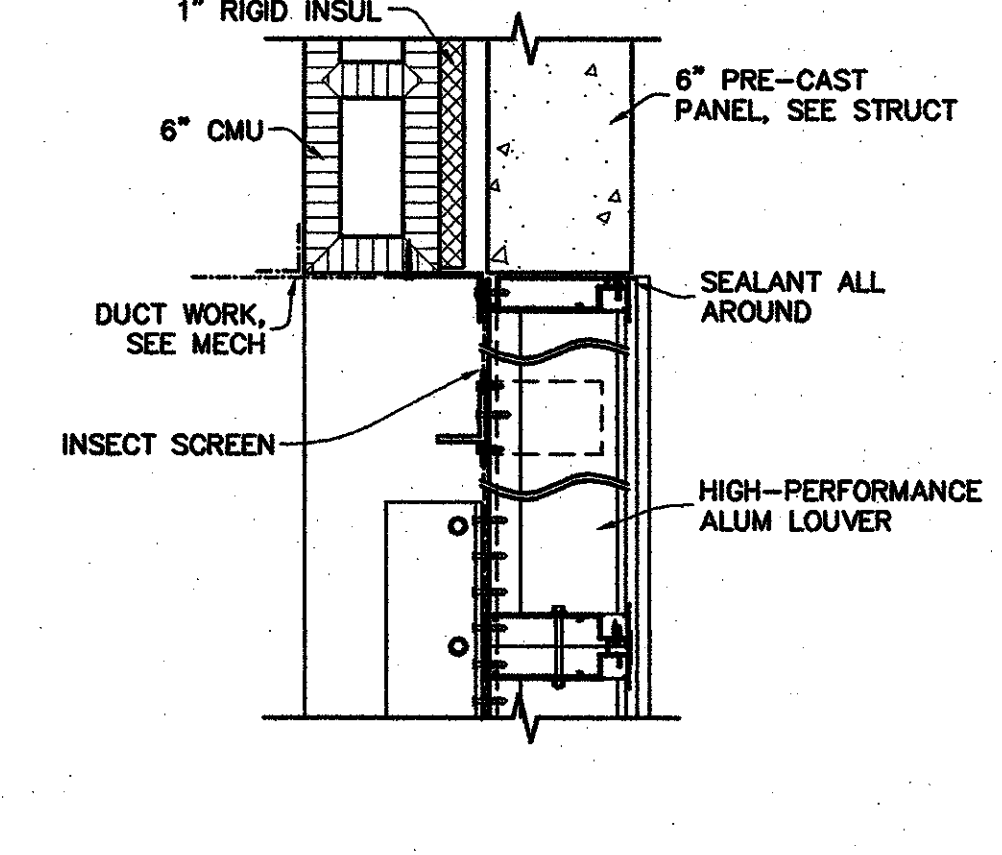
**7 INT. SERVICE DOOR JAMB**  
A8.1/A7.2 T-1-0'



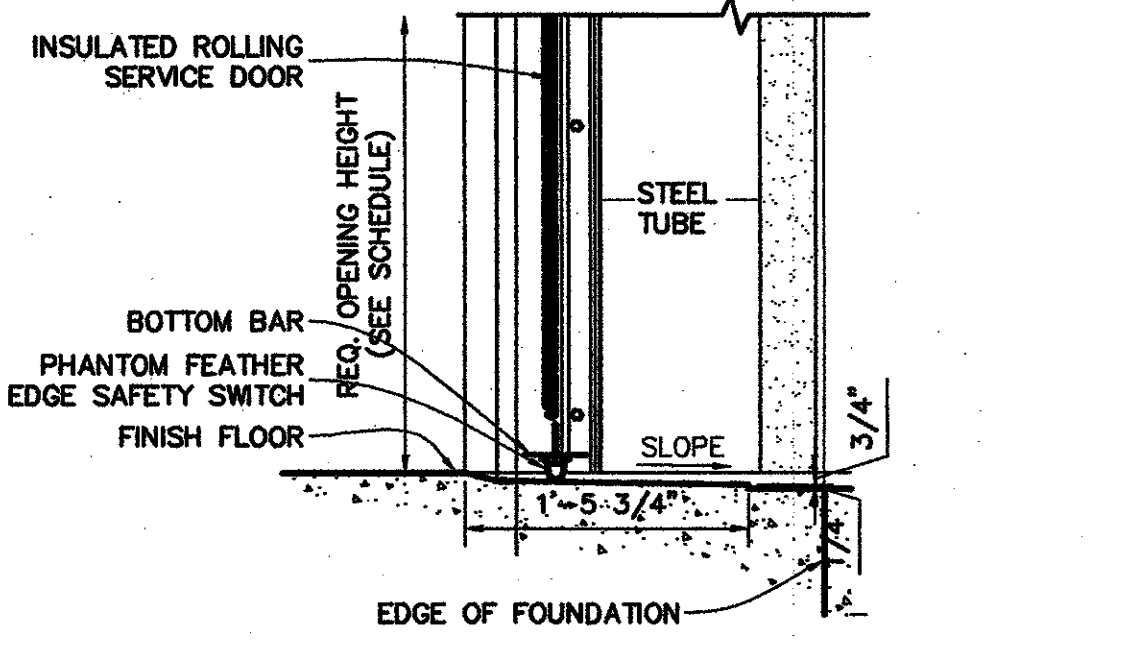
**8 COILING COUNTER SHUTTER JAMB**  
A8.1/A7.2 00010169CoilingCounterShutterJamb.DWG T-1/2'-1-0'



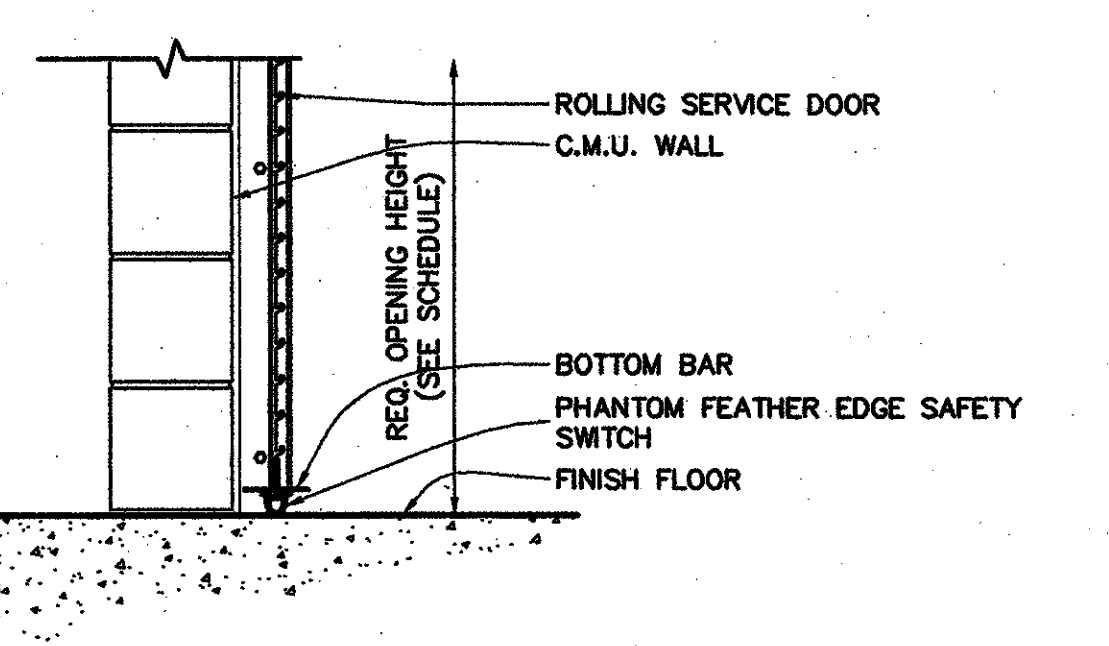
**9 LOUVER JAMB DETAIL**  
A8.1/A7.2 1 1/2' - 1-0'



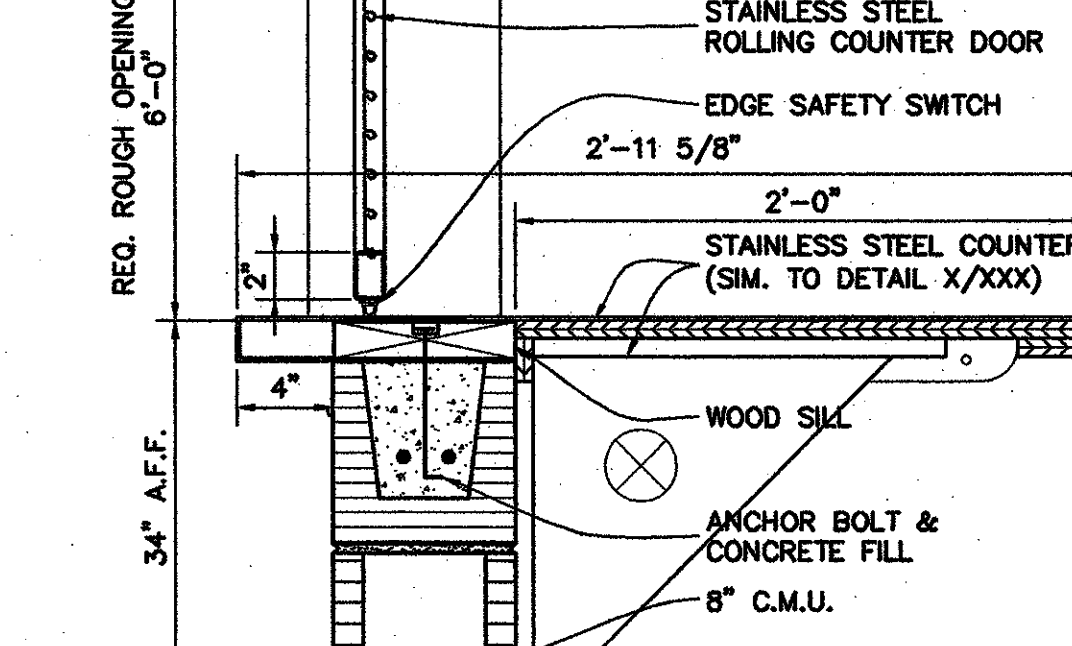
**10 LOUVER JAMB DETAIL**  
A8.1/A7.2 1 1/2' - 1-0'



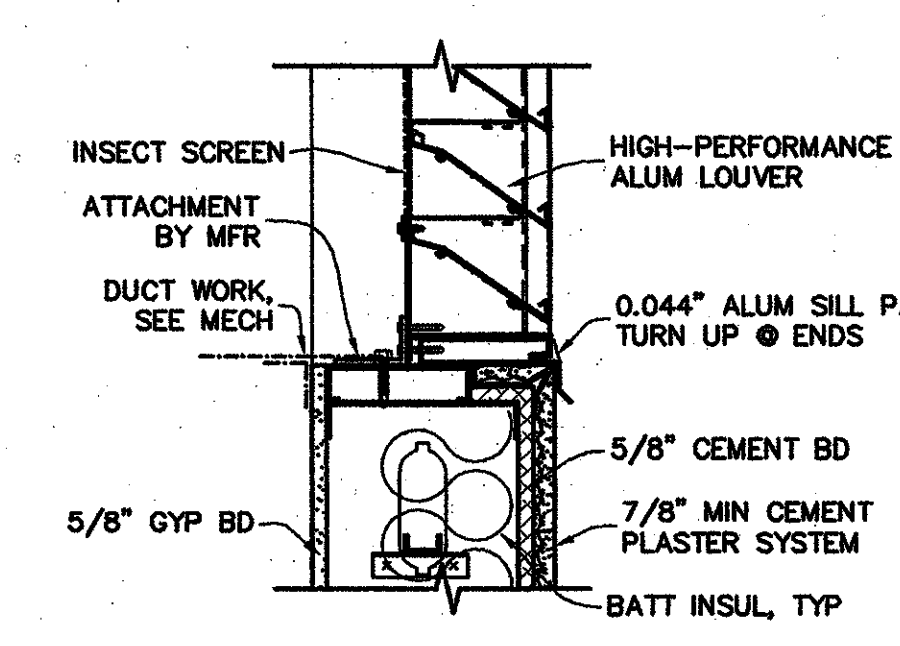
**11 EXT. SERVICE DOOR SILL**  
A8.1/A7.2 T-1-0'



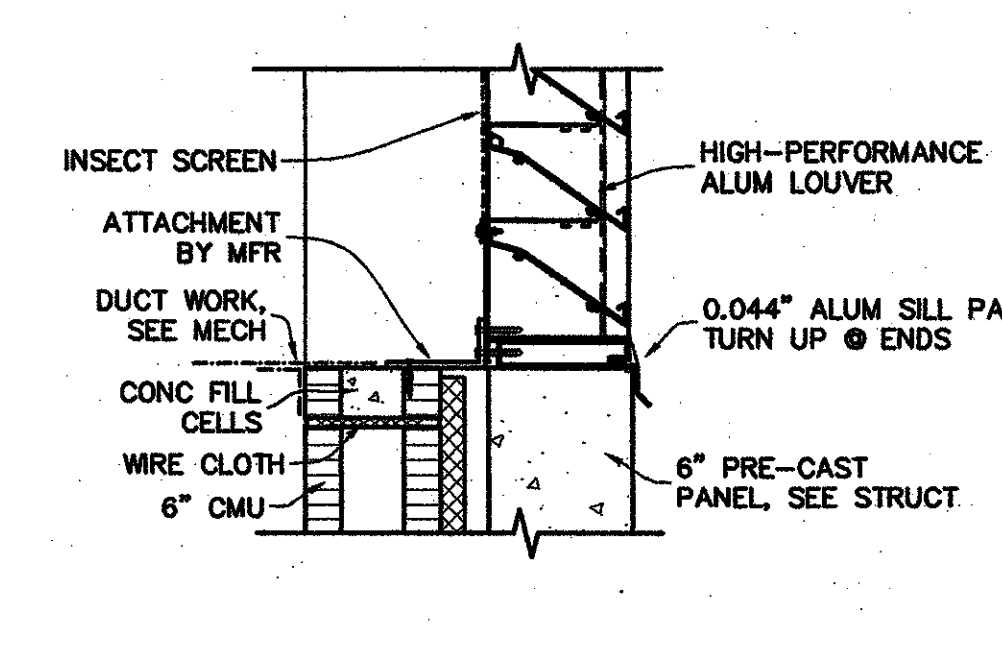
**12 INT. SERVICE DOOR SILL**  
A8.1/A7.2 T-1-0'



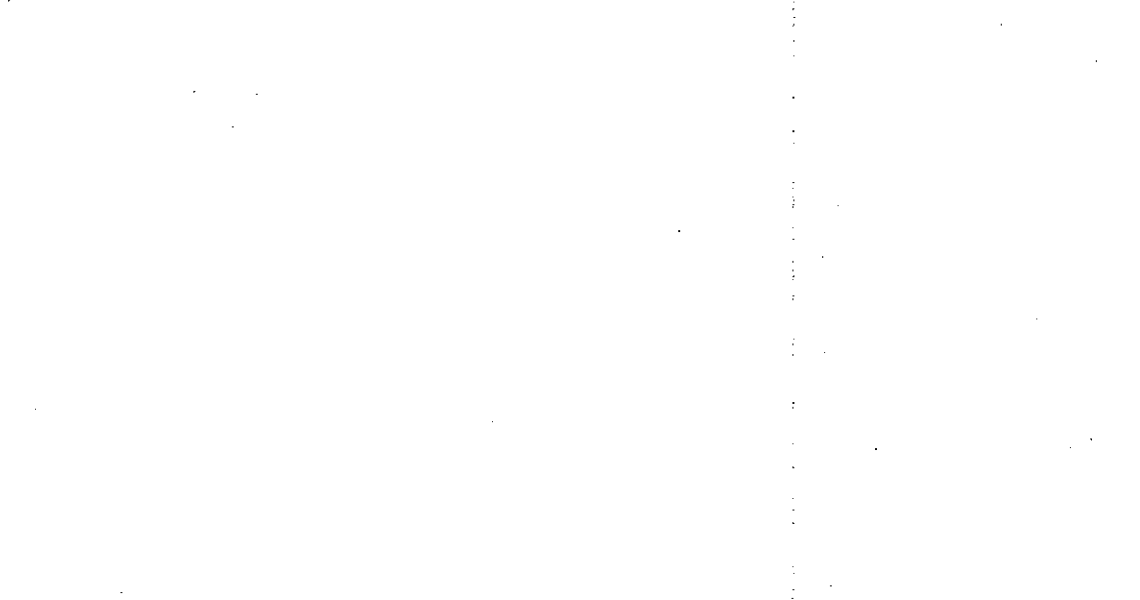
**13 COILING COUNTER SHUTTER SILL**  
A8.1/A7.2 00010169CoilingCounterShutterSill.DWG T-1/2'-1-0'



**14 LOUVER SILL DETAIL**  
A8.1/A7.2 1 1/2' - 1-0'



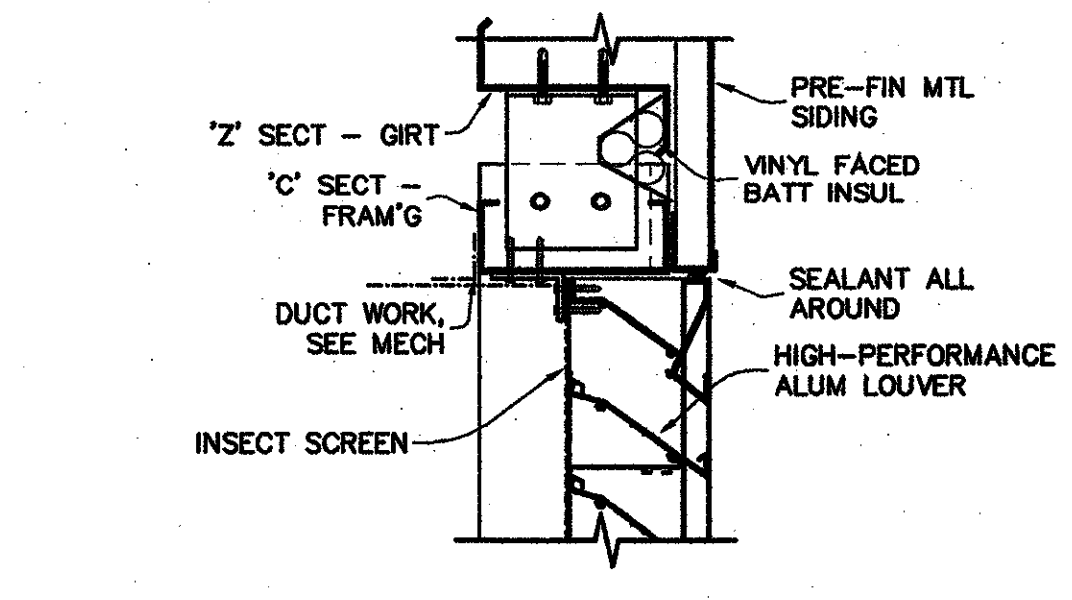
**15 LOUVER SILL DETAIL**  
A8.1/A7.2 1 1/2' - 1-0'



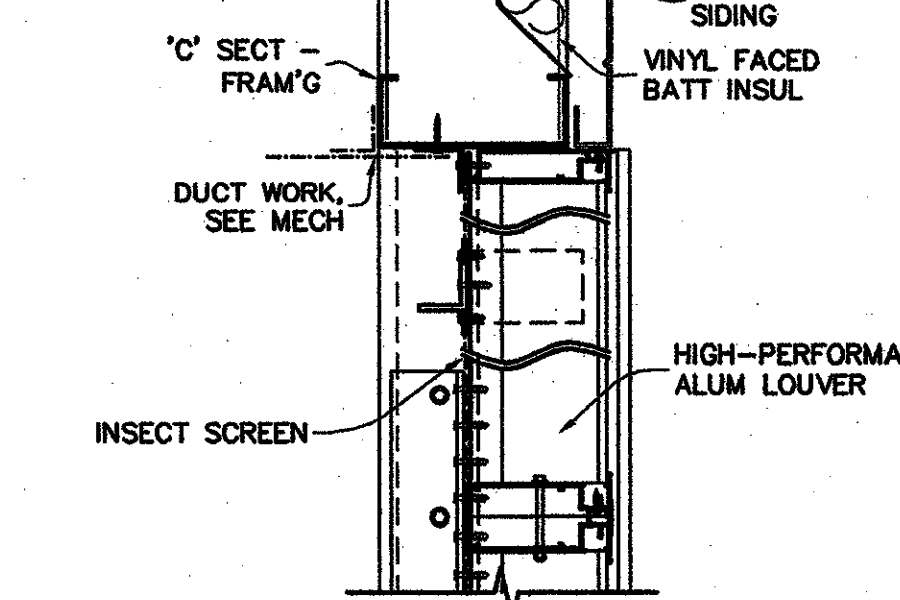
**16 NOT USED**  
A8.1/A7.2 T-1-0'



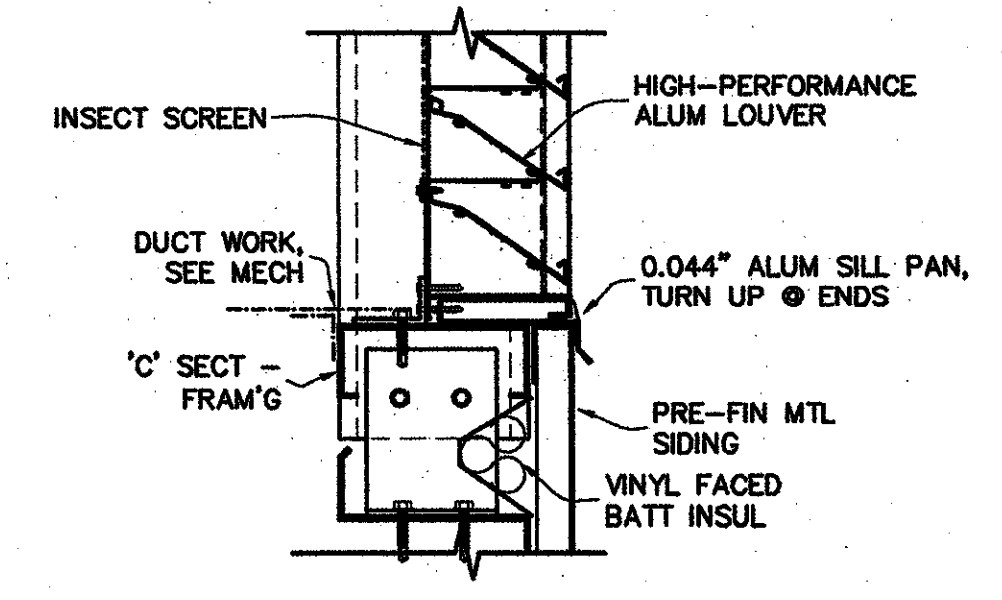
**17 NOT USED**  
A8.1/A7.2 T-1-0'



**18 LOUVER HEAD DETAIL**  
A8.2/A7.2 1 1/2' - 1-0'

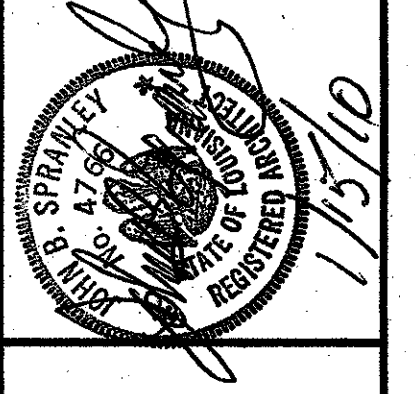


**19 LOUVER JAMB DETAIL**  
A8.2/A7.2 1 1/2' - 1-0'



**20 LOUVER SILL DETAIL**  
A8.2/A7.2 1 1/2' - 1-0'

project no. 20-0901  
EGA  
JUP  
checked  
date 01.15.2010  
revised



**MEYER ENGINEERS, LTD.**  
ENGINEER & ARCHITECT

**OPENING DETAILS**  
VAL RISS PARK  
MULTI-PURPOSE BUILDING  
ST. BERNARD PARISH, OWNER

sheet no. **A7.2**  
of \_\_\_ sheets