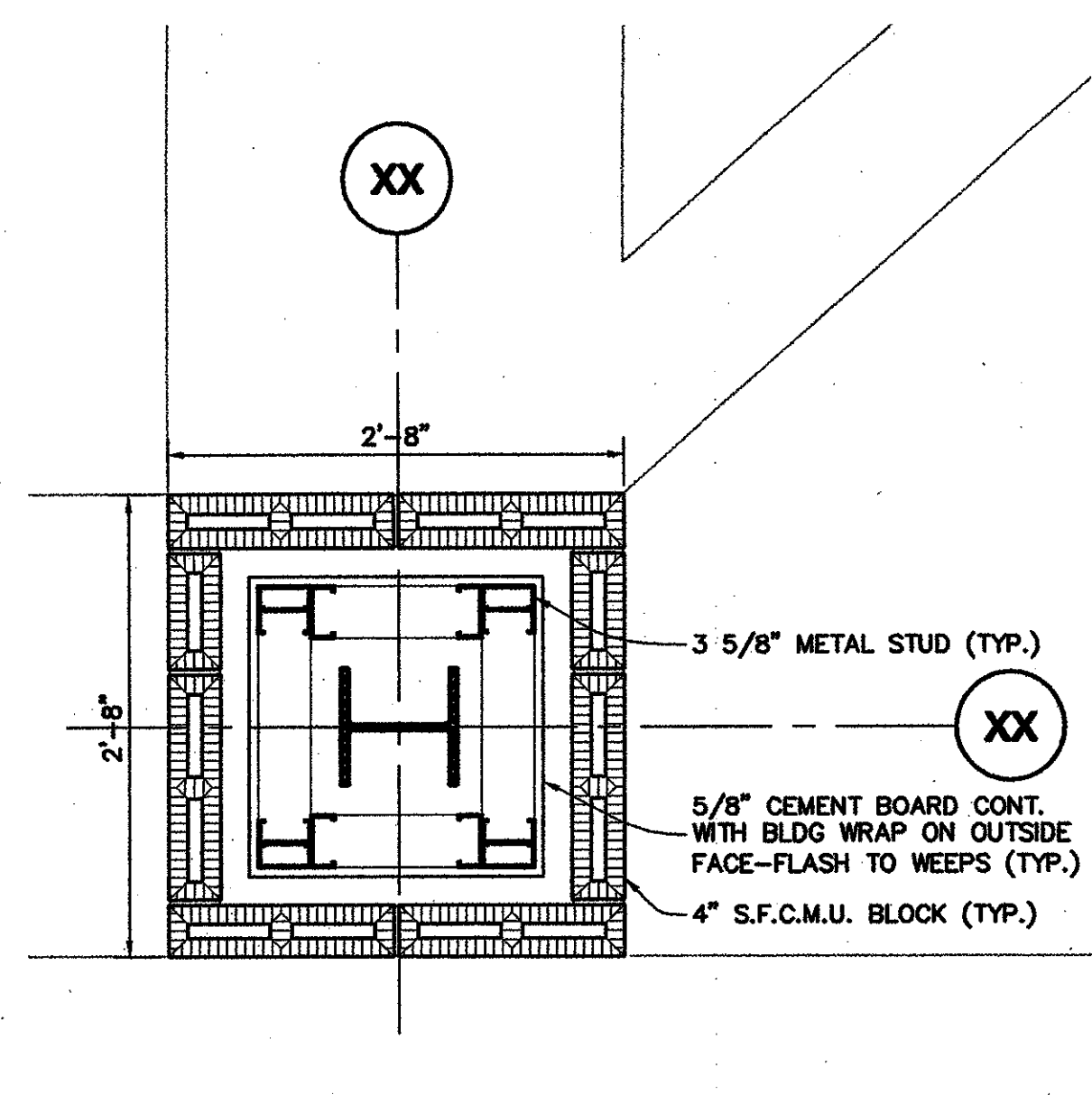
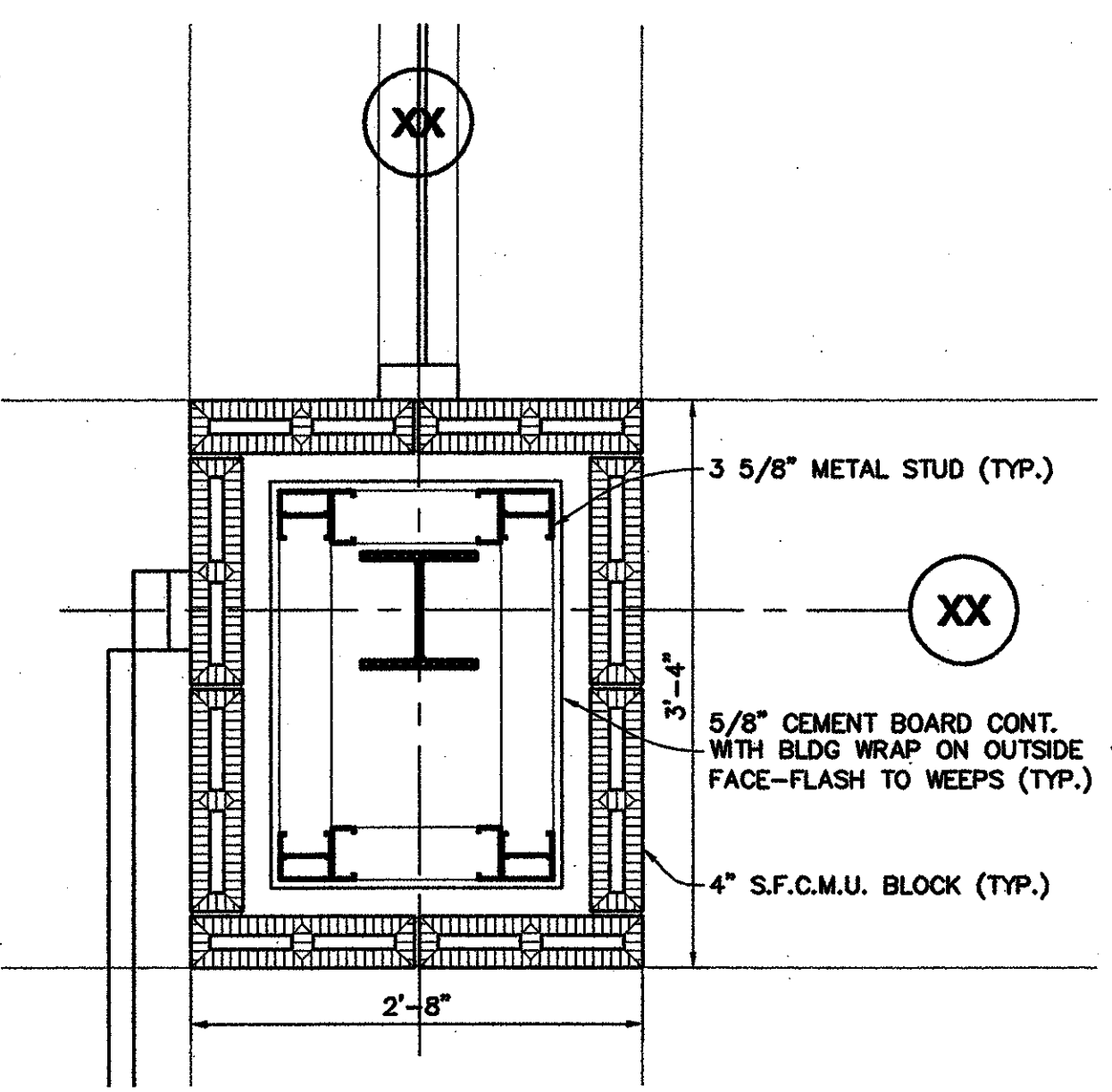


MEYER ENGINEERS, LTD.
ENGINEER & ARCHITECT

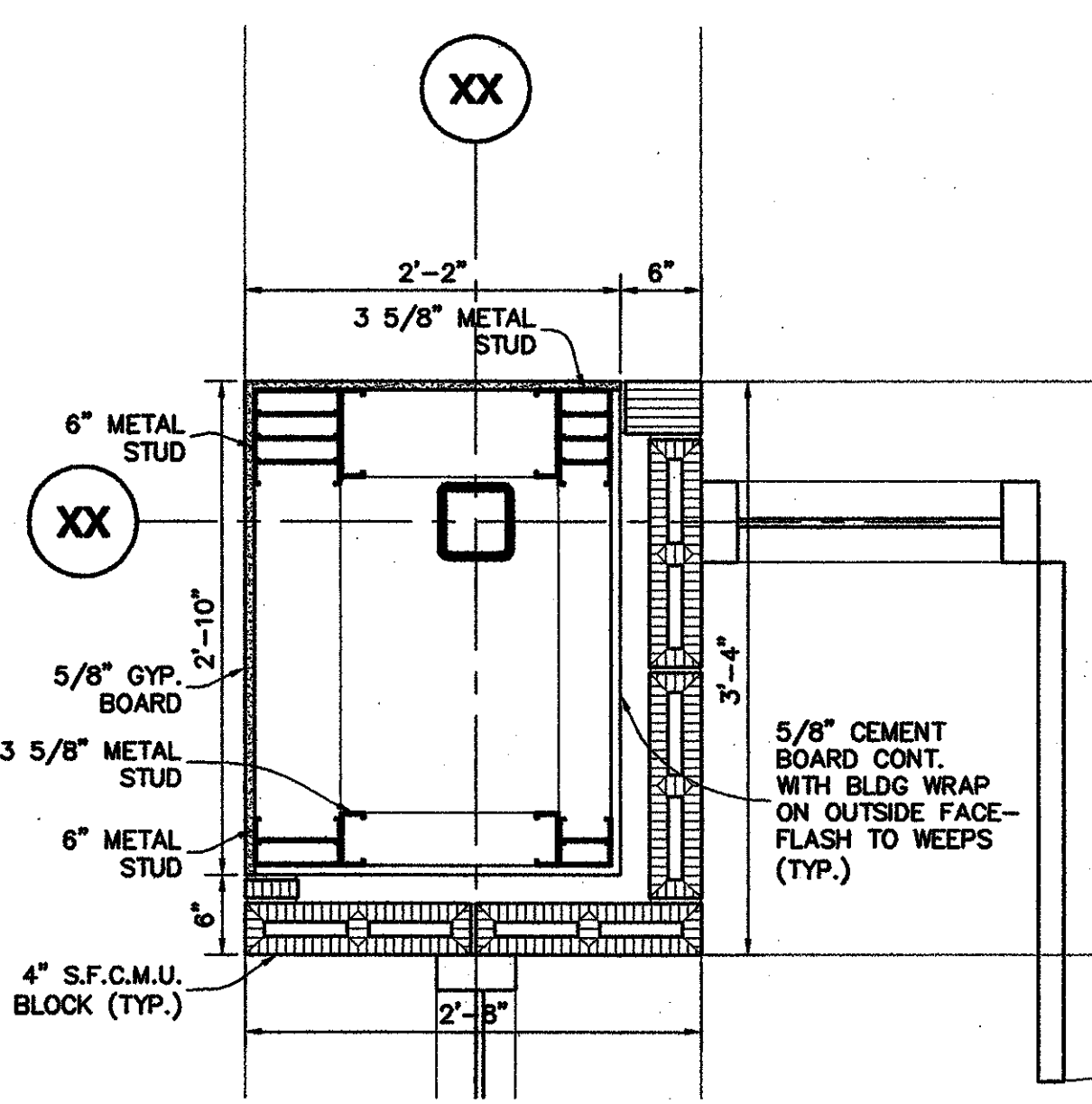
AREAS 'A' AND 'B' COLUMN DETAILS
VAL RISS PARK
MULTI-PURPOSE BUILDING
ST. BERNARD PARISH



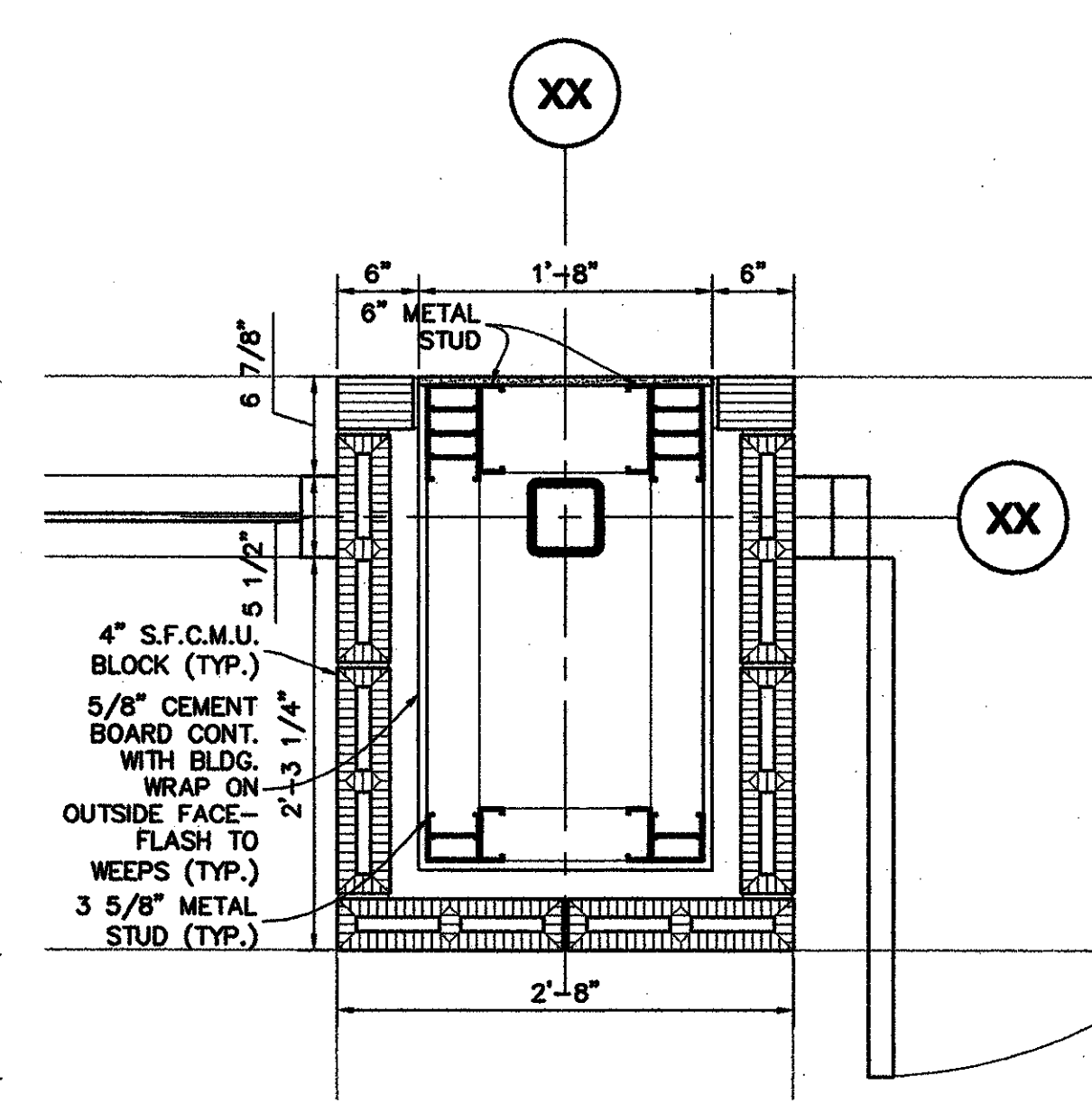
1 COLUMN DETAIL
 A21/A7.3 20-0901PFD1.dwg
 T = 1'-0"



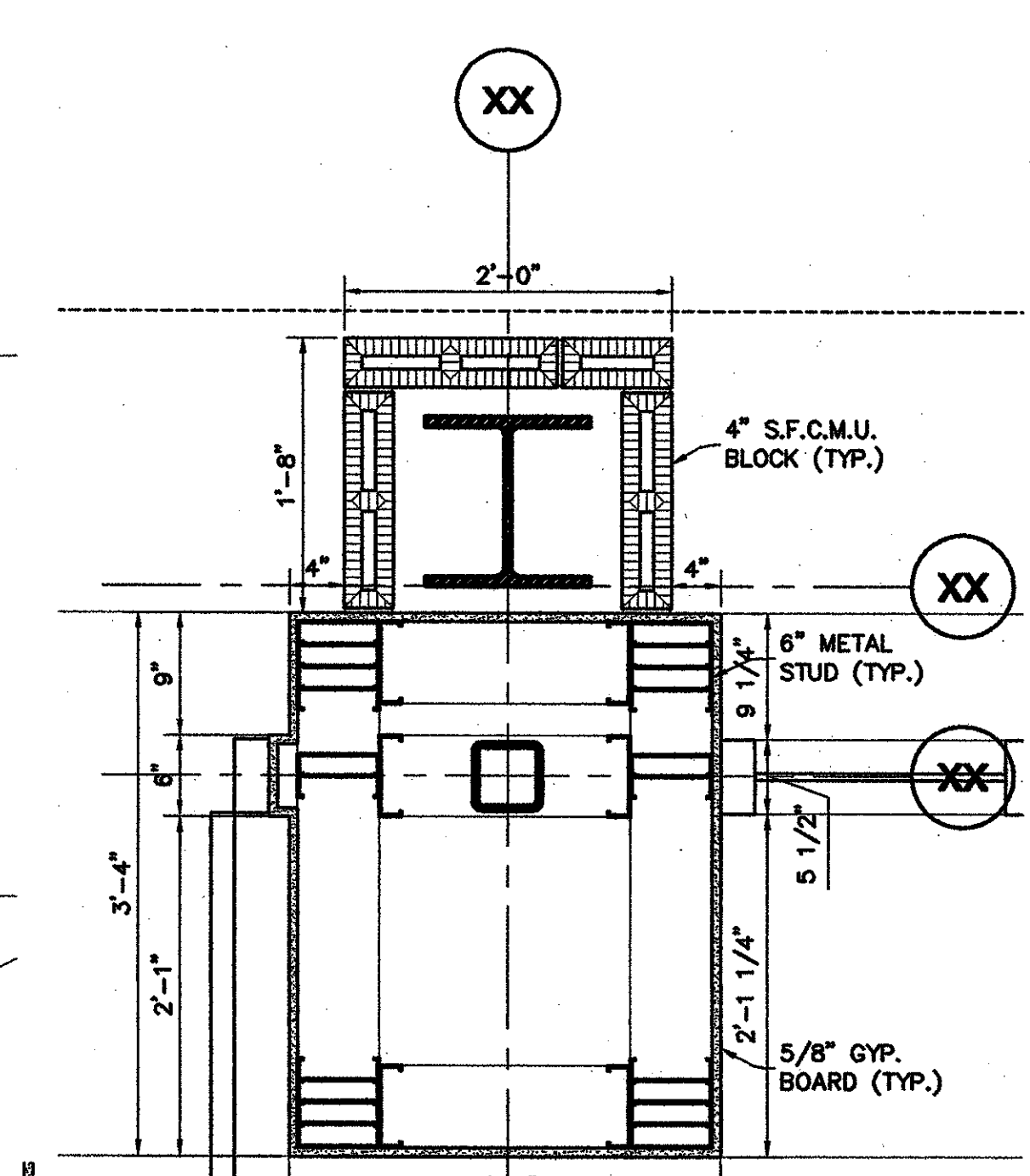
2 COLUMN DETAIL
 A21/A7.3 20-0901PFD1.dwg
 T = 1'-0"



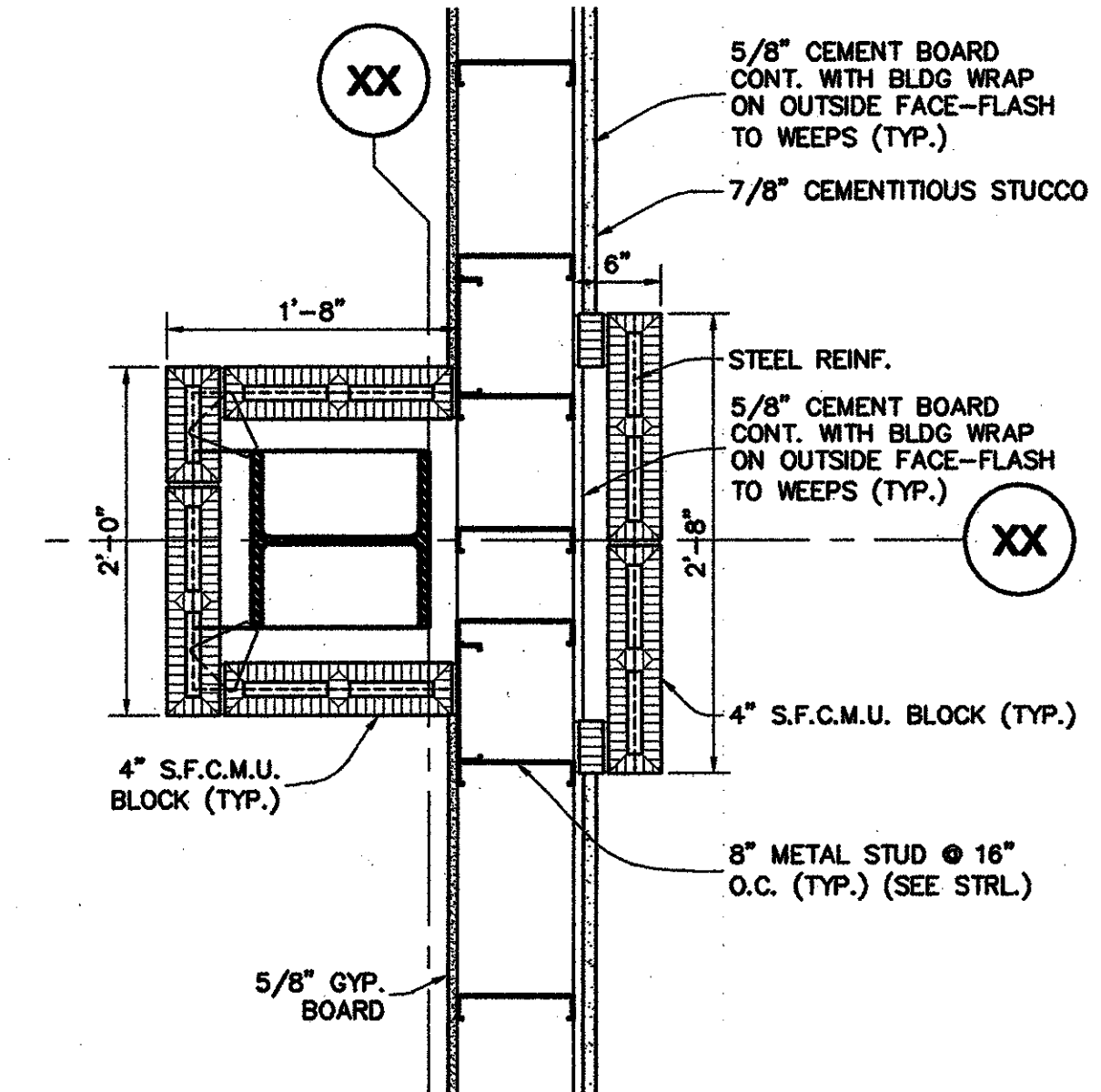
3 COLUMN DETAIL
 A21/A7.3 20-0901PFD1.dwg
 T = 1'-0"



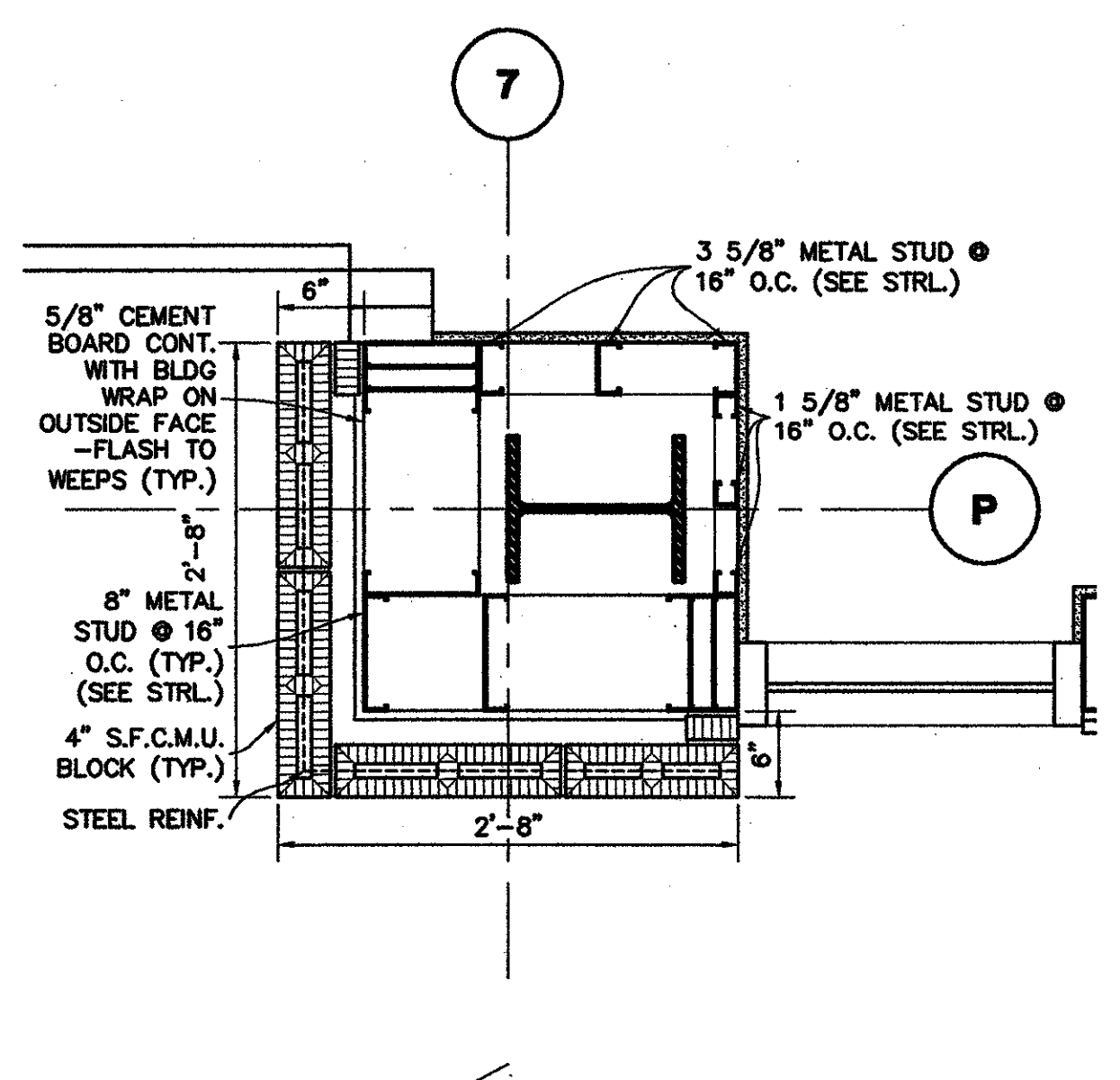
4 COLUMN DETAIL
 A21/A7.3 20-0901PFD1.dwg
 T = 1'-0"



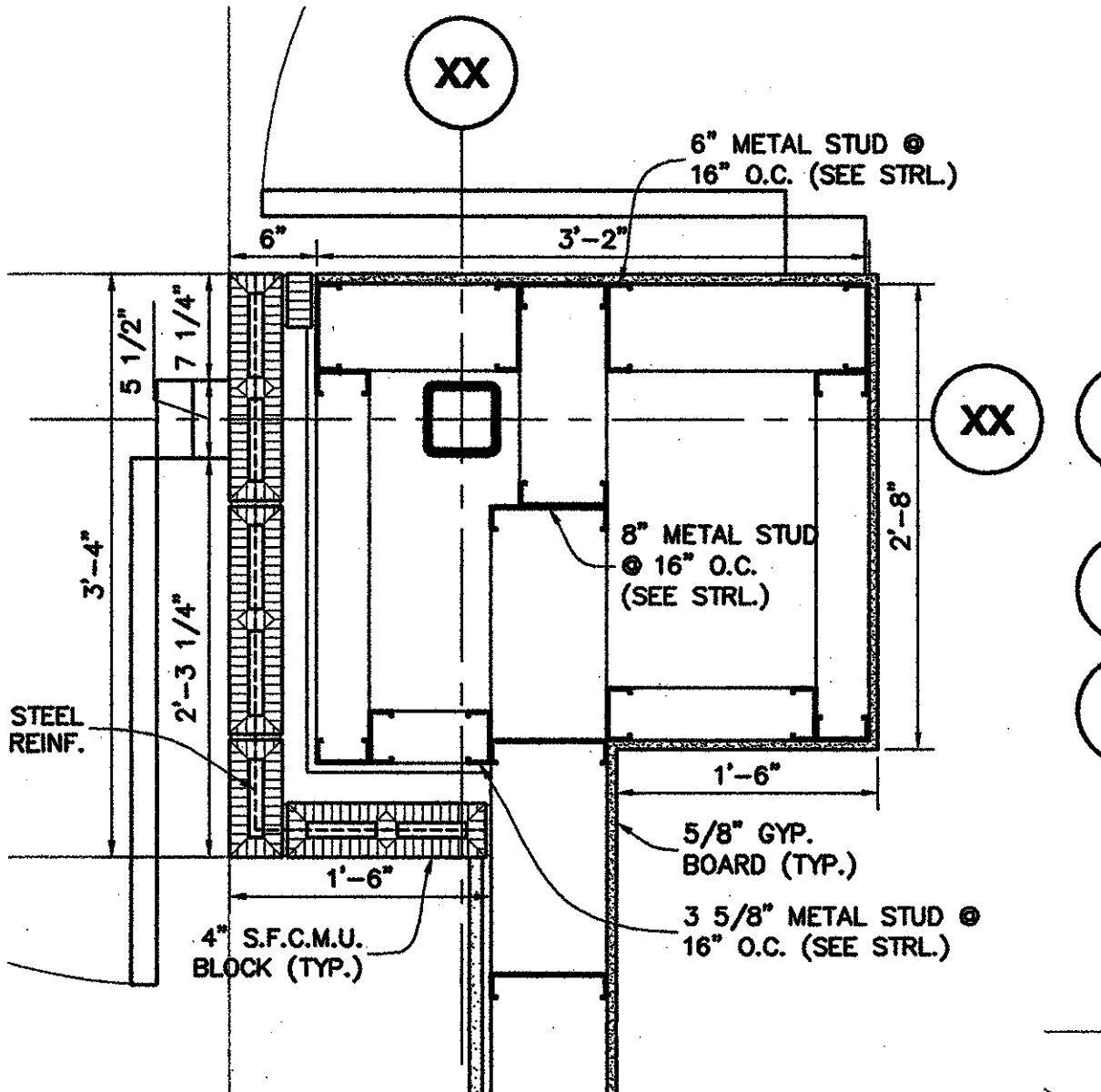
5 COLUMN DETAIL
 A21/A7.3 20-0901PFD1.dwg
 T = 1'-0"



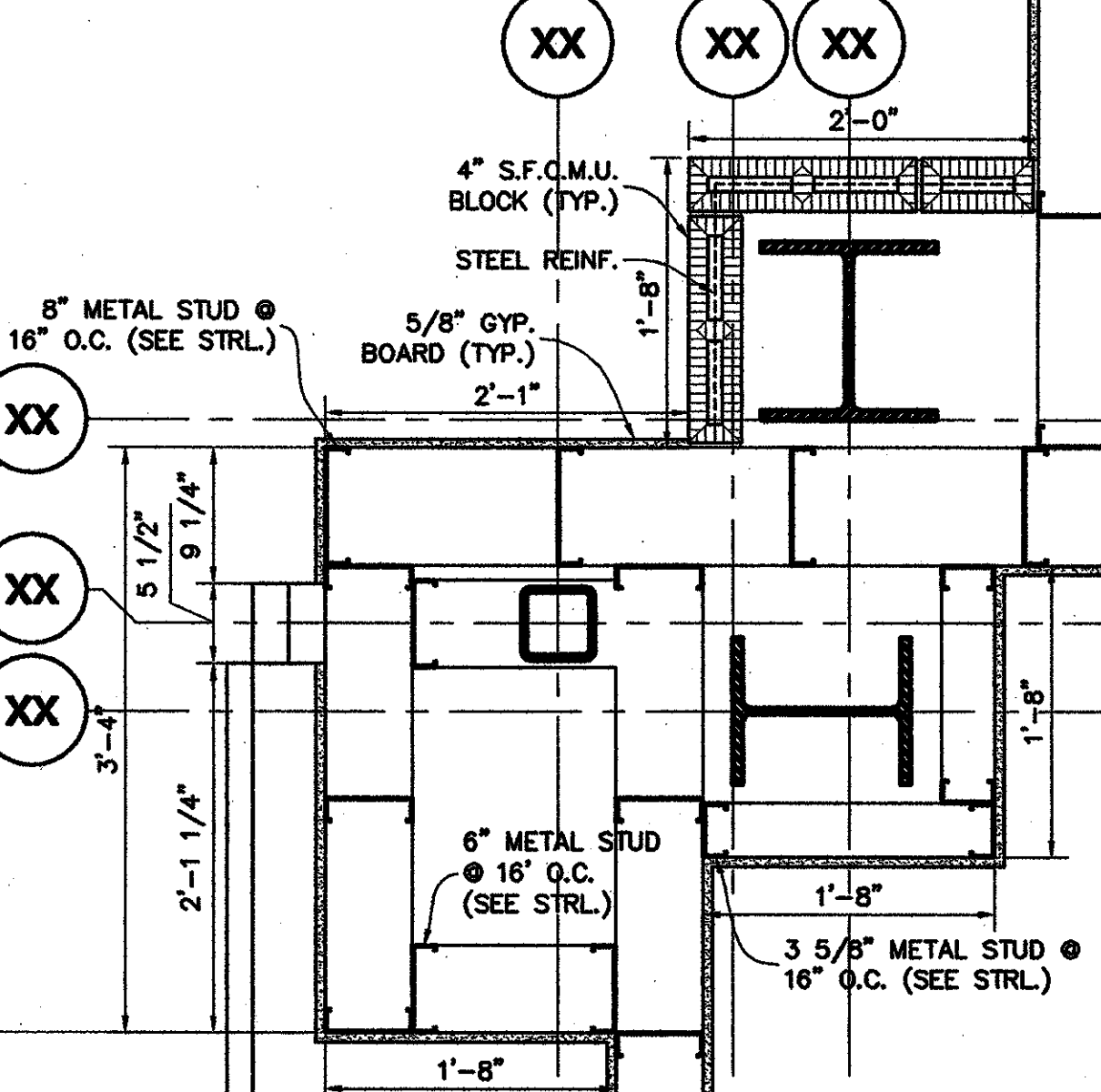
6 COLUMN DETAIL
 A21/A7.3 20-0901PFD1.dwg
 T = 1'-0"



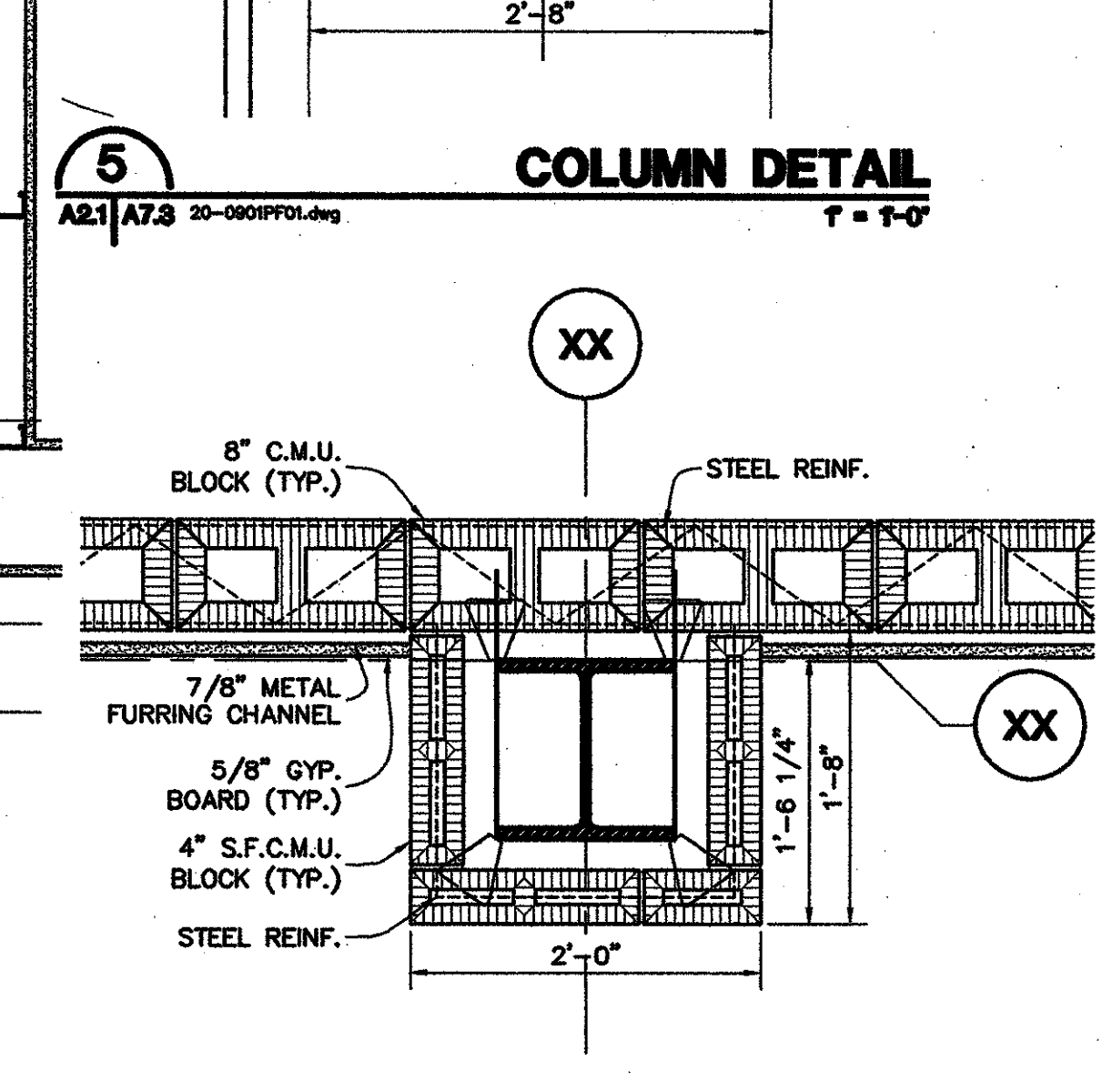
7 COLUMN DETAIL
 A21/A7.3 20-0901PFD1.dwg
 T = 1'-0"



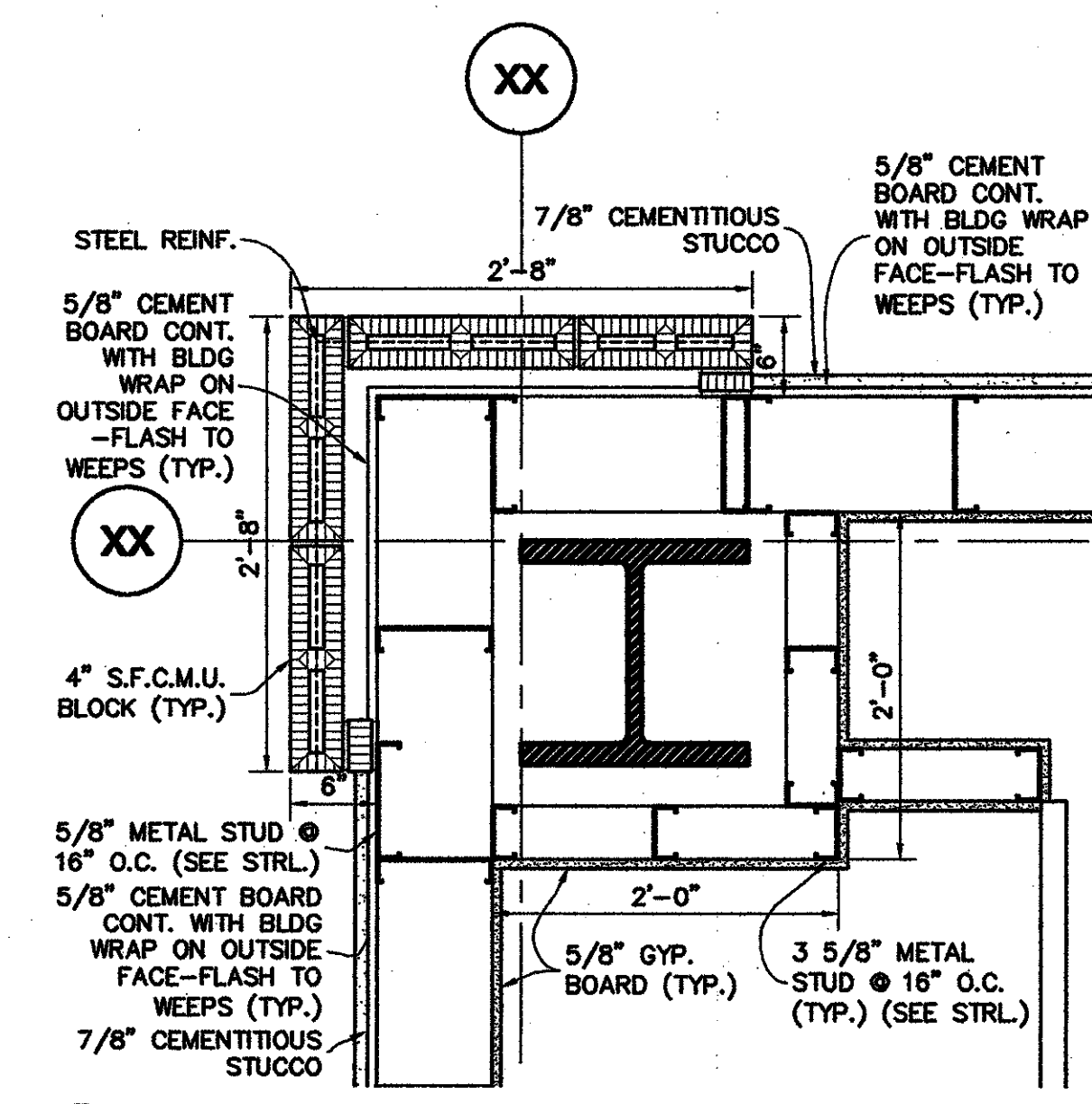
8 COLUMN DETAIL
 A21/A7.3 20-0901PFD1.dwg
 T = 1'-0"



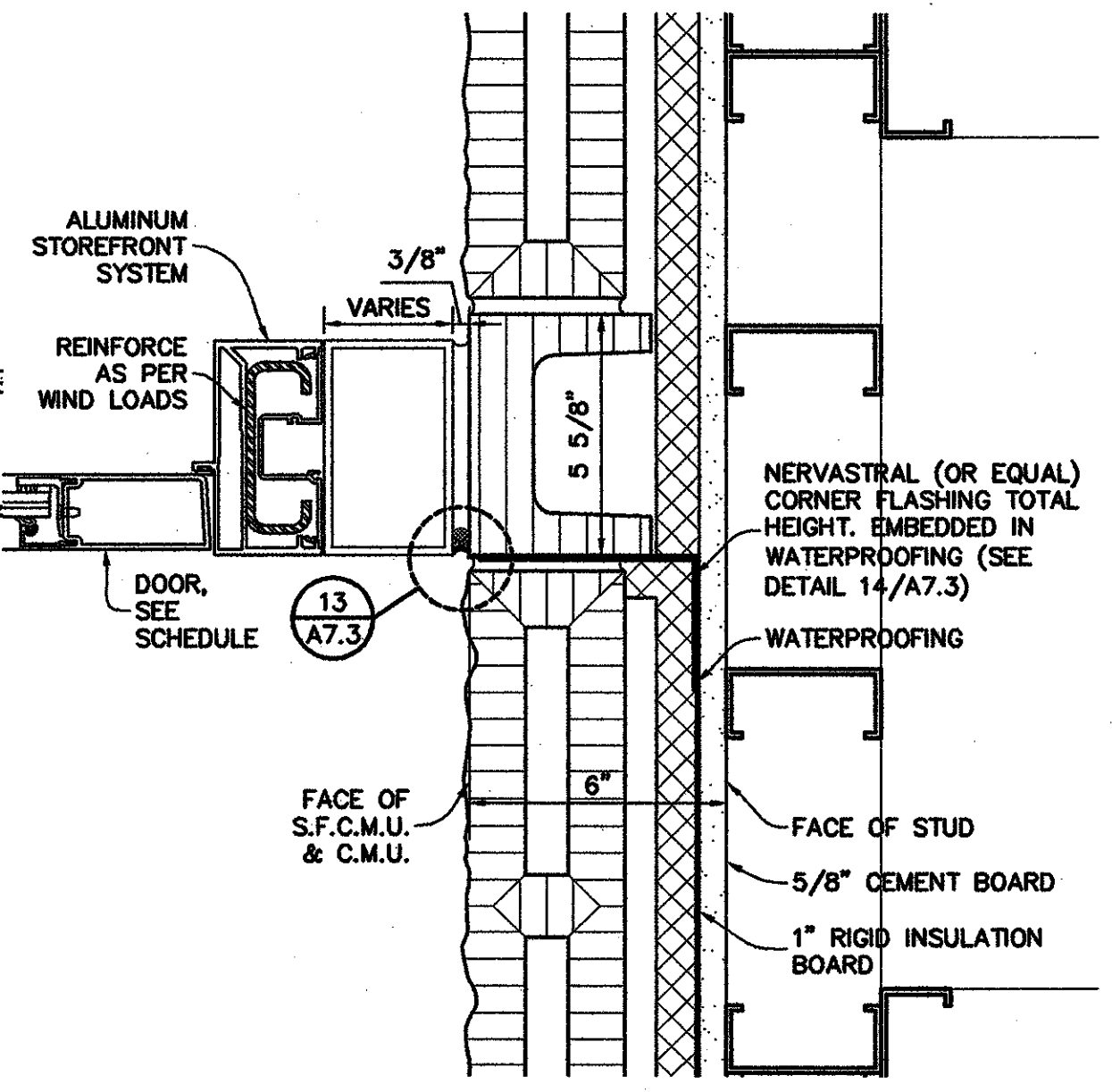
9 COLUMN DETAIL
 A21/A7.3 20-0901PFD1.dwg
 T = 1'-0"



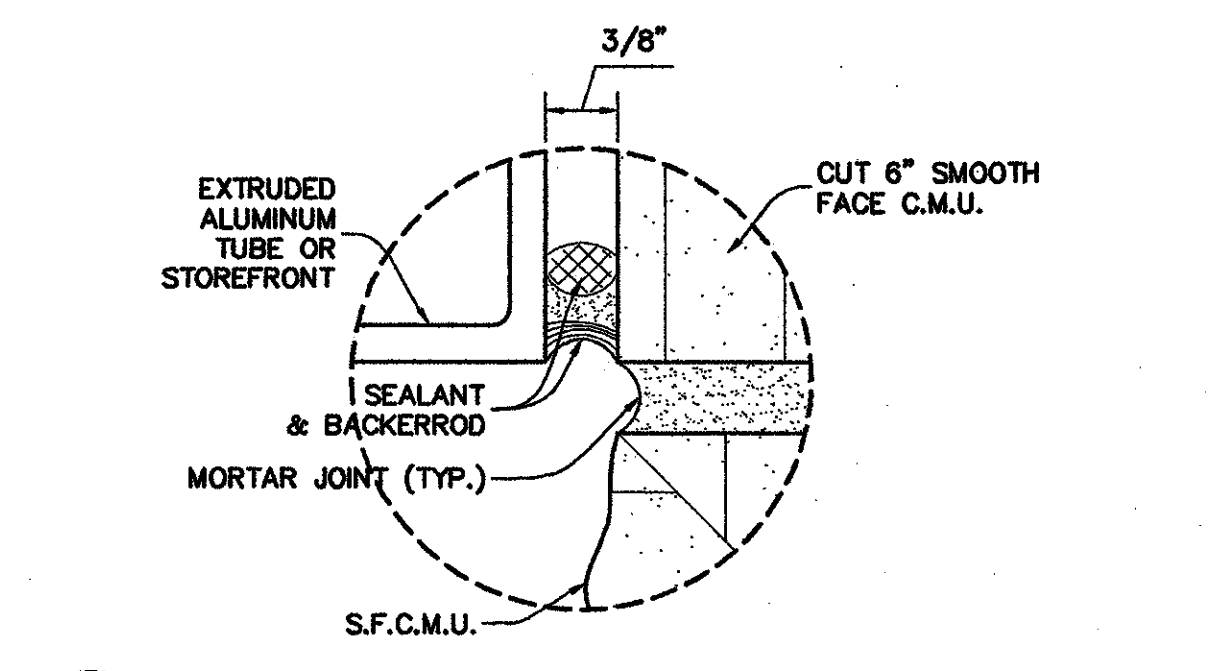
10 COLUMN DETAIL
 A23/A7.3 20-0901PFD1.dwg
 T = 1'-0"



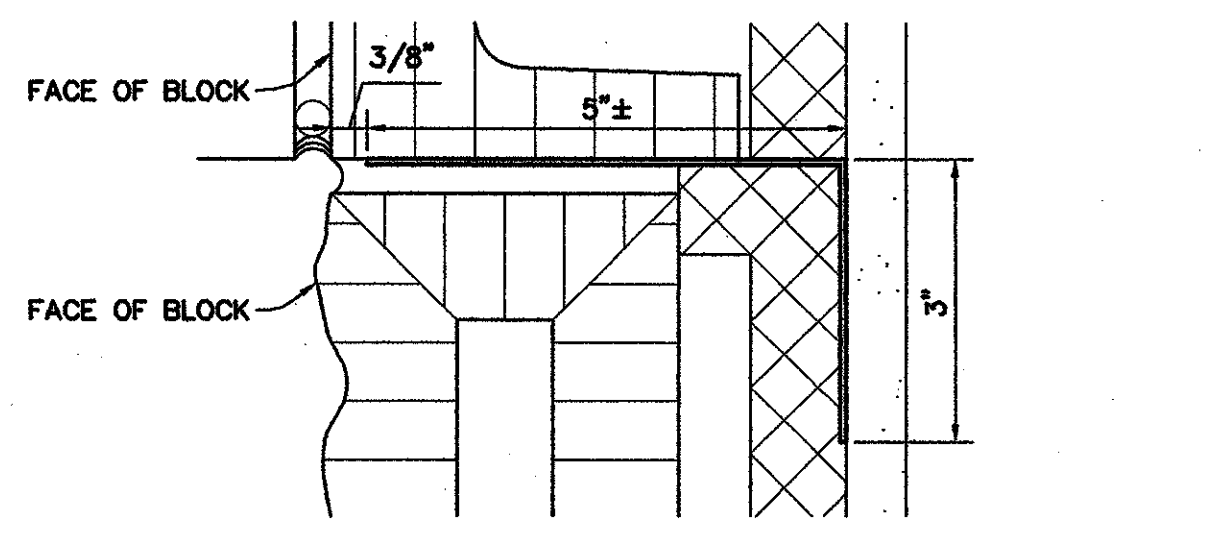
11 COLUMN DETAIL
 A23/A7.3 20-0901PFD1.dwg
 T = 1'-0"



12 COLUMN DETAIL
 A7.3/A7.3 20-0901PFD1.dwg
 3' = 1'-0"



13 JOINT DETAIL
 A7.3/A7.3 20-0901PFD1.dwg
 T = 1'-0"



14 CORNER FLASHING DETAIL
 A7.3/A7.3 20-0901PFD1.dwg
 T = 1'-0"