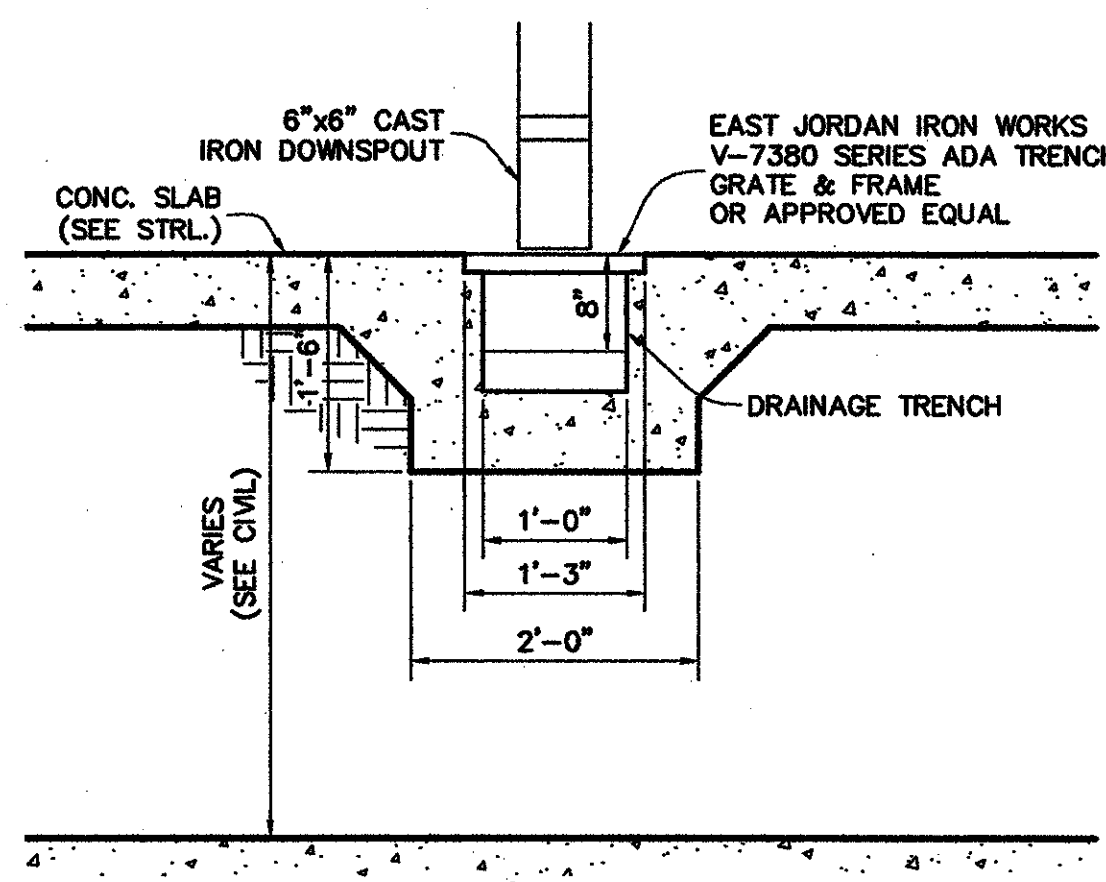
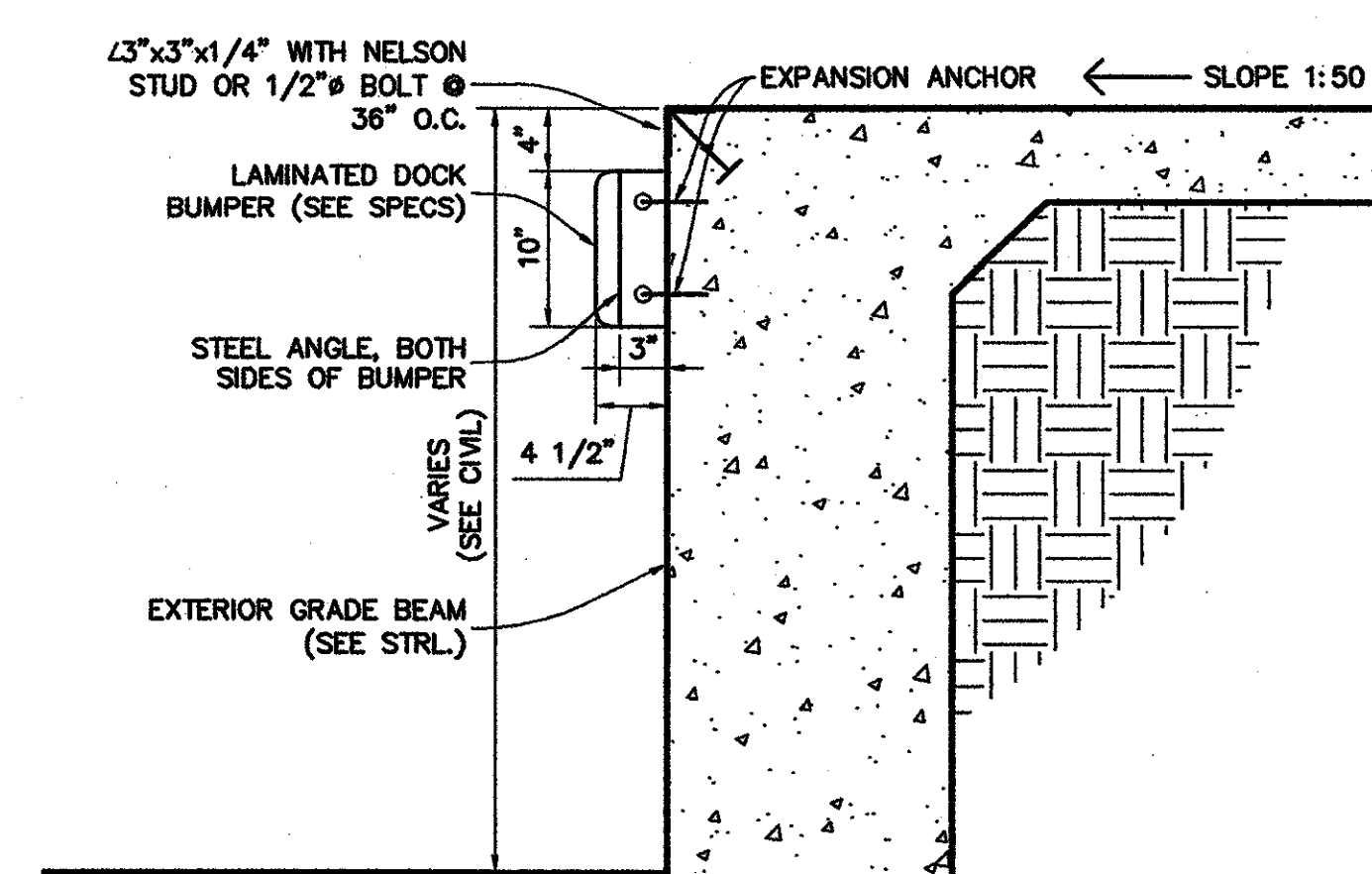


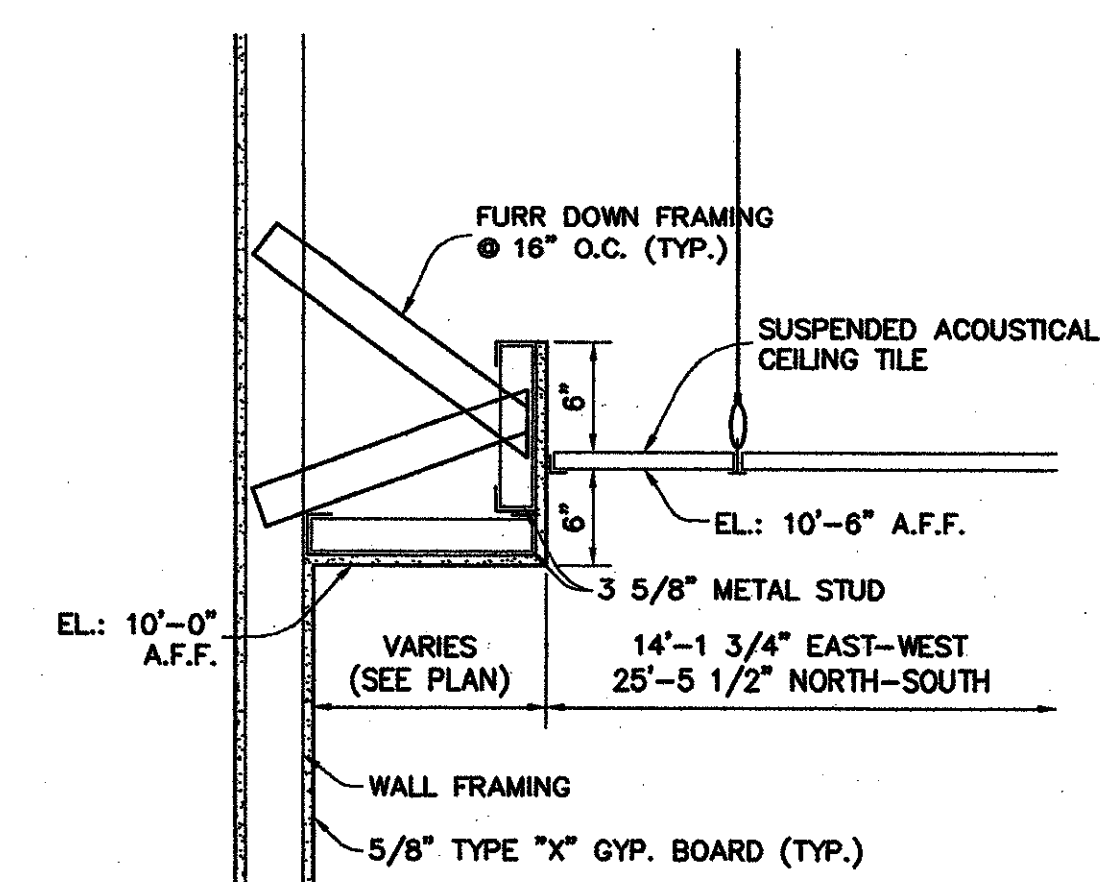
1 LOADING DOCK DRAINAGE TRENCH SECTION DETAIL
 3/4" = 1'-0"



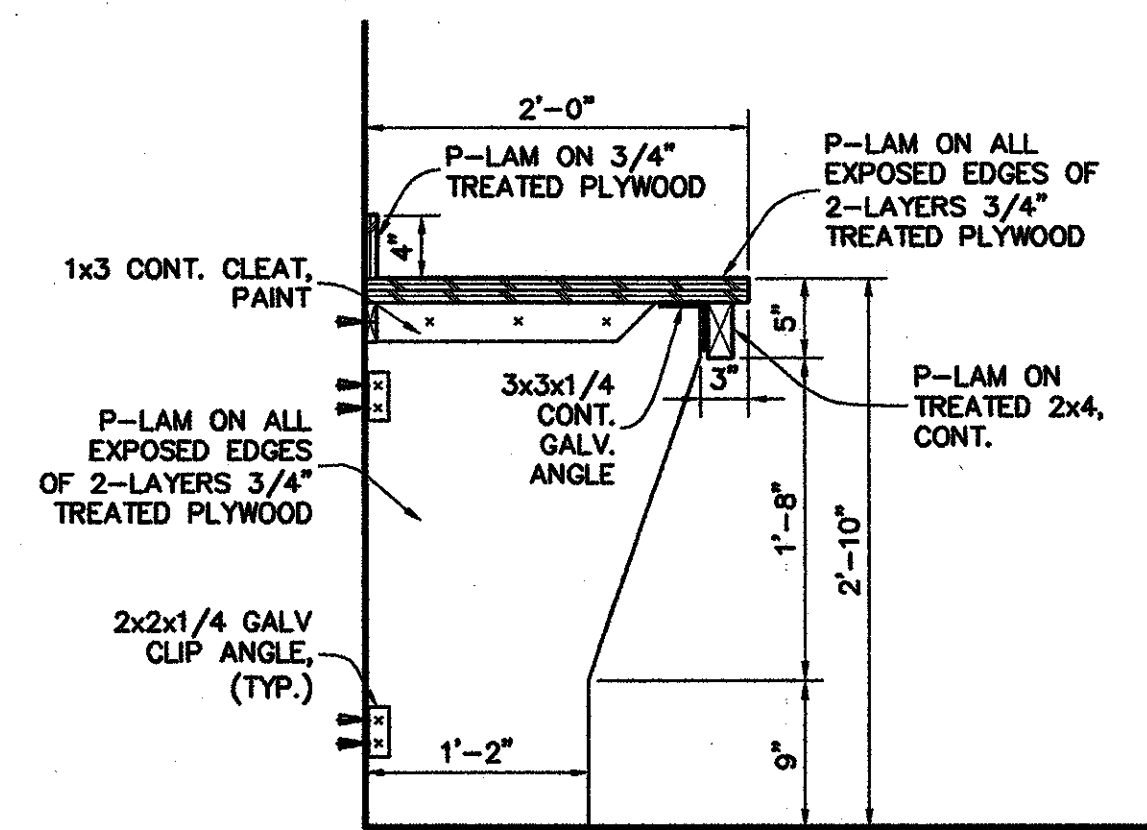
2 LOADING DOCK DRAINAGE TRENCH SECTION DETAIL
 3/4" = 1'-0"



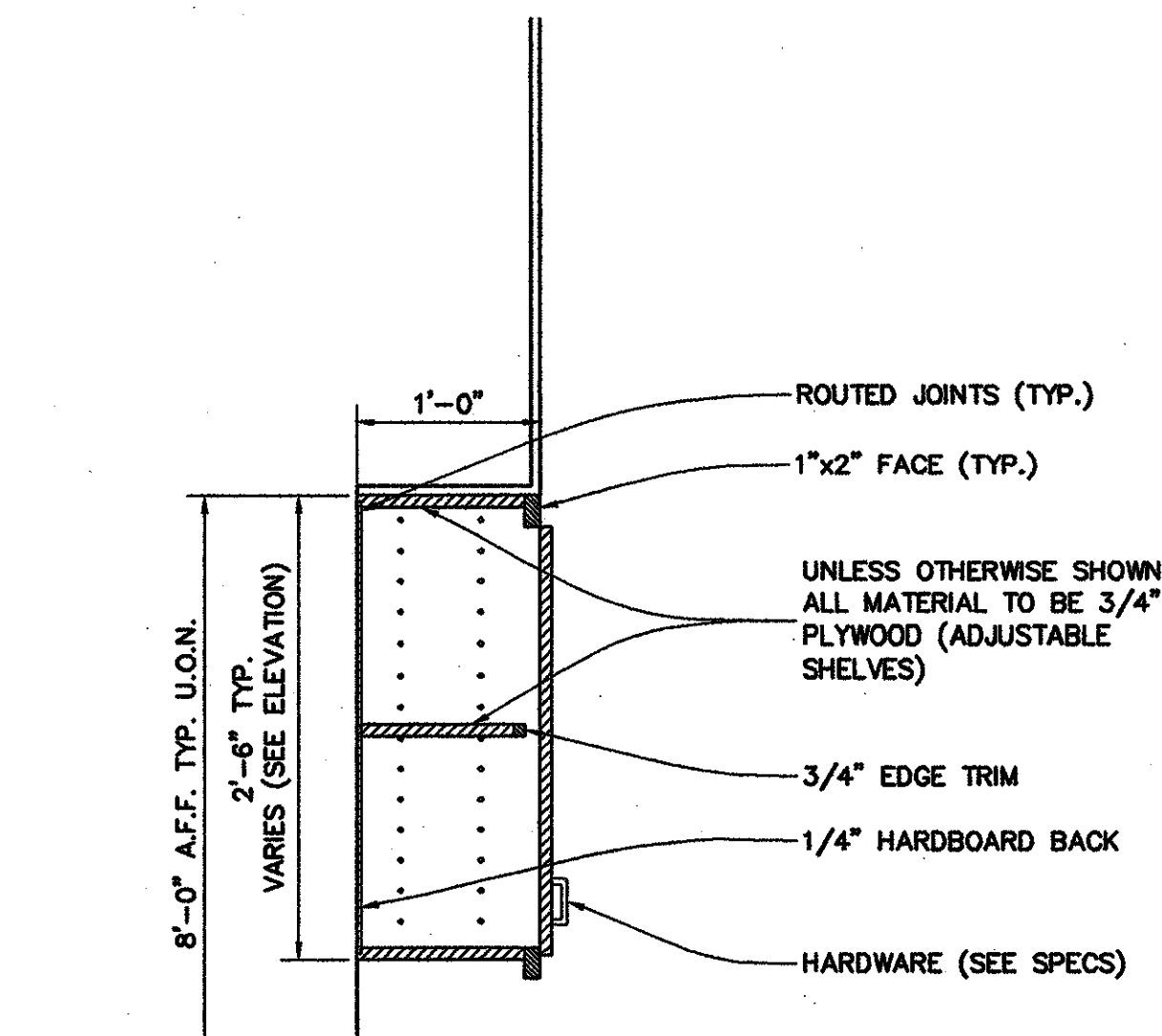
3 LOADING DOCK BUMPER
 1" = 1'-0"



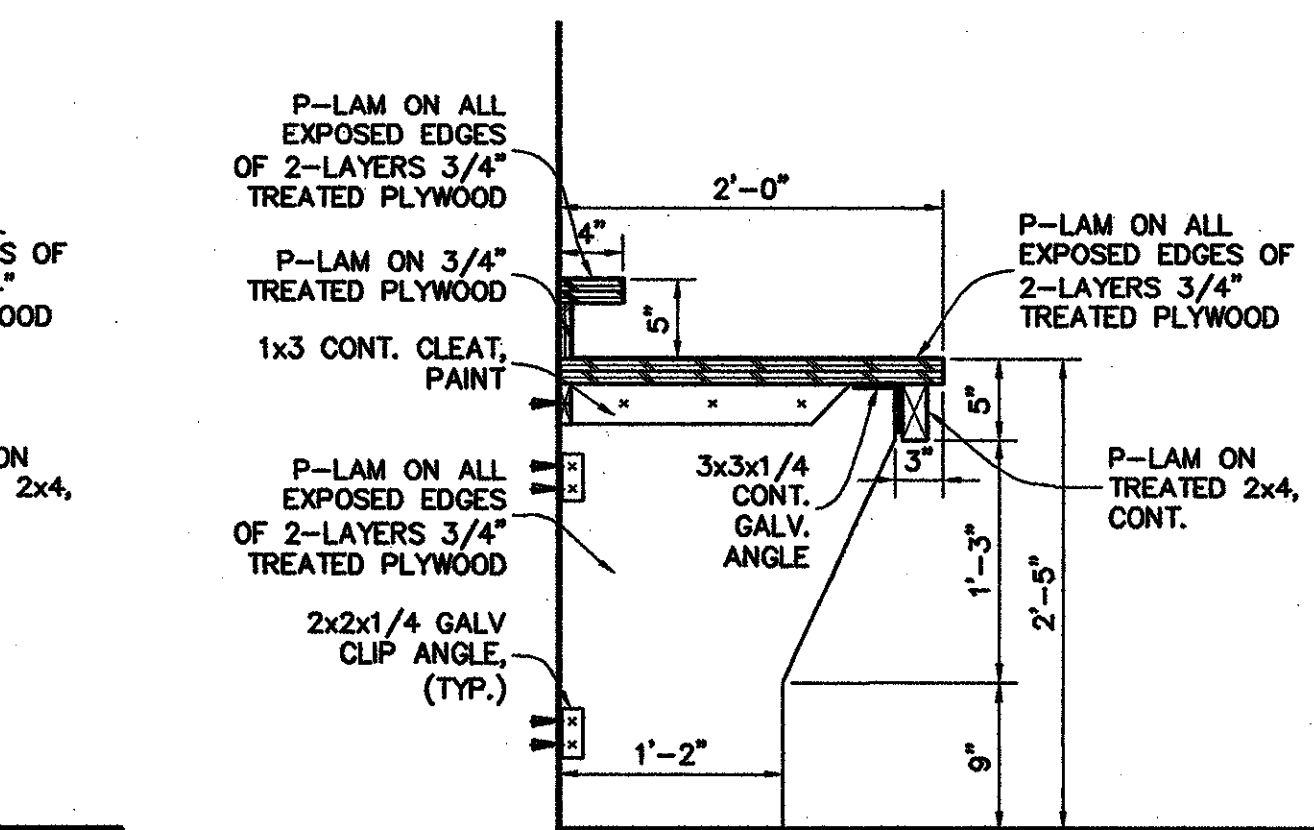
4 CEILING FURRING DETAIL
 1" = 1'-0"



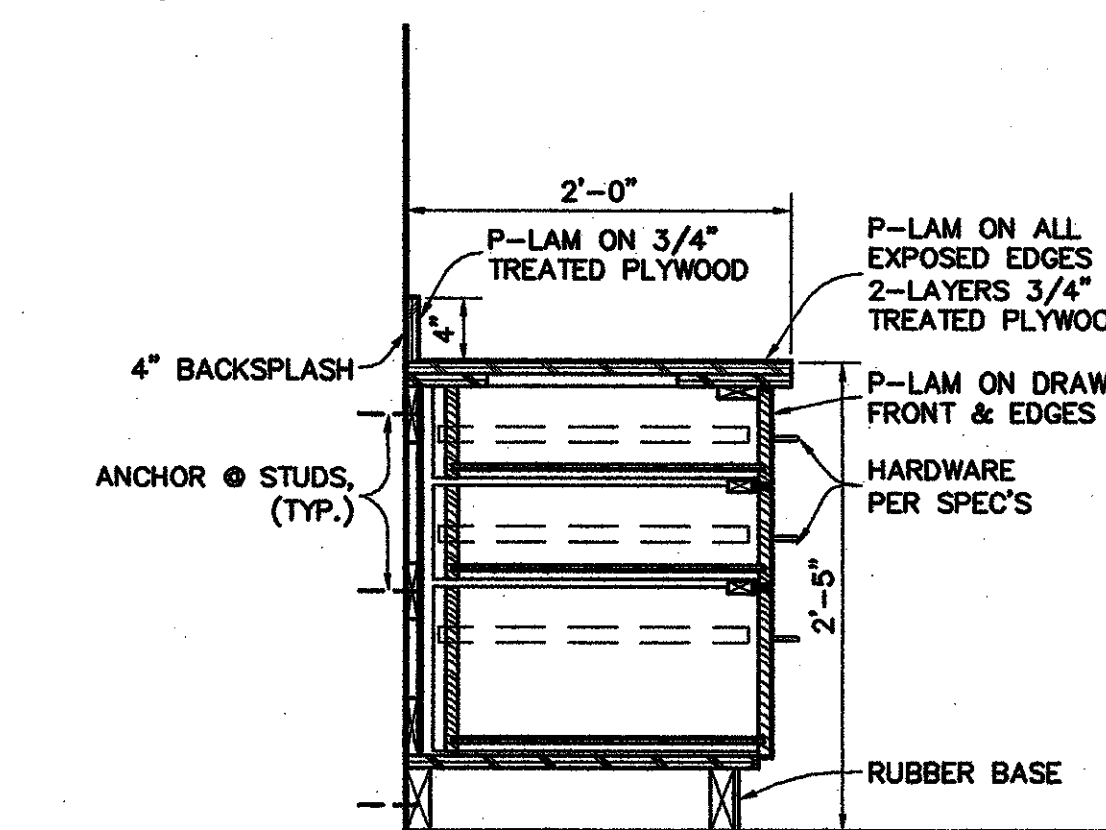
5 COUNTER SECTION DETAIL
 1" = 1'-0"



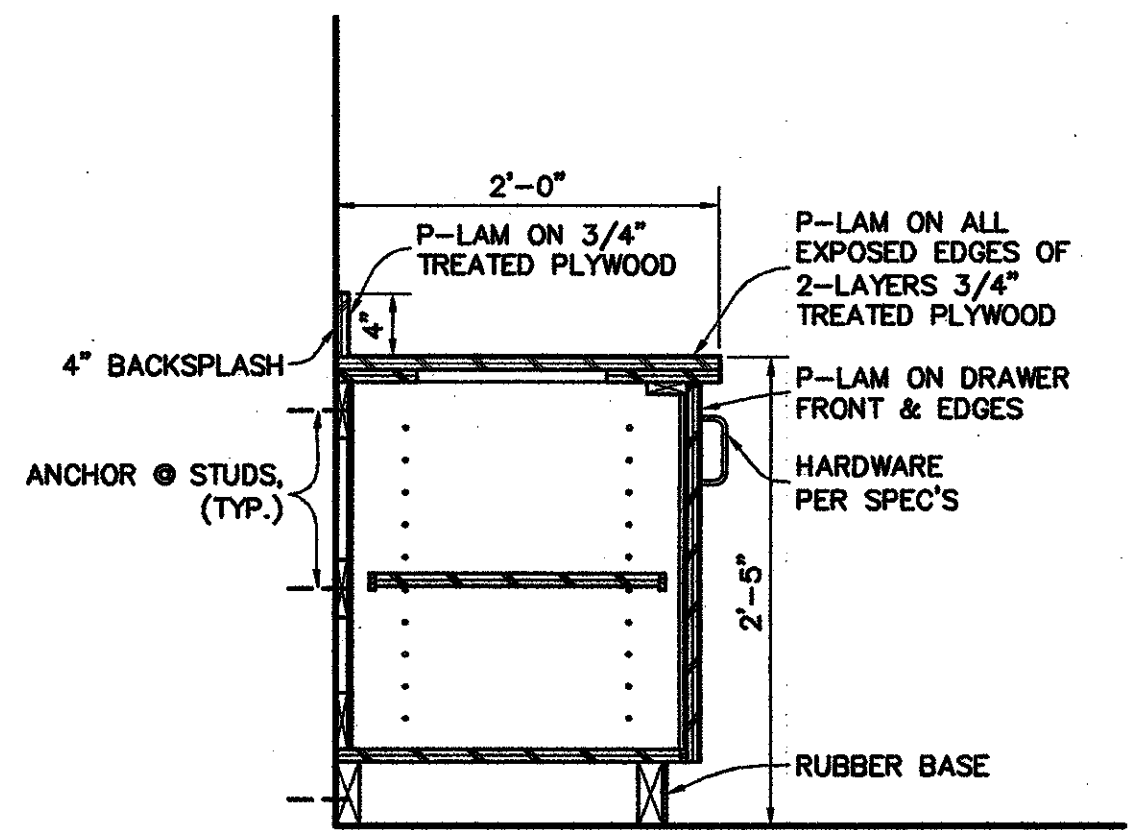
6 COUNTER SECTION DETAIL
 1" = 1'-0"



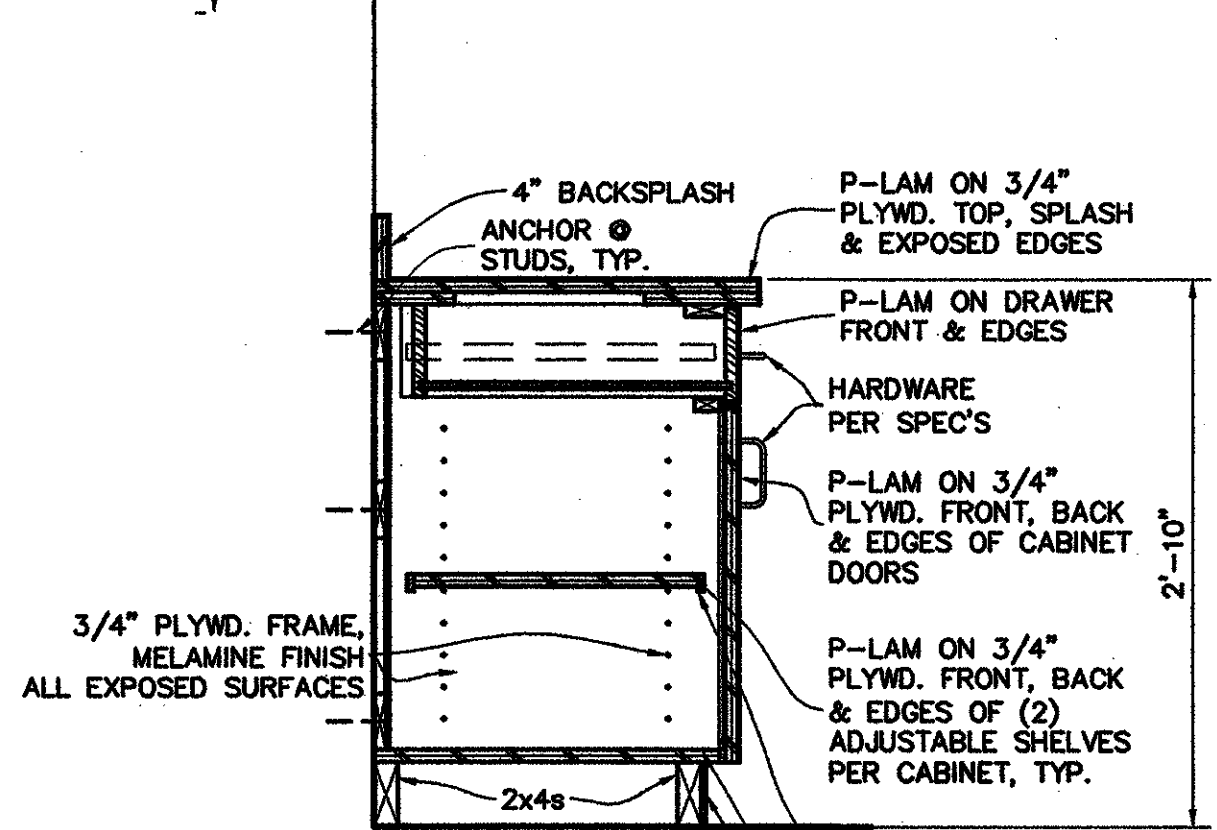
7 COUNTER SECTION DETAIL
 1" = 1'-0"



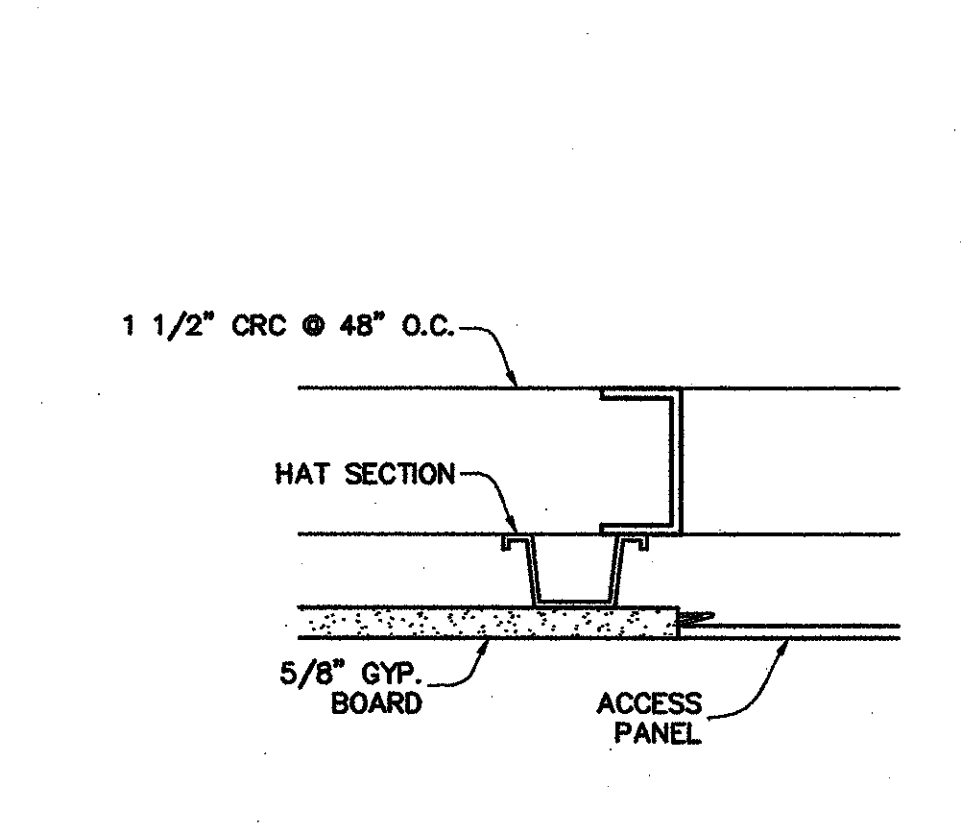
8 COUNTER SECTION DETAIL
 1" = 1'-0"



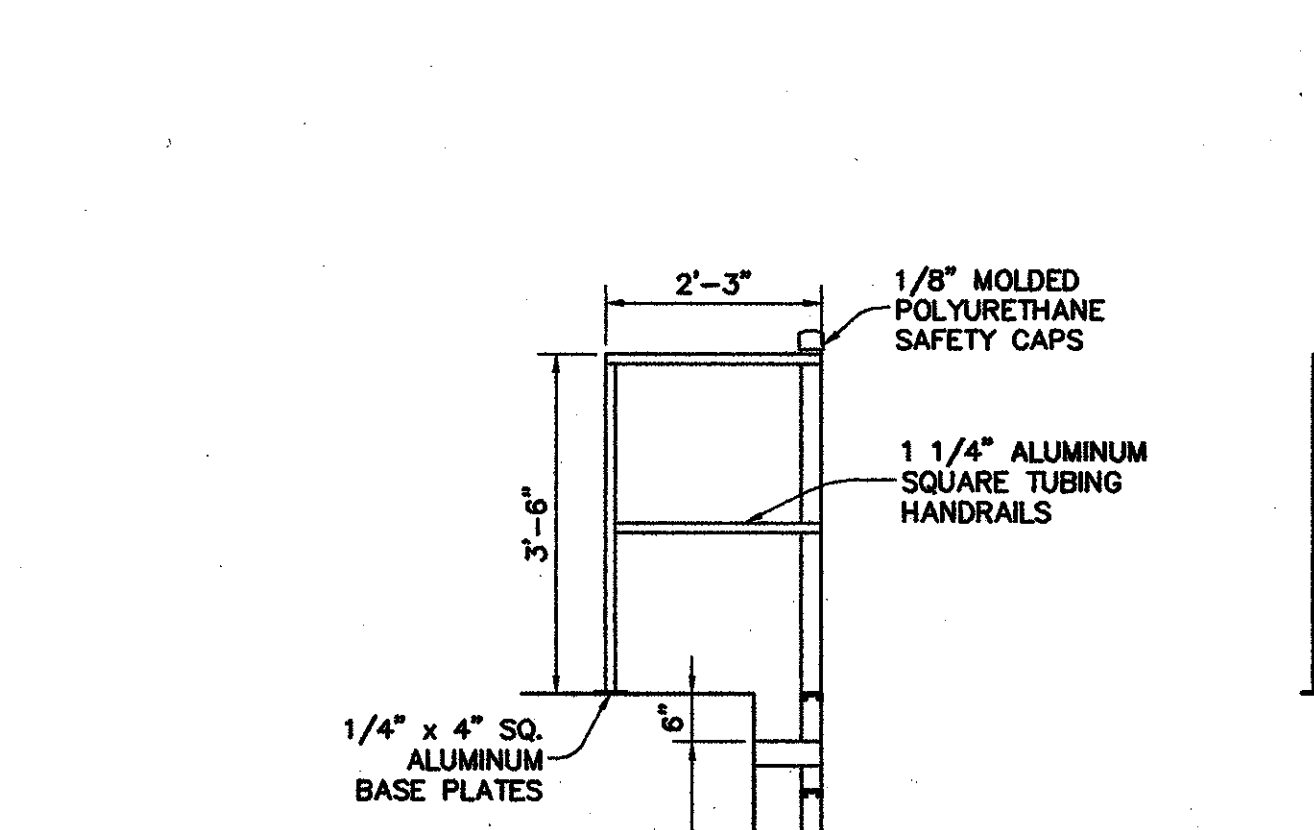
9 COUNTER SECTION DETAIL
 1" = 1'-0"



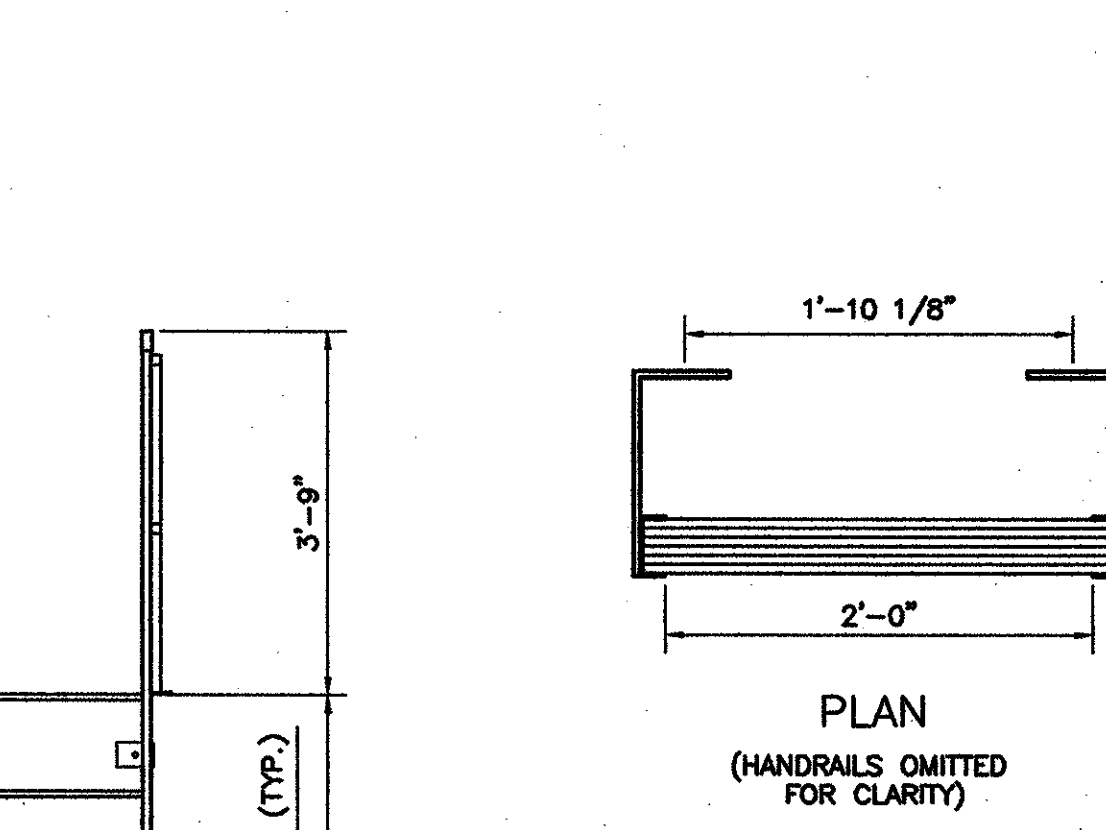
10 WALL SECTION CABINET
 1" = 1'-0"



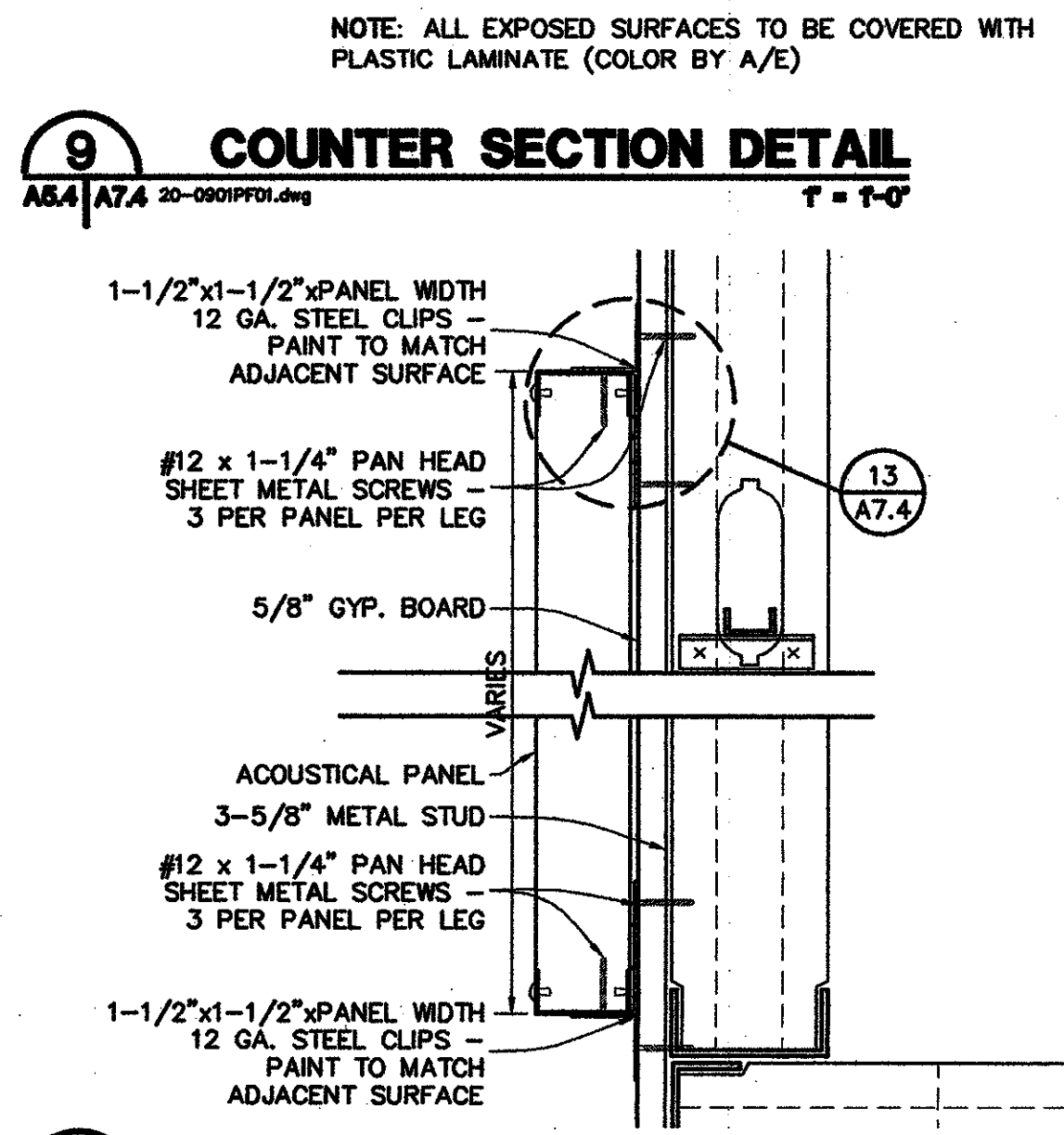
11 ACCESS PANEL DETAIL
 3" = 1'-0"



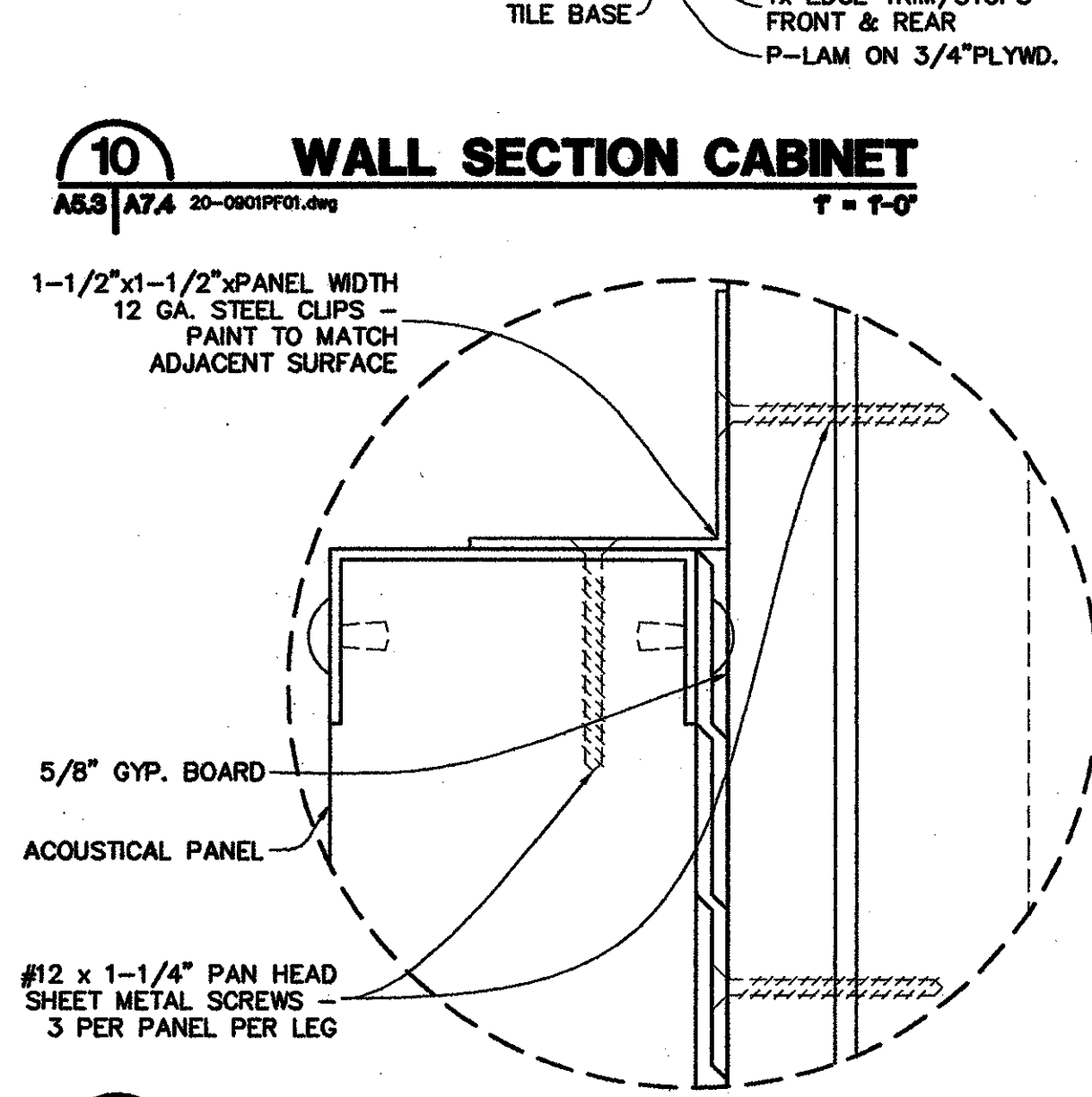
14 LADDER DETAILS
 N.T.S.



13 ACOUSTICAL PANEL DETAIL
 3" = 1'-0"

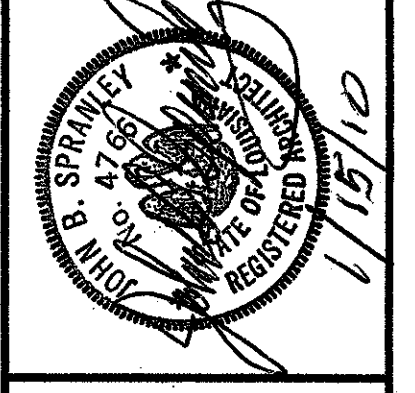


12 ACOUSTICAL PANEL DETAIL
 3" = 1'-0"



13 ACOUSTICAL PANEL DETAIL
 3" = 1'-0"

project no. 20-0109
 drawn J.P.
 checked J.P.
 date 01.15.2010
 revised



MEYER ENGINEERS, LTD.
 ENGINEER & ARCHITECT

ARCHITECTURAL DETAILS
VAL RIESS PARK
MULTI-PURPOSE BUILDING
ST. BERNARD PARISH

sheet no. **A7.4**
 of ___ sheets