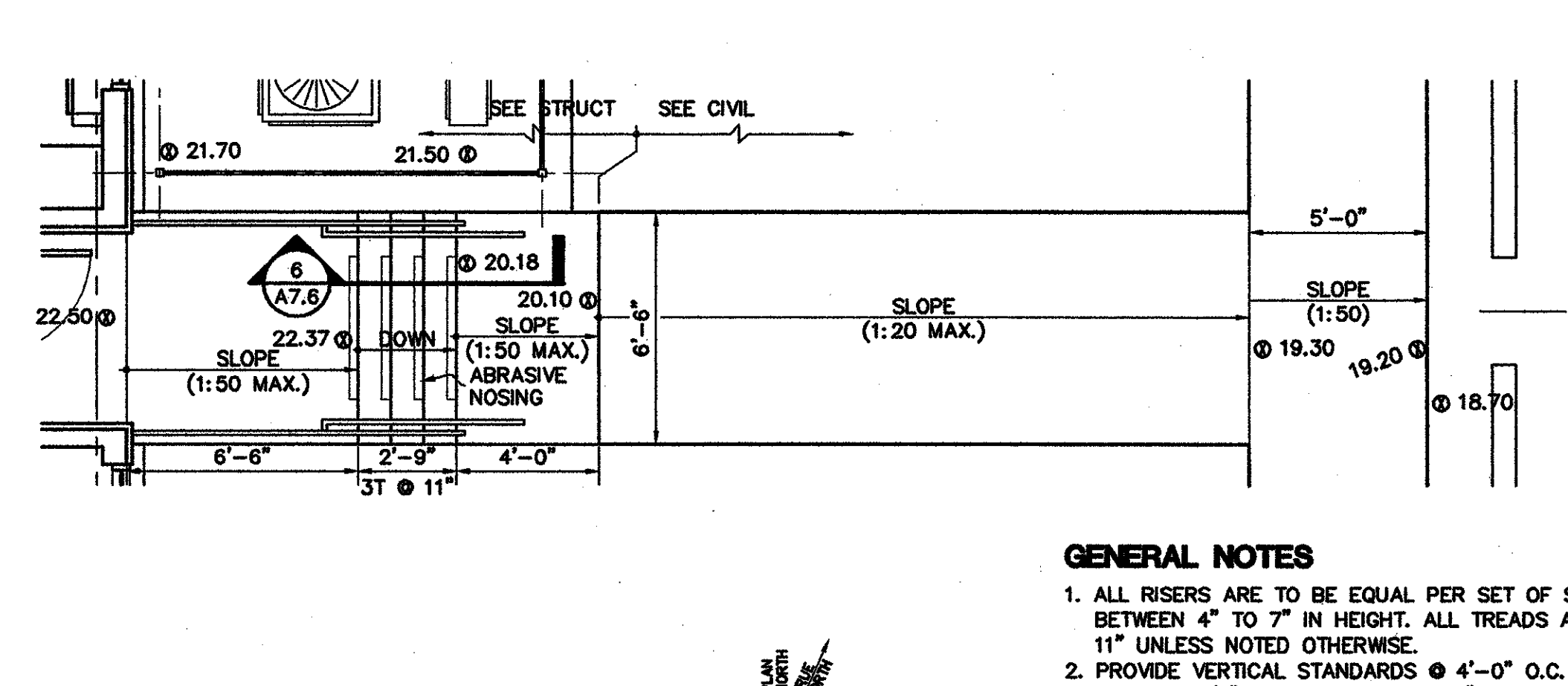
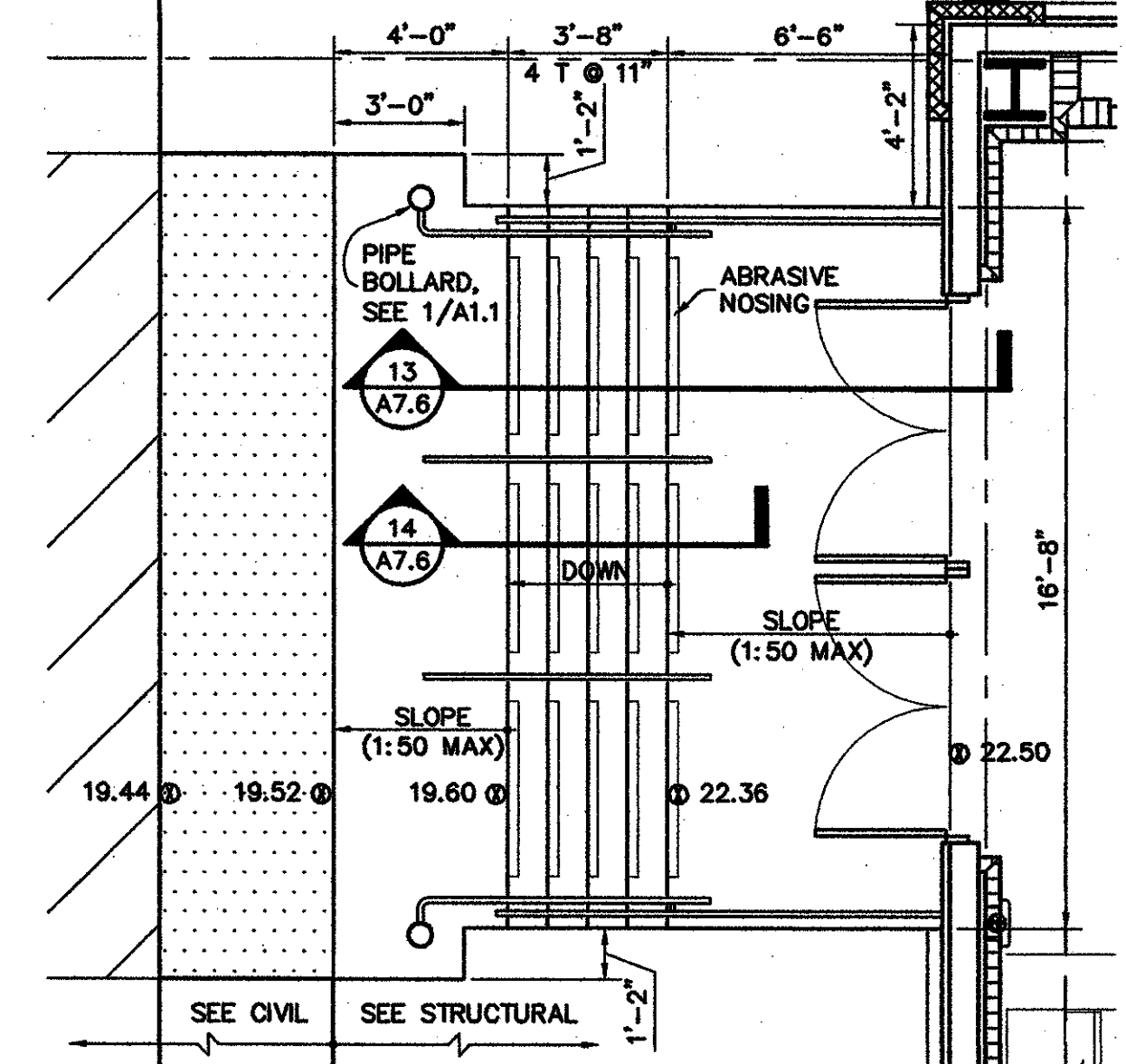


**1 STAIR ENLARGED PLAN**  
A10 | A7.8 20-0001PFD1.dwg  
1/4" = 1'-0"

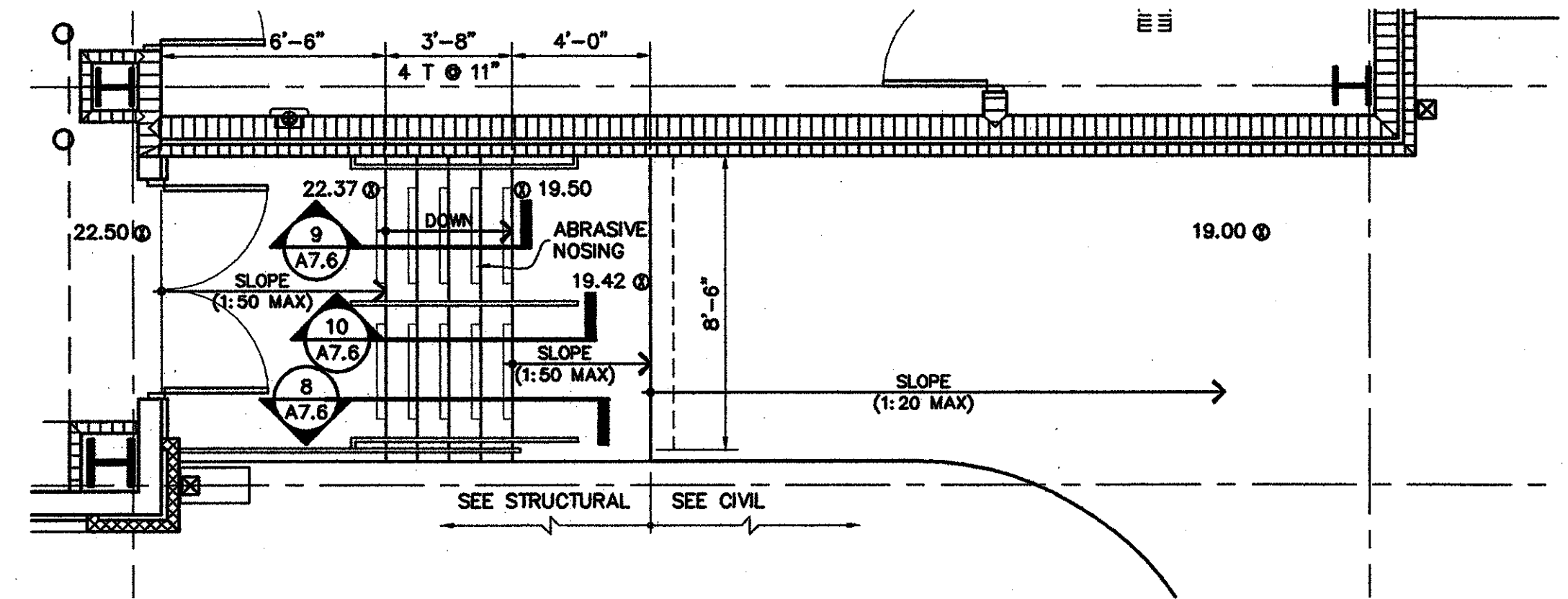


**2 STAIR ENLARGED PLAN**  
A10 | A7.8 20-0001PFD1.dwg  
1/4" = 1'-0"

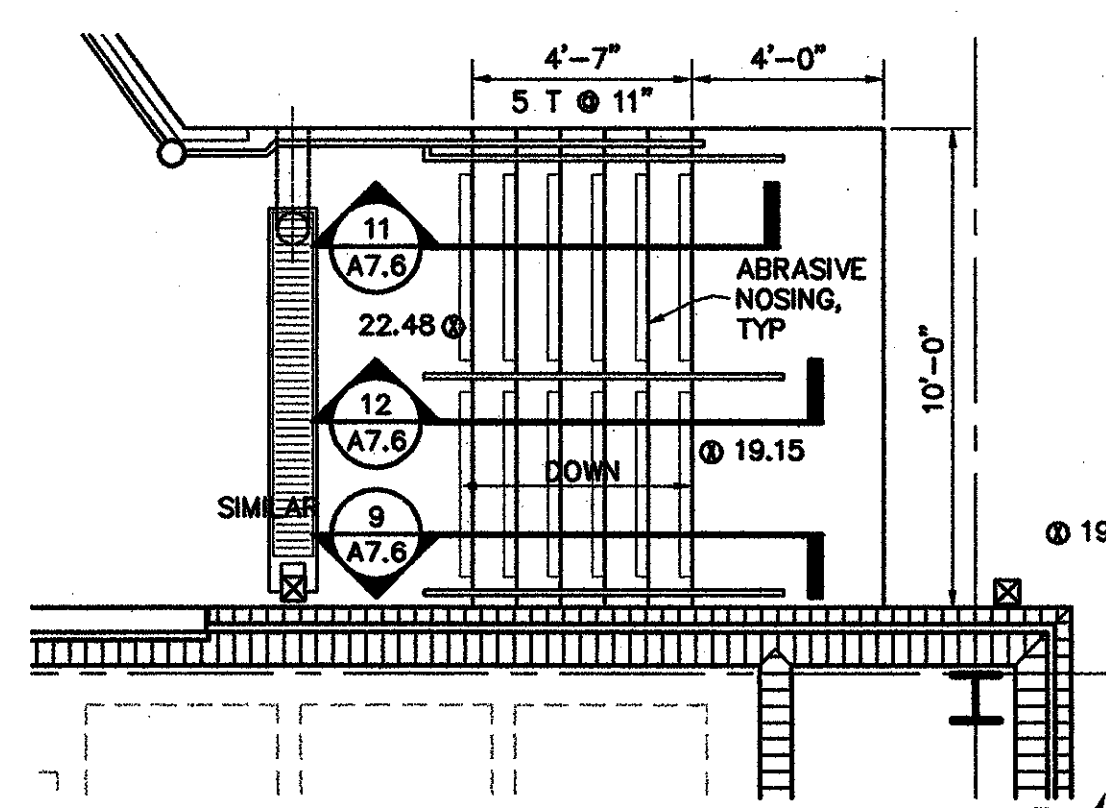


**3 STAIR ENLARGED PLAN**  
A10 | A7.8 20-0001PFD1.dwg  
1/4" = 1'-0"

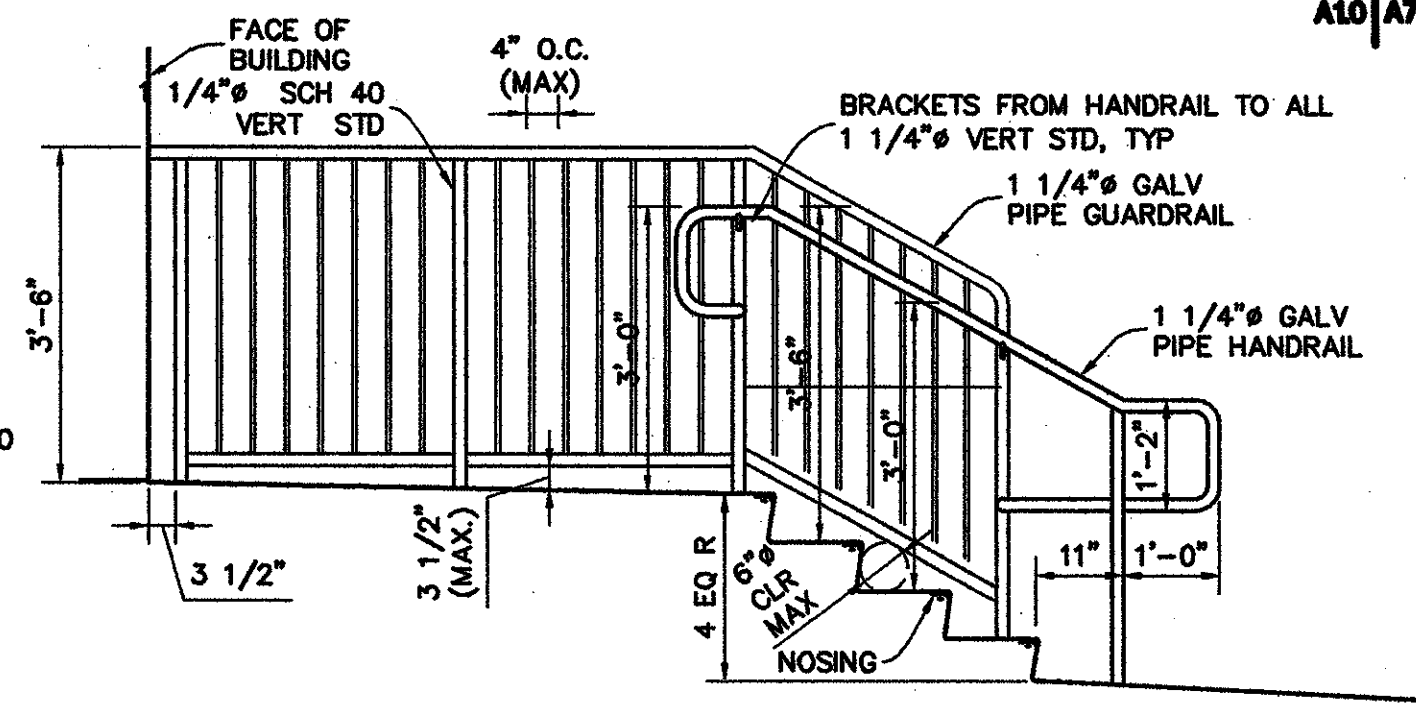
- GENERAL NOTES**
1. ALL RISERS ARE TO BE EQUAL PER SET OF STAIRS AND BETWEEN 4" TO 7" IN HEIGHT. ALL TREADS ARE TO BE 11" UNLESS NOTED OTHERWISE.
  2. PROVIDE VERTICAL STANDARDS @ 4'-0" O.C. MAX.
  3. PROVIDE 1/2" ROUND PICKETS @ 4" O.C. MAX.
  4. ALL RAIL PARTS ARE TO BE CONTINUOUSLY WELDED TOGETHER.
  5. THERE SHALL BE NO SHARP EDGES OR TURNS VISIBLE OR WITHIN REACH.
  6. ALL RAILS ARE TO BE HOT DIPPED GALVANIZED AFTER WELDING AND GRINDING IS COMPLETE.



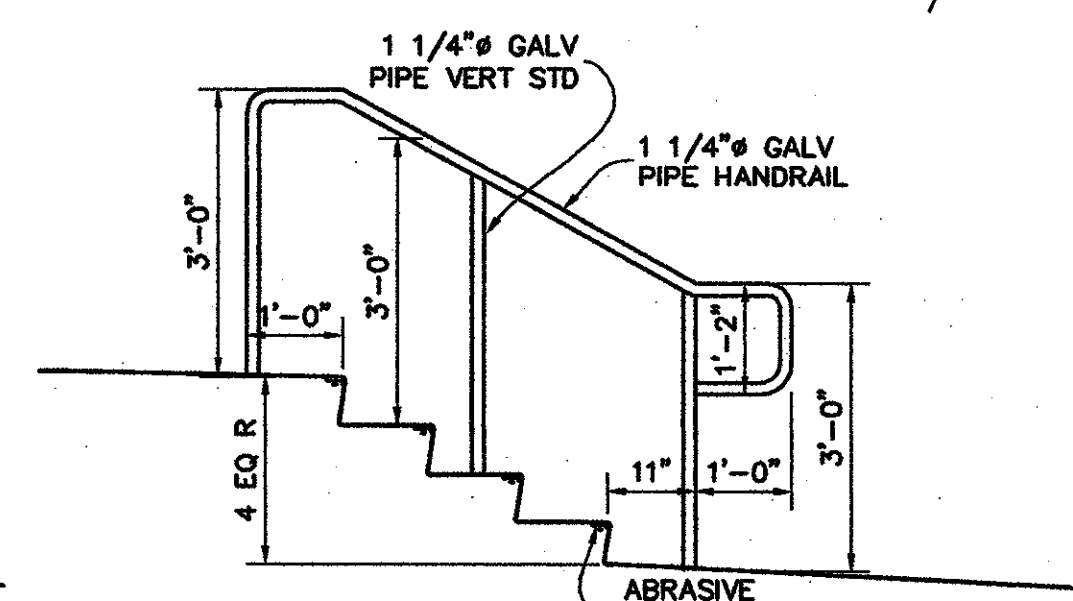
**4 STAIR ENLARGED PLAN**  
A10 | A7.8 20-0001PFD1.dwg  
1/4" = 1'-0"



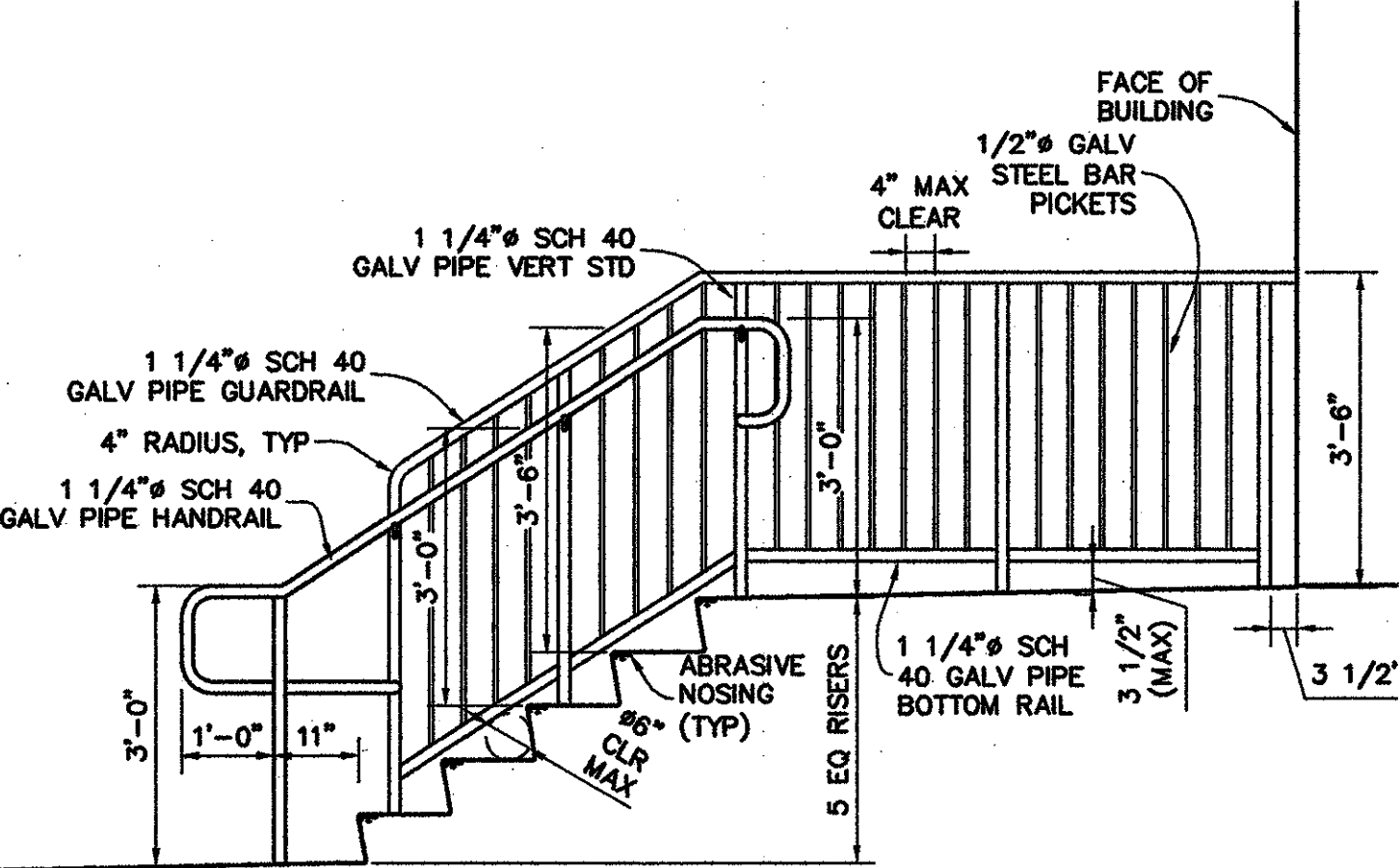
**5 STAIR ENLARGED PLAN**  
A10 | A7.8 20-0001PFD1.dwg  
1/4" = 1'-0"



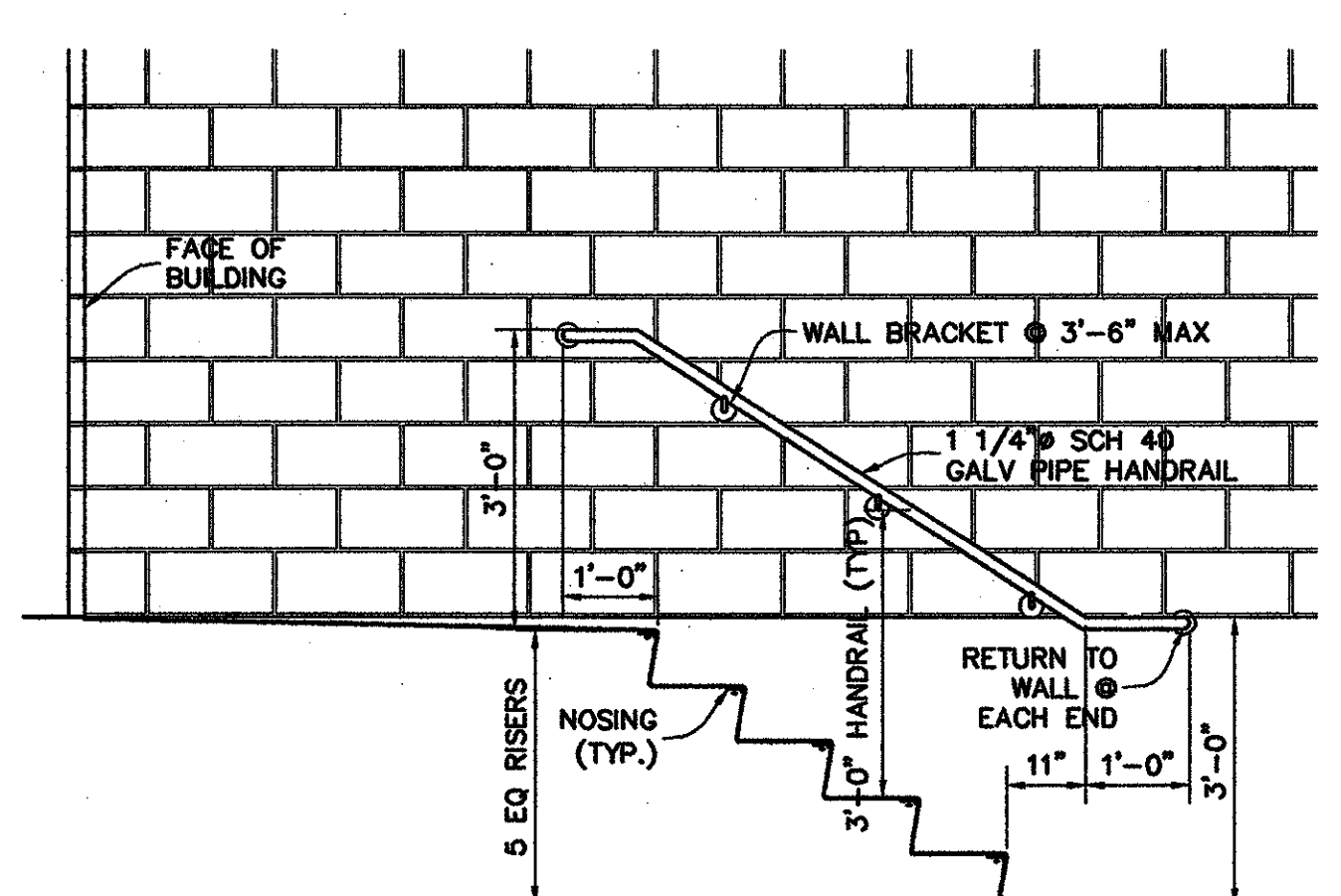
**6 GUARDRAIL, TYPE 1**  
A7.8 | A7.8 20-0001PFD1.dwg  
1/2" = 1'-0"



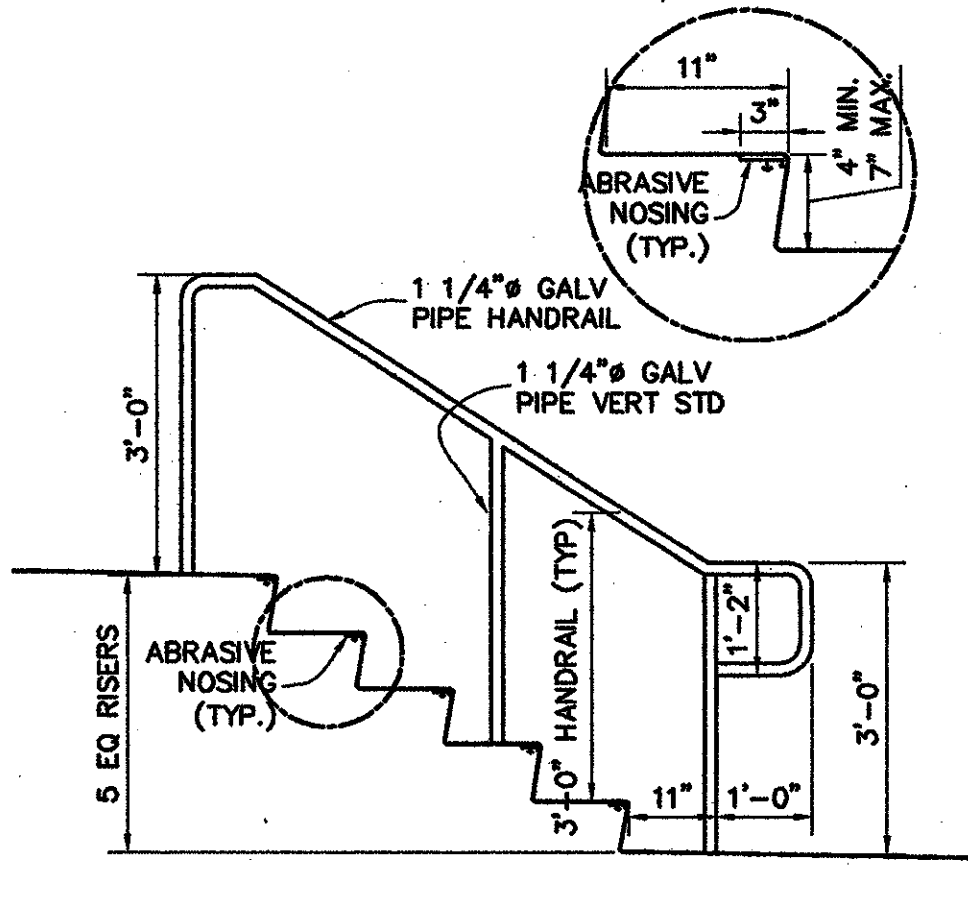
**7 HANDRAIL, TYPE 1**  
A7.8 | A7.8 20-0001PFD1.dwg  
1/2" = 1'-0"



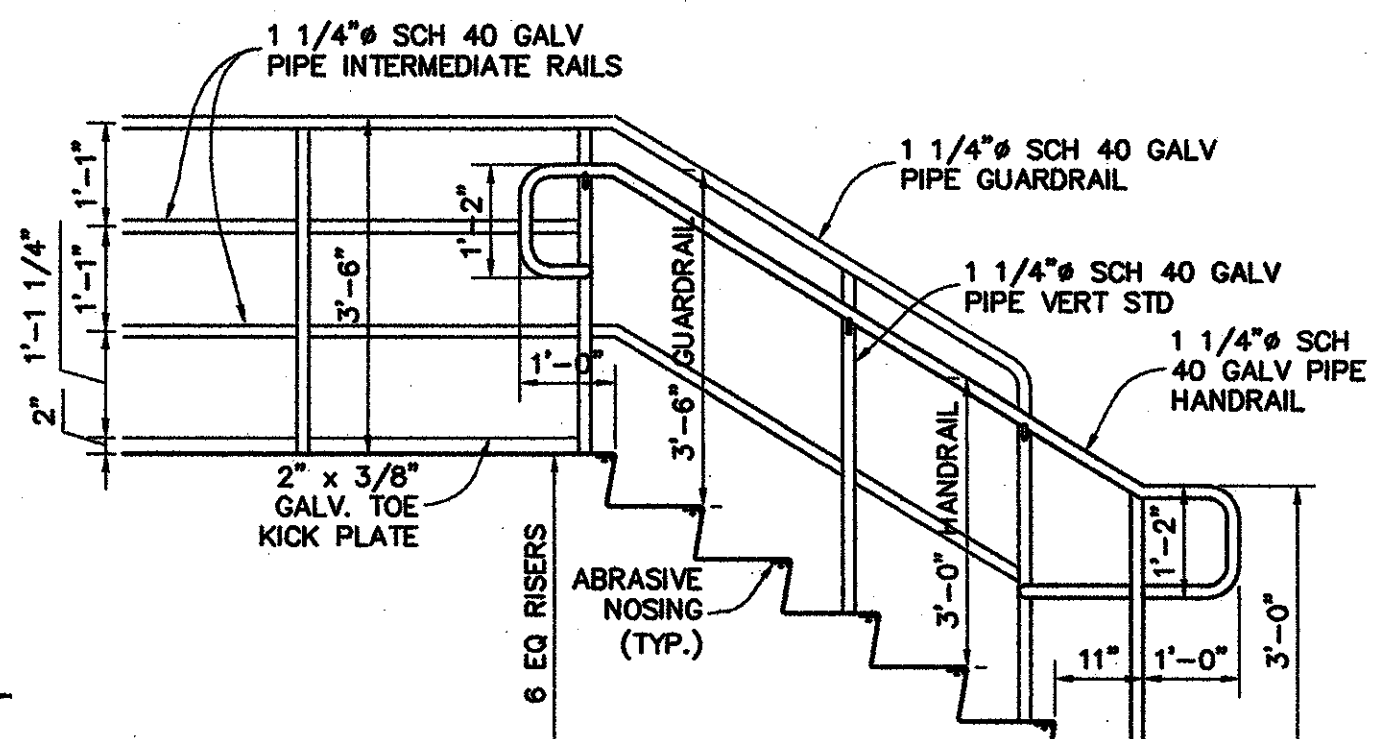
**8 GUARDRAIL, TYPE 1**  
A7.8 | A7.8 20-0001PFD1.dwg  
1/2" = 1'-0"



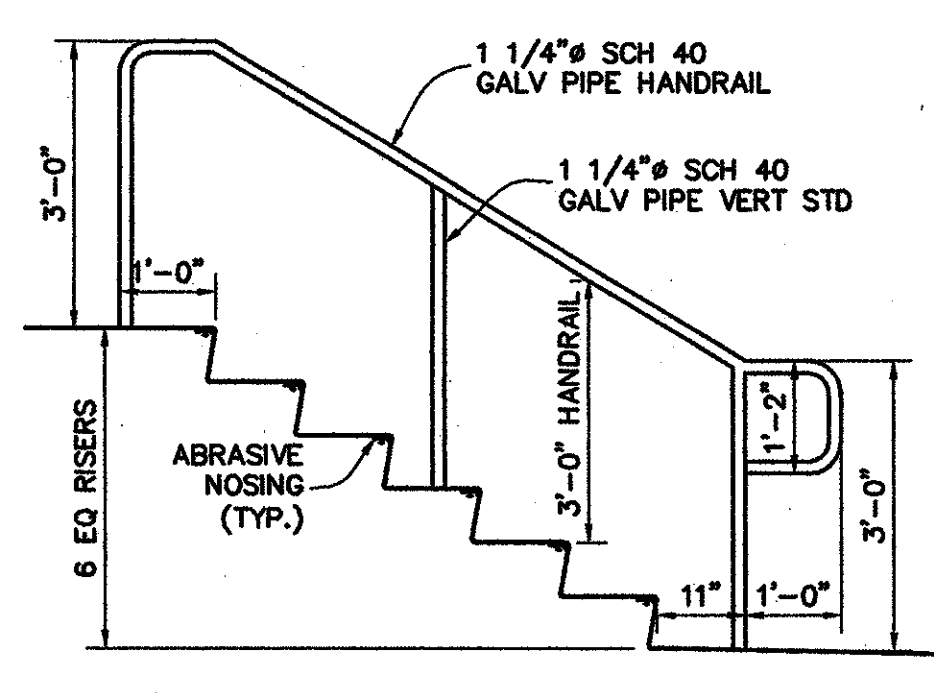
**9 HANDRAIL, TYPE 2**  
A7.8 | A7.8 20-0001PFD1.dwg  
1/2" = 1'-0"



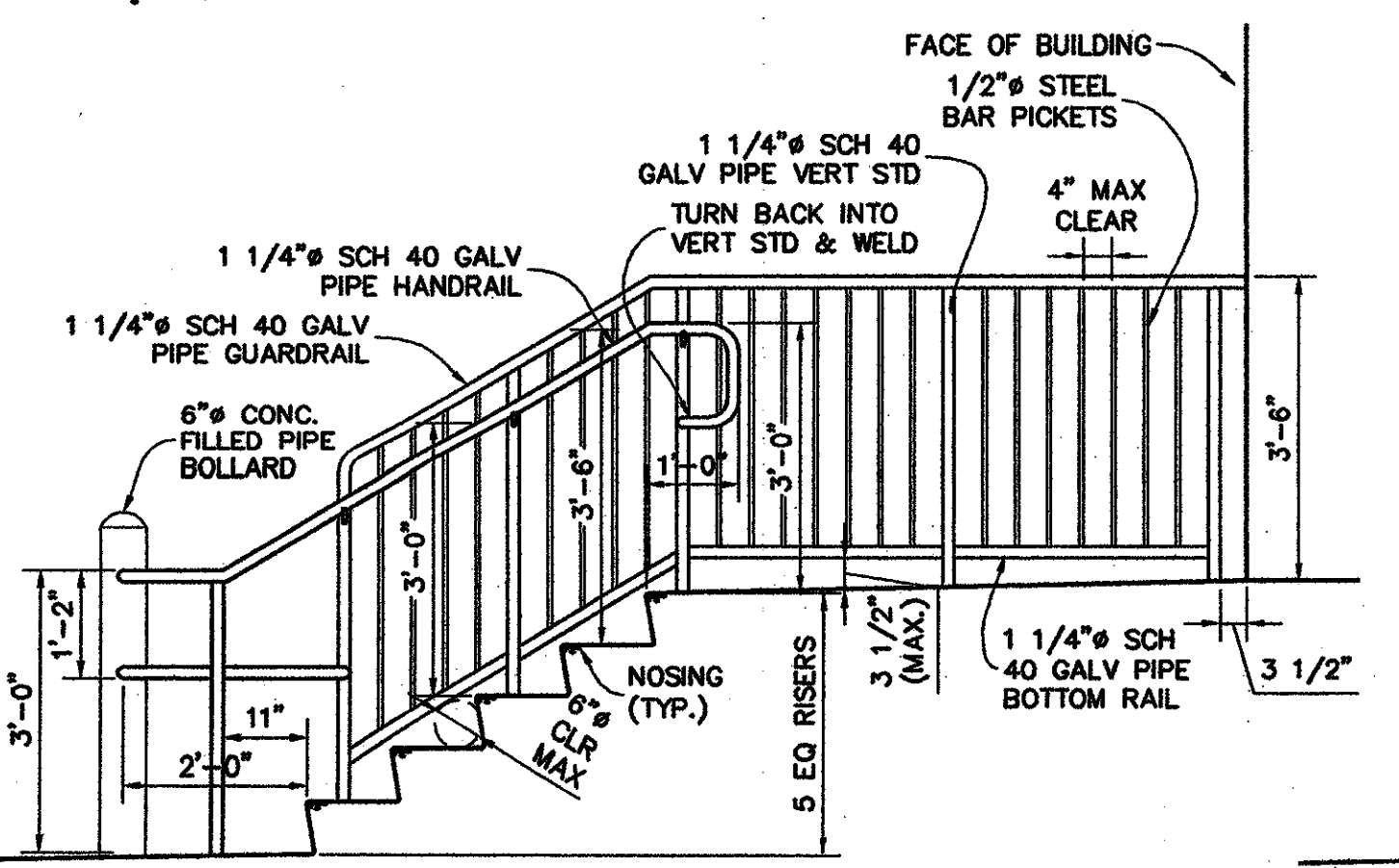
**10 HANDRAIL, TYPE 1**  
A7.8 | A7.8 20-0001PFD1.dwg  
1/2" = 1'-0"



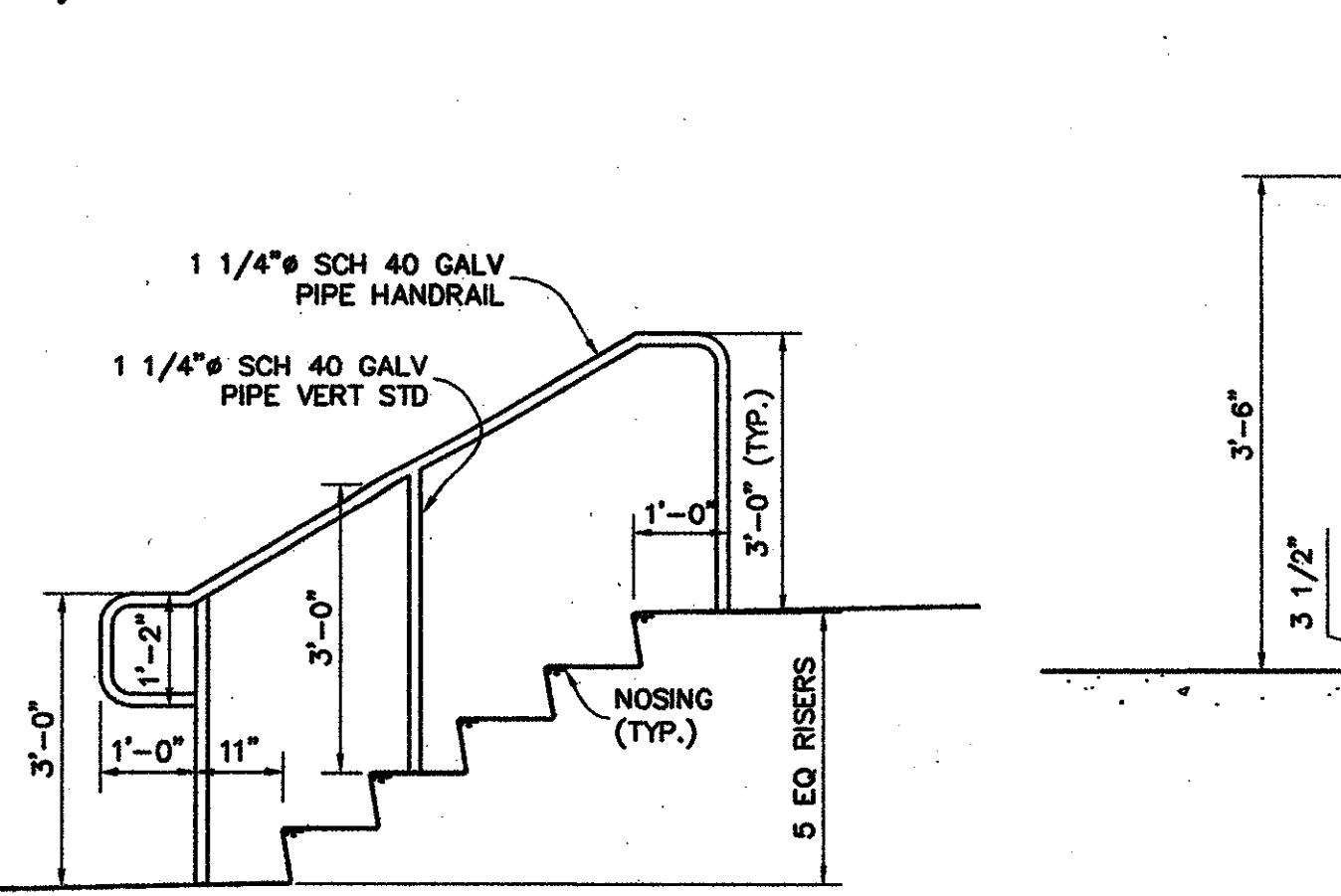
**11 GUARDRAIL, TYPE 2A**  
A7.8 | A7.8 20-0001PFD1.dwg  
1/2" = 1'-0"



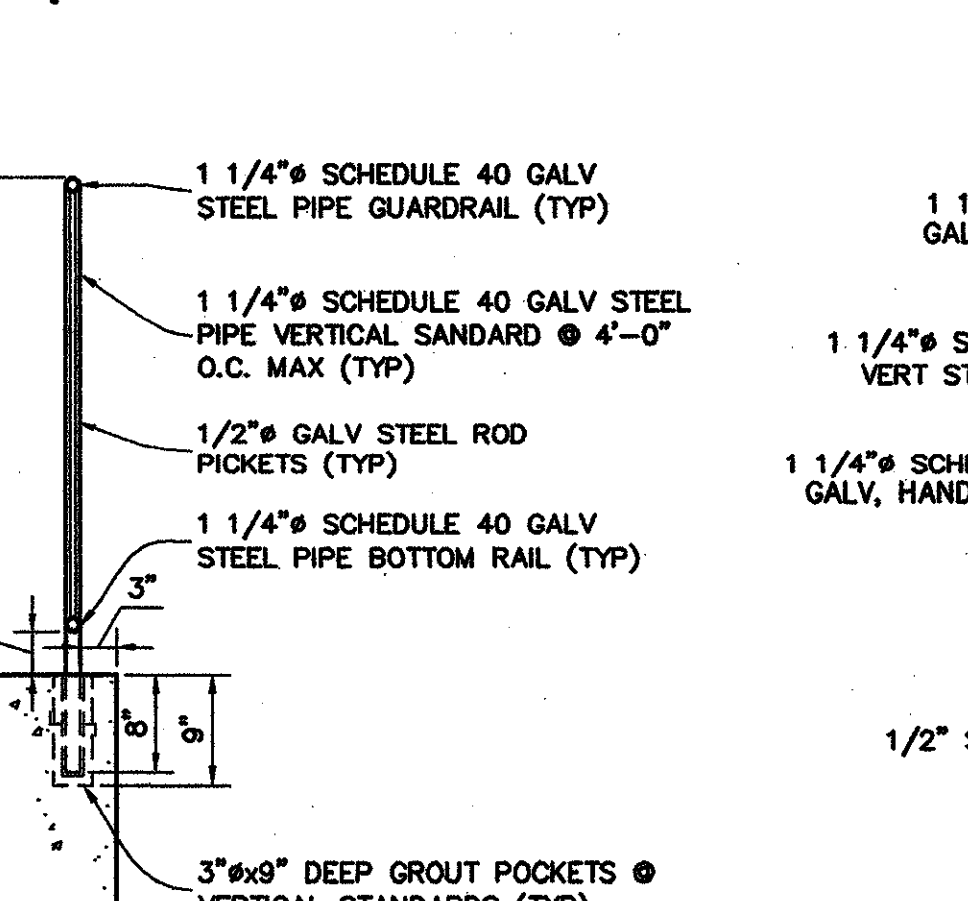
**12 HANDRAIL, TYPE 3**  
A7.8 | A7.8 20-0001PFD1.dwg  
1/2" = 1'-0"



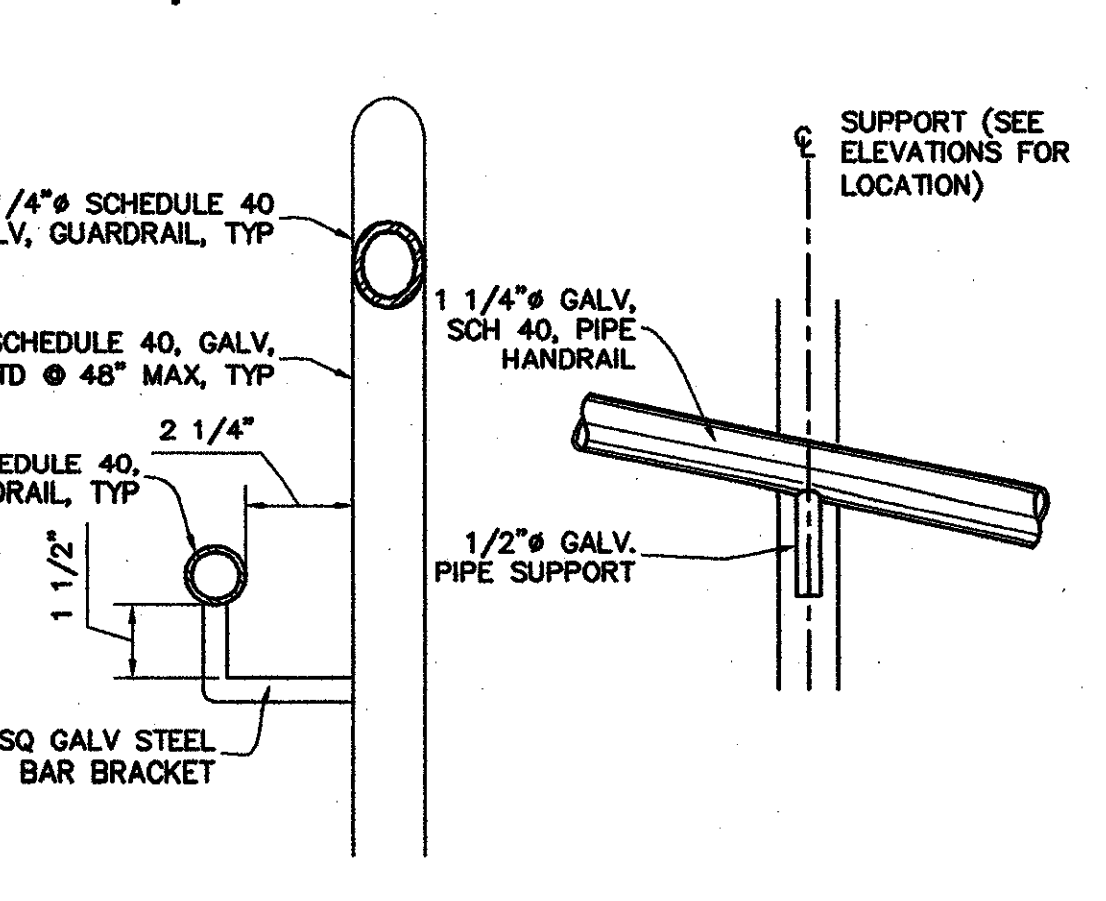
**13 GUARDRAIL, TYPE 1**  
A7.8 | A7.8 20-0001PFD1.dwg  
1/2" = 1'-0"



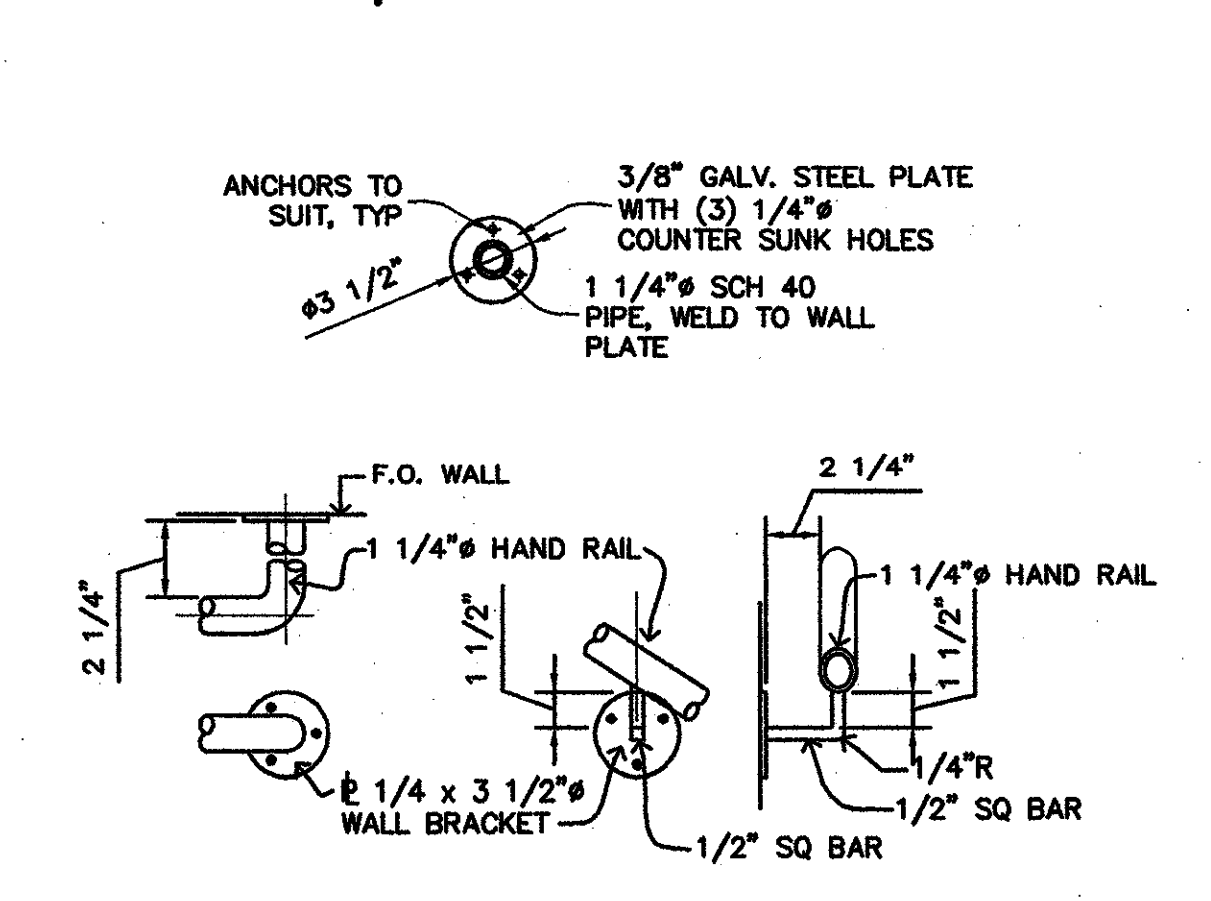
**14 HANDRAIL, TYPE 1**  
A7.8 | A7.8 20-0001PFD1.dwg  
1/2" = 1'-0"



**15 GUARDRAIL SECTION**  
A7.8 | A7.8 0531b0209GuardrailSection.DWG  
3/4" = 1'-0"

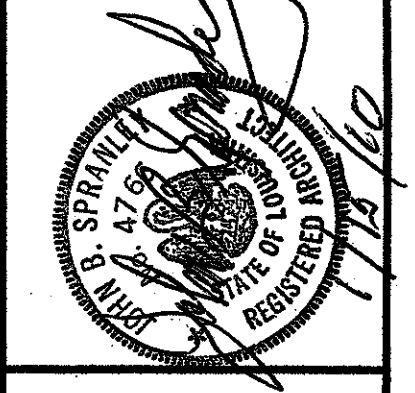


**16 HANDRAIL DETAIL**  
A7.8 | A7.8 055220209HandrailDetail.DWG  
5/8" = 1'-0"



**17 HANDRAIL DETAILS**  
A7.8 | A7.8 20-0001PFD1.dwg  
1 1/2" = 1'-0"

project no. 20-0901  
drawn JDR  
checked JJP  
date 01.15.2010  
revised



**MEYER ENGINEERS, LTD.**  
ENGINEER & ARCHITECT

**STAR AND RAILING DETAILS**  
VAL RISS PARK  
MULTI-PURPOSE BUILDING  
ST. BERNARD PARISH, OWNER

sheet no. **A7.6**  
of \_\_\_ sheets