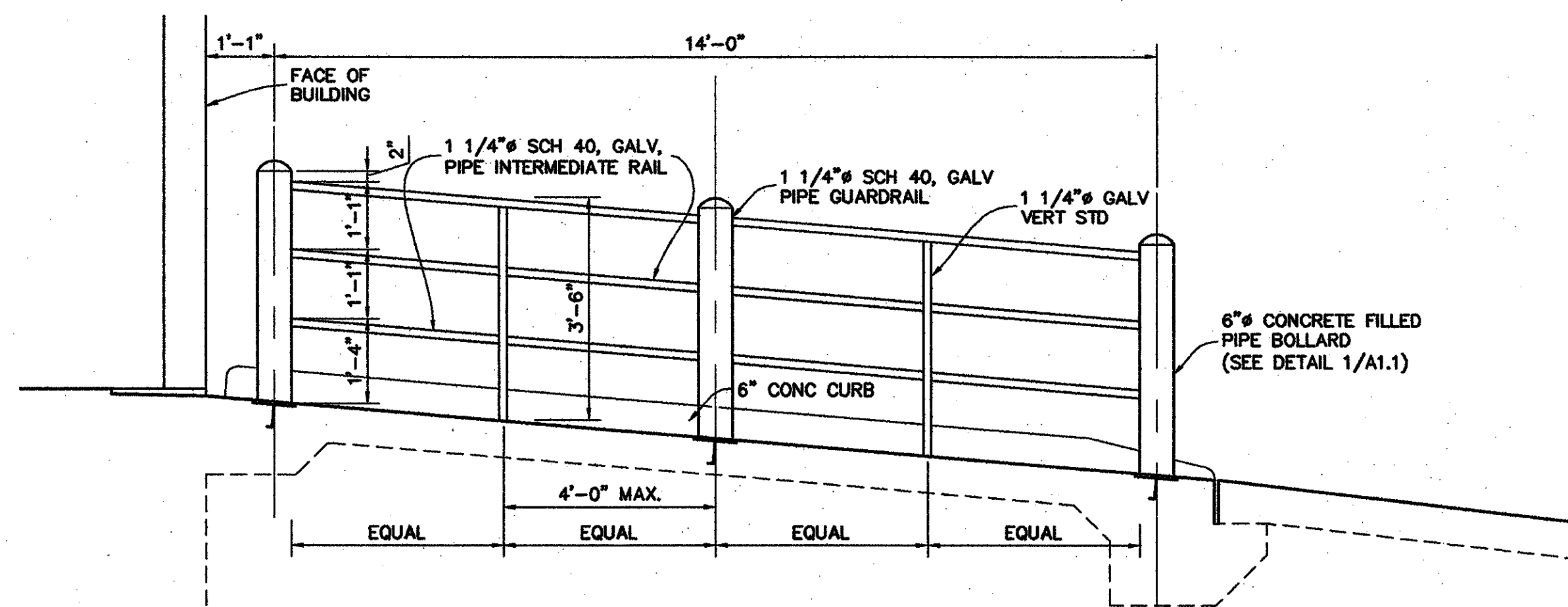
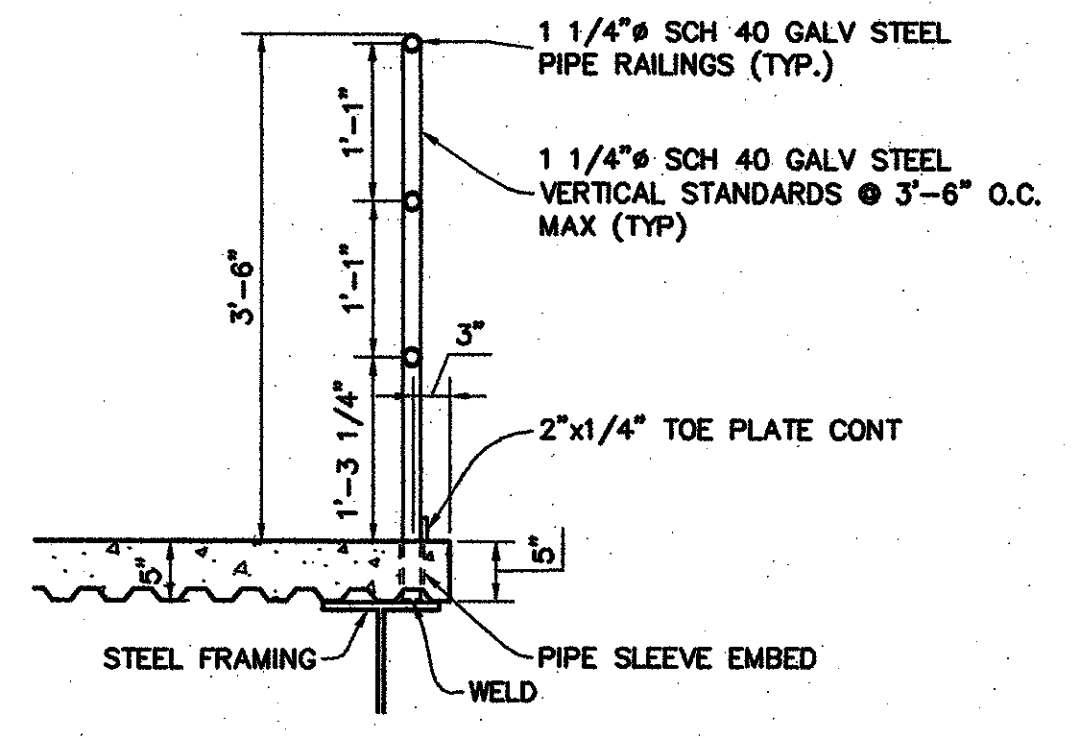


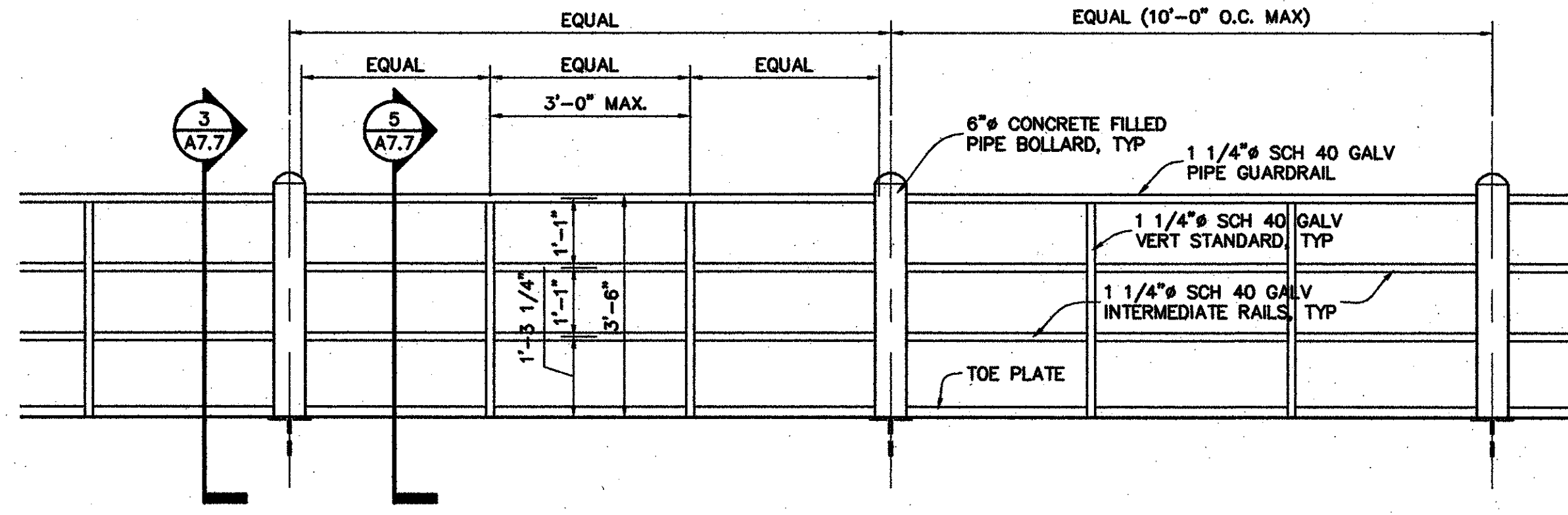
1 TYP EAST ENTRANCE RAMP PLAN
 A10/A7.7 20-0901PFD1.dwg 1/4" = 1'-0"



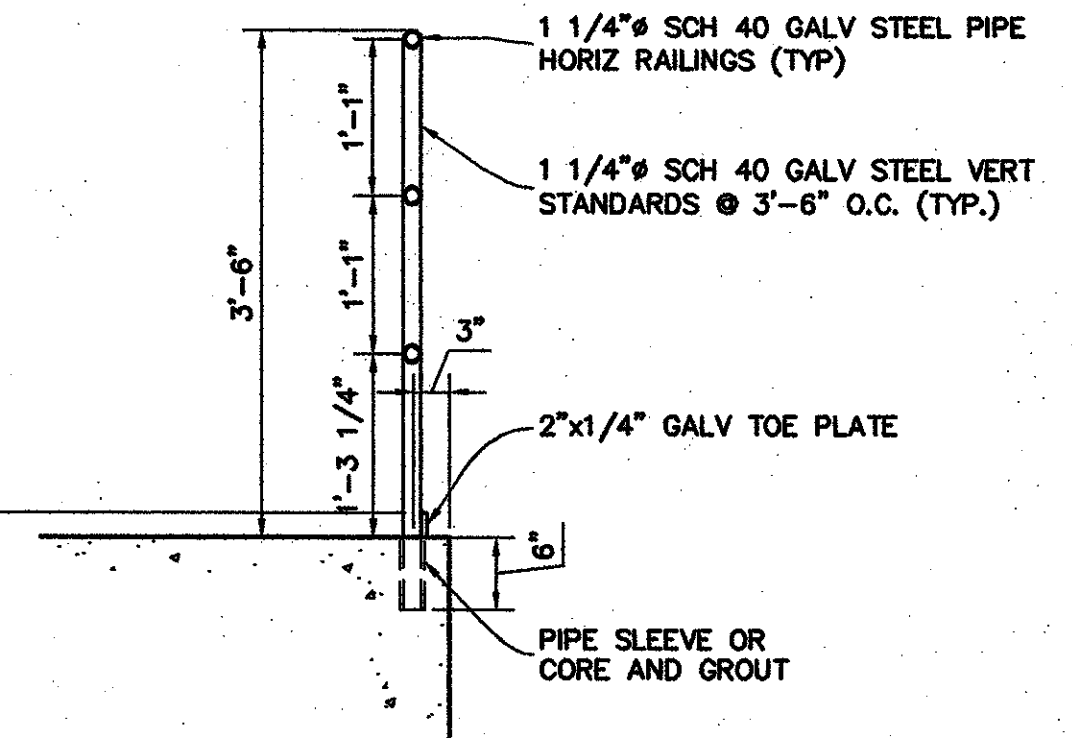
2 TYP EAST ENTRANCE RAILING DETAIL
 A7.7/A7.7 20-0901PFD1.dwg 1/2" = 1'-0"



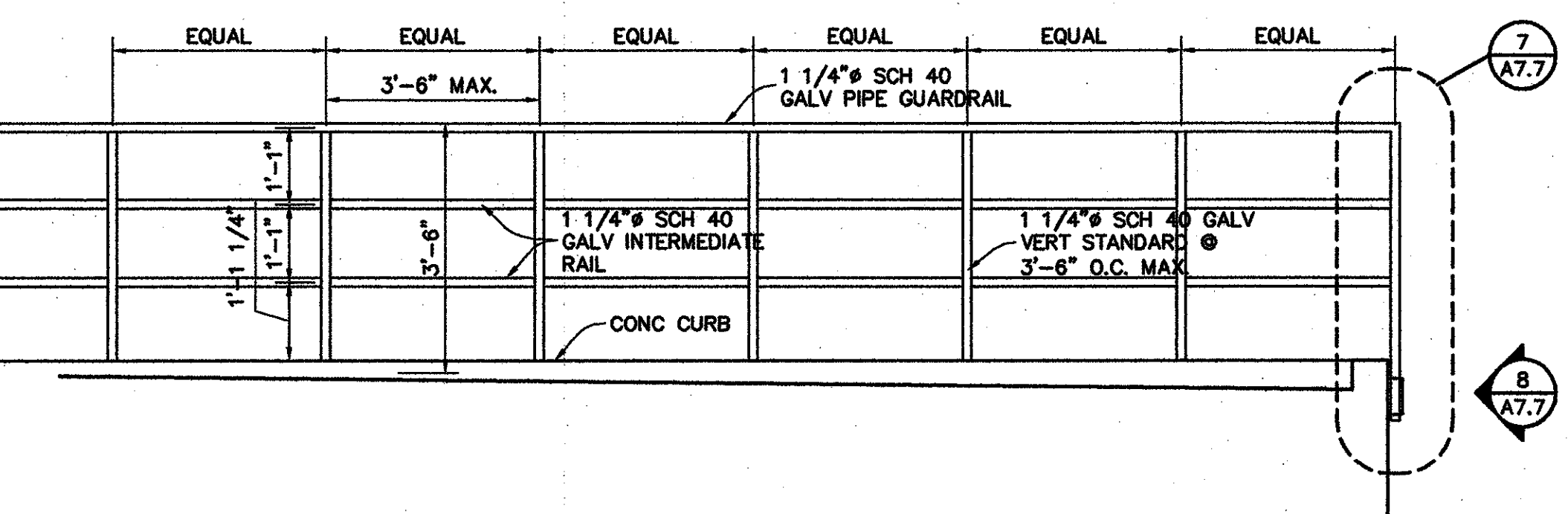
3 OSHA RAIL SECTION (RAIL TYPE 2)
 A7.7/A7.7 05316DE09GuardrailSection.DWG 3/4" = 1'-0"



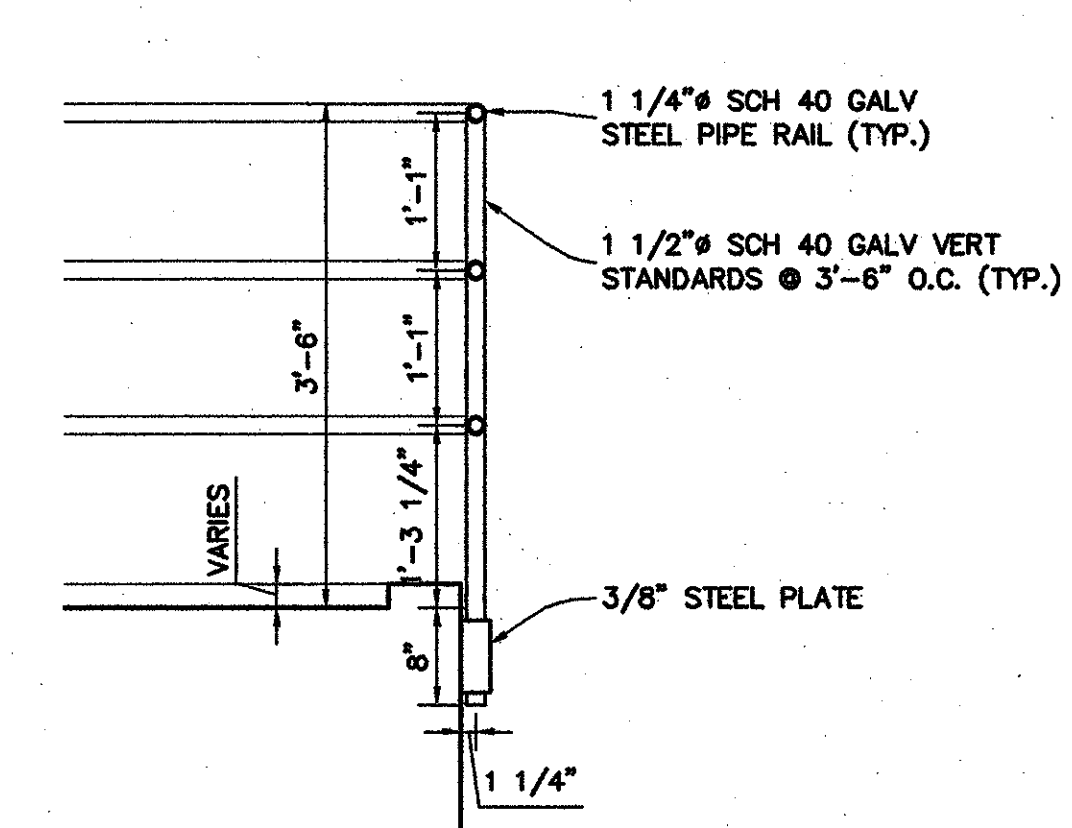
4 TYP LOADING DOCK RAILING DETAIL
 A2.1/A7.7 20-0901PFD1.dwg 1/2" = 1'-0"



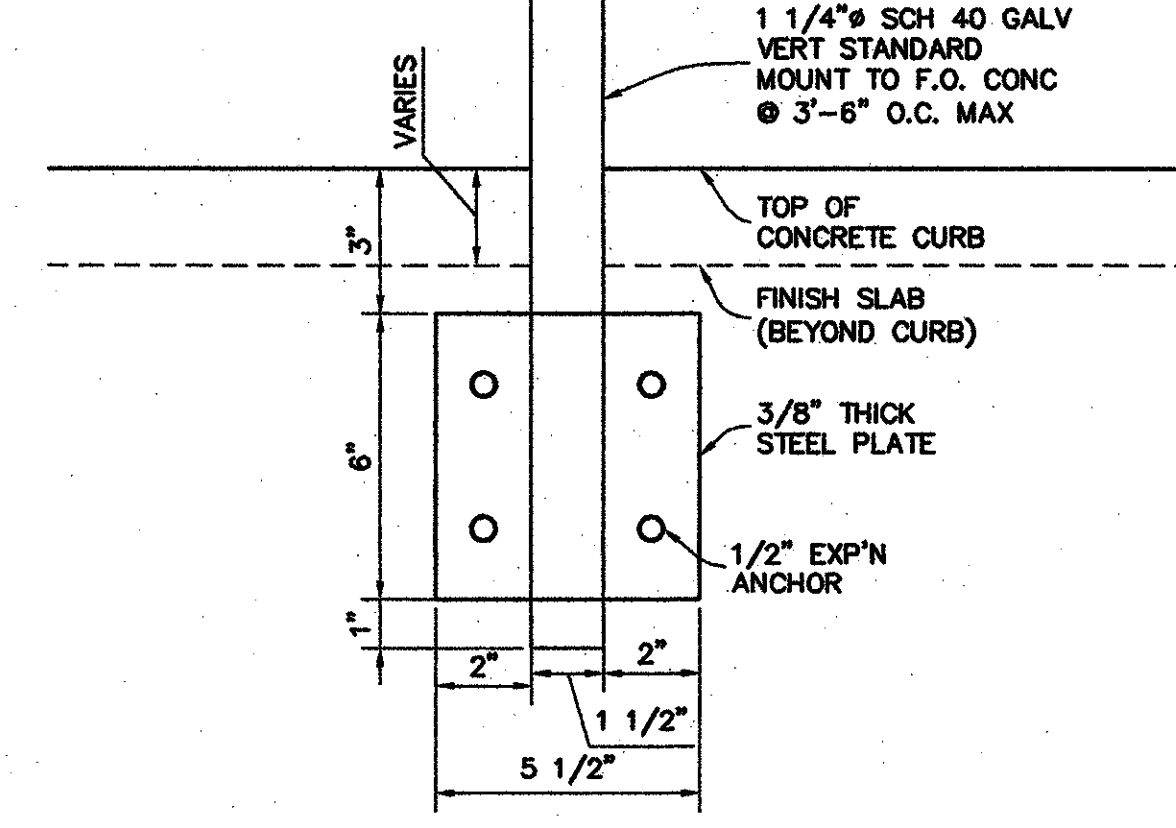
5 OSHA RAIL SECTION (RAIL TYPE 2A)
 A7.7/A7.7 05316DE09GuardrailSection.DWG 3/4" = 1'-0"



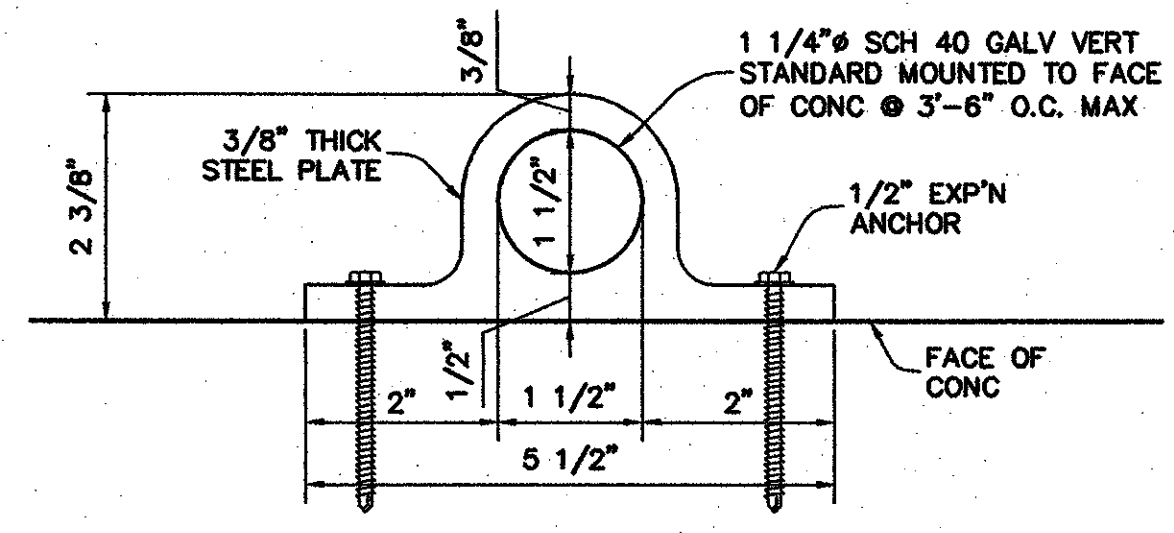
6 TYP CHILLER PLATFORM RAILING
 A7.7/A7.7 20-0901PFD1.dwg 1/2" = 1'-0"



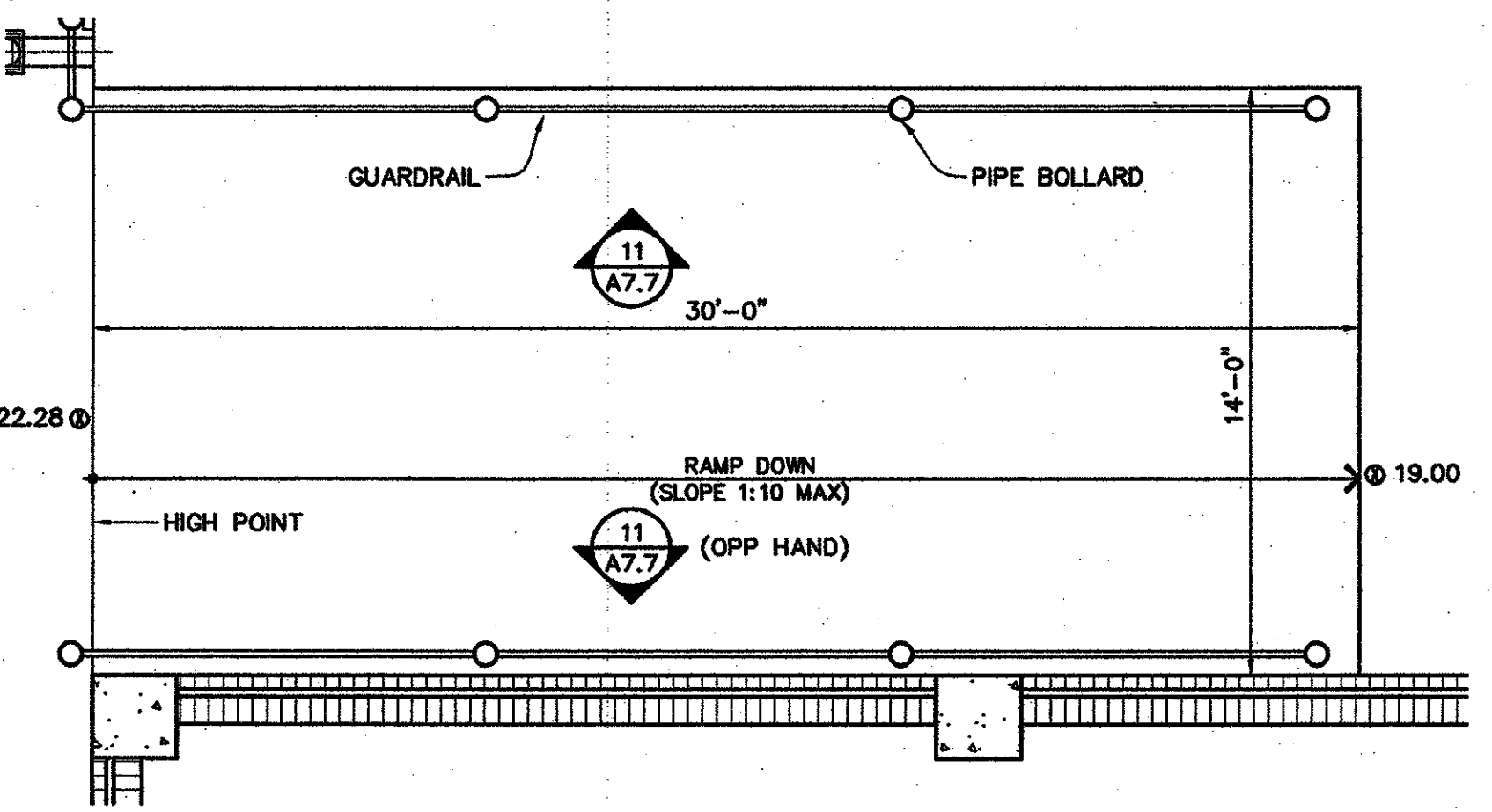
7 RAIL SECTION (RAIL TYPE 3)
 A7.7/A7.7 20-0901PFD1.dwg 3/4" = 1'-0"



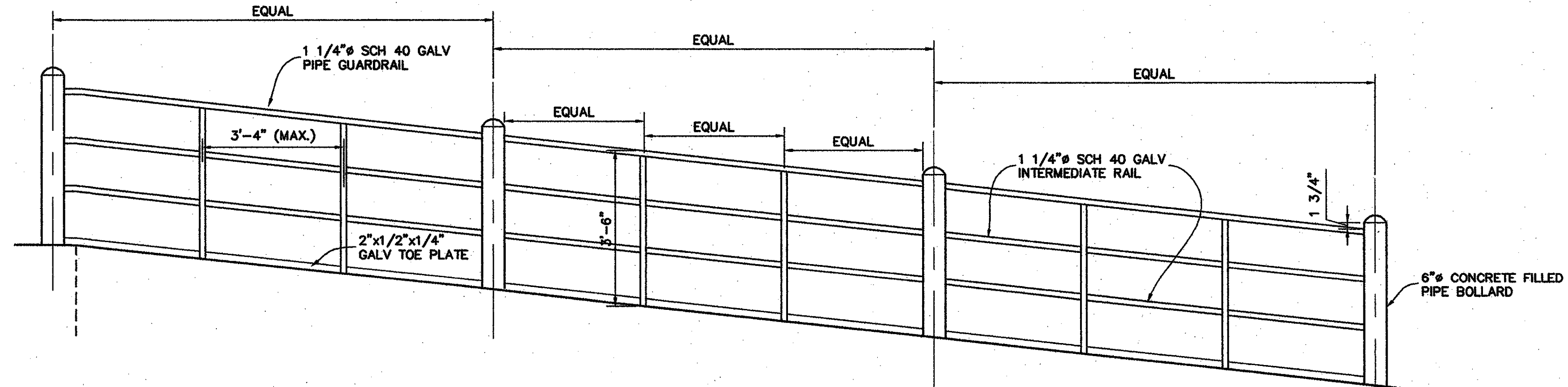
8 RAIL ELEVATION (RAIL TYPE 3)
 A7.7/A7.7 20-0901PFD1.dwg 5" = 1'-0"



9 ENLARGED RAIL PLAN (RAIL TYPE 3)
 A7.7/A7.7 20-0901PFD1.dwg 6" = 1'-0"

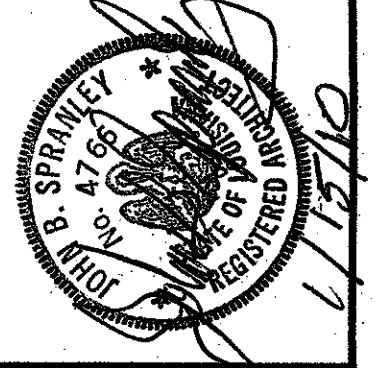


10 LOADING DOCK RAMP PLAN
 A10/A7.7 20-0901PFD1.dwg 1/4" = 1'-0"



11 LOADING DOCK RAILING DETAIL
 A7.7/A7.7 20-0901PFD1.dwg 1/2" = 1'-0"

project no. 20-0901
 JDR
 JJP
 checked
 date 01.15.2010
 revised



MEYER ENGINEERS, LTD.
 ENGINEER & ARCHITECT

STAR AND RAILING DETAILS
VAL RESS PARK
 MULTI-PURPOSE BUILDING
 ST. BERNARD PARISH, OWNER

sheet no. **A7.7**
 of ___ sheets