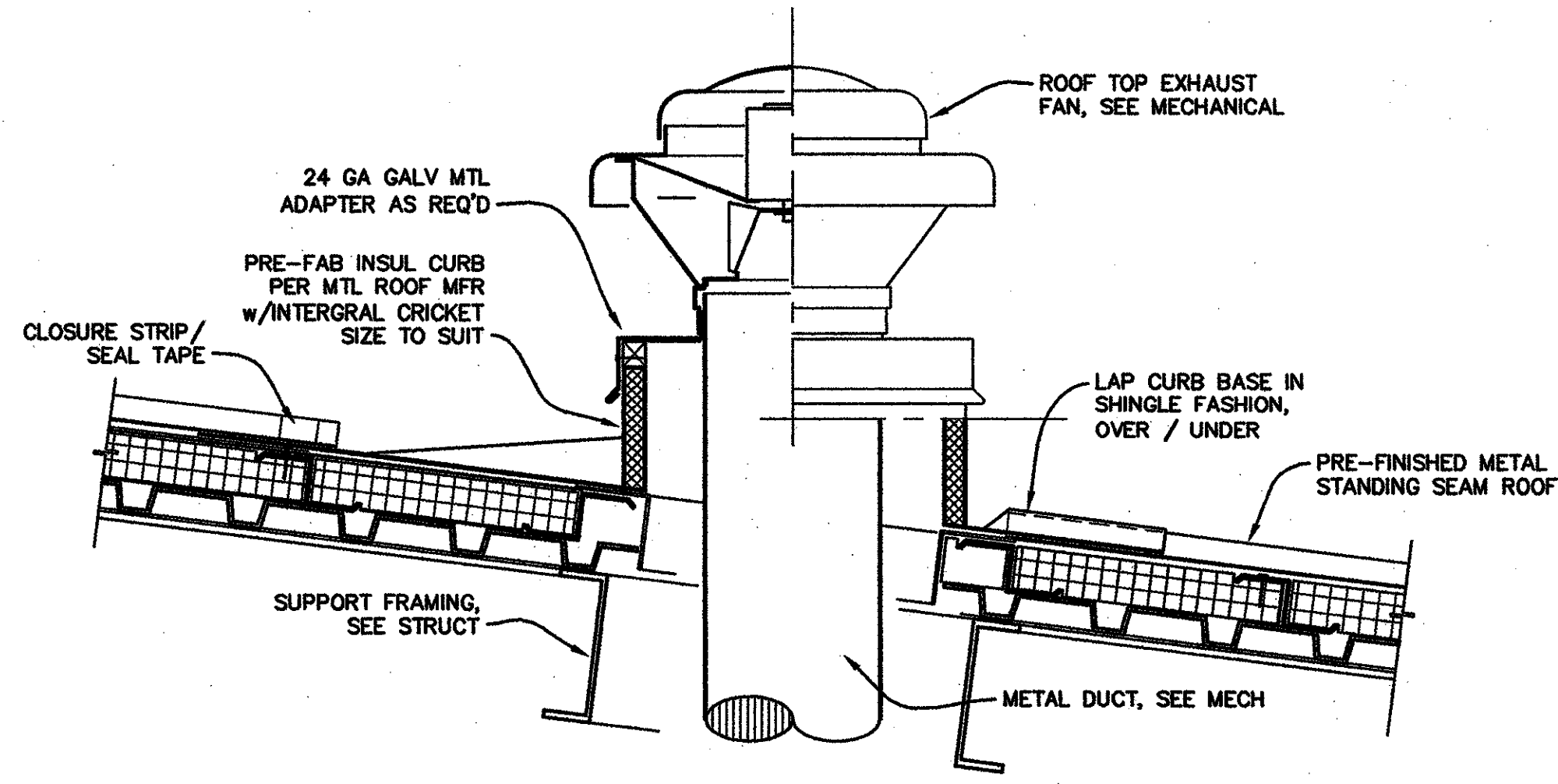
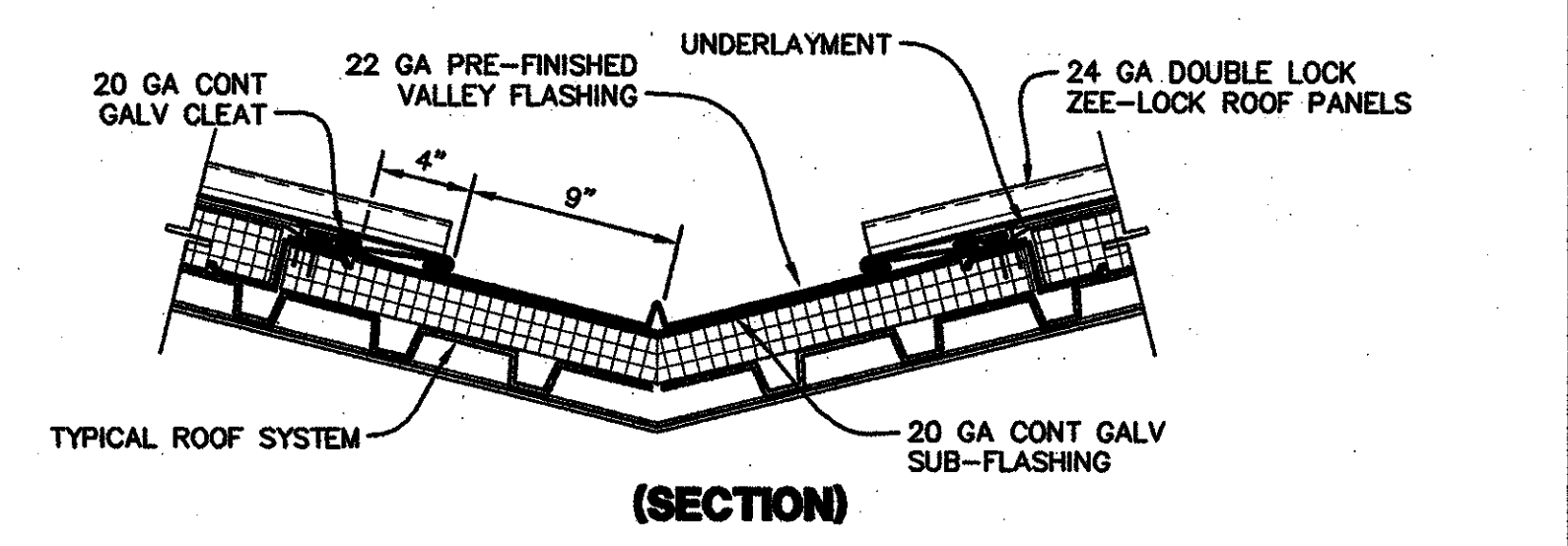


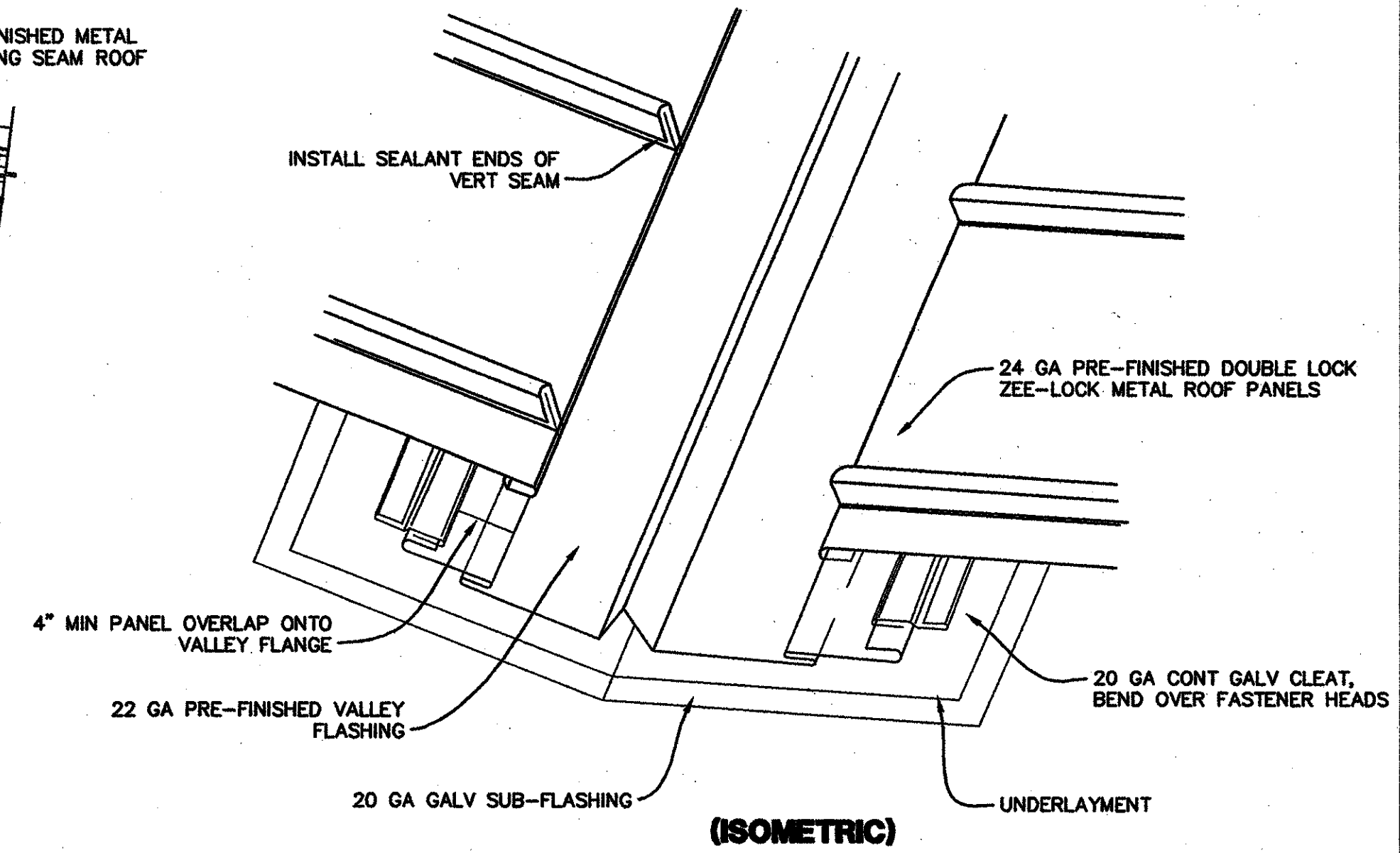
1 RAKE DETAIL @ 3:12 ROOF
A&O/AB2 3" = 1'-0"



2 TYP EXHAUST FAN DETAIL
A&O/AB2 1 1/2" = 1'-0"

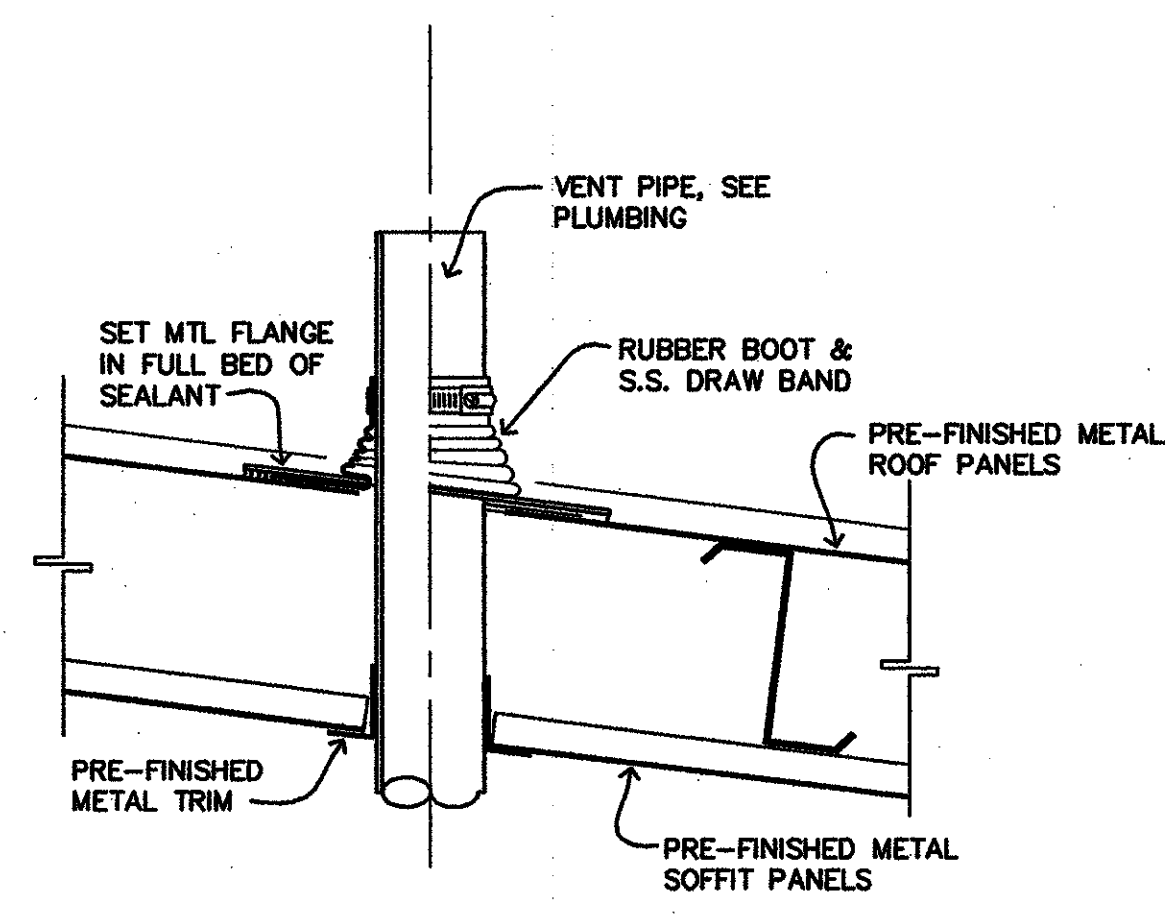


(SECTION)

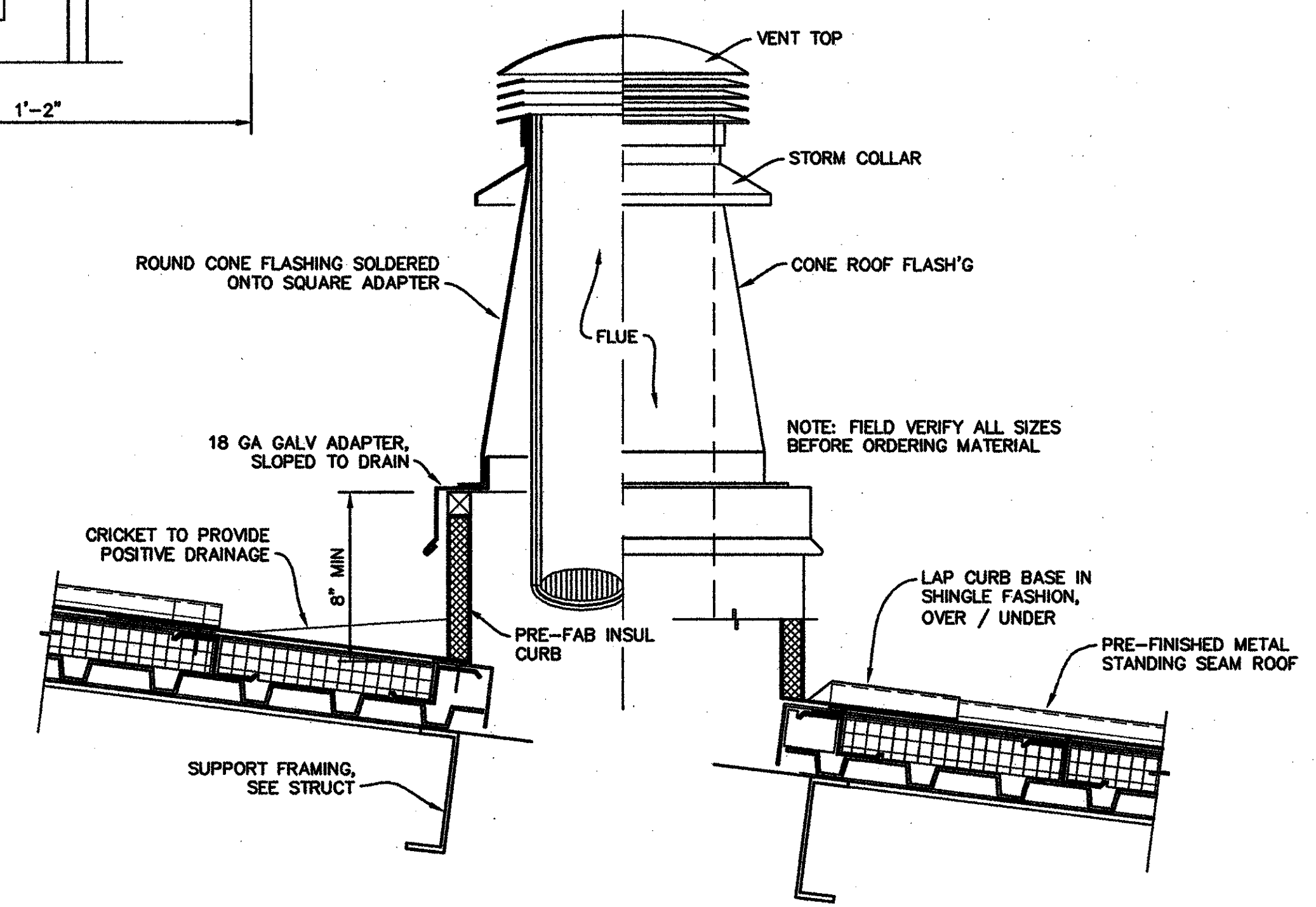


(ISOMETRIC)

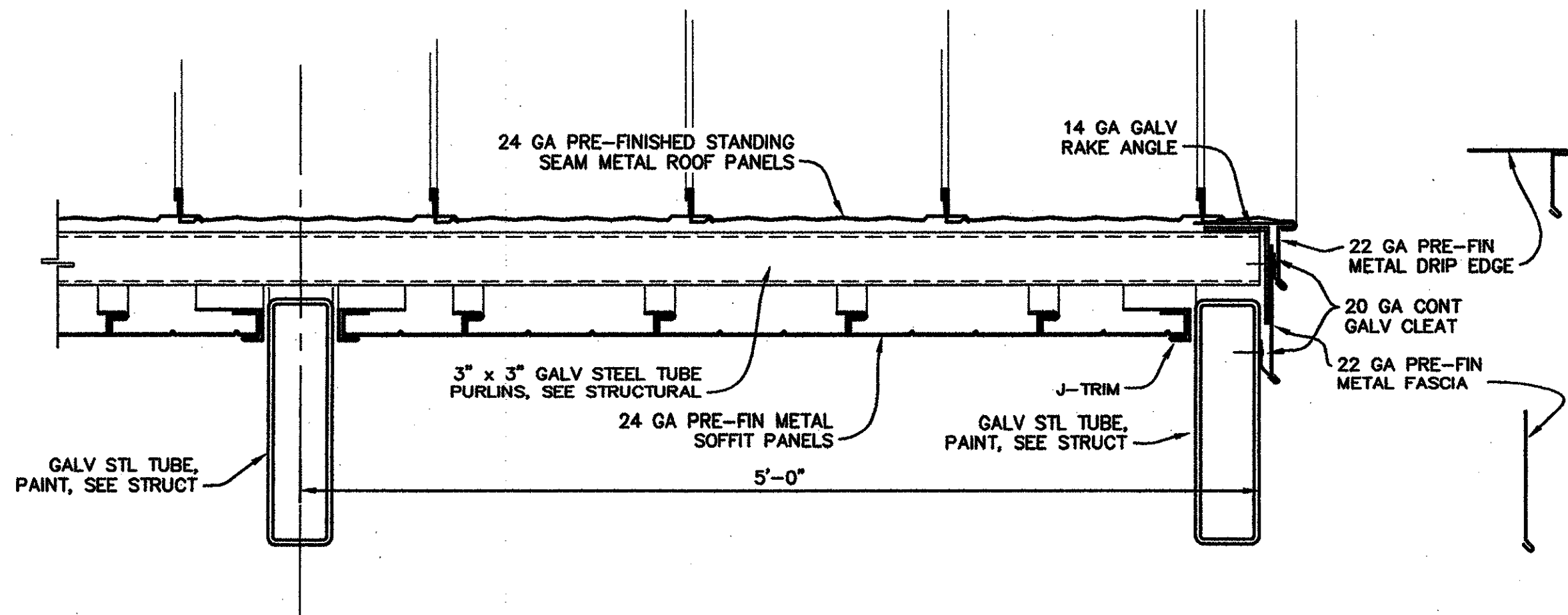
3 TYPICAL VALLEY DETAIL
A&O/AB2 1 1/2" = 1'-0"



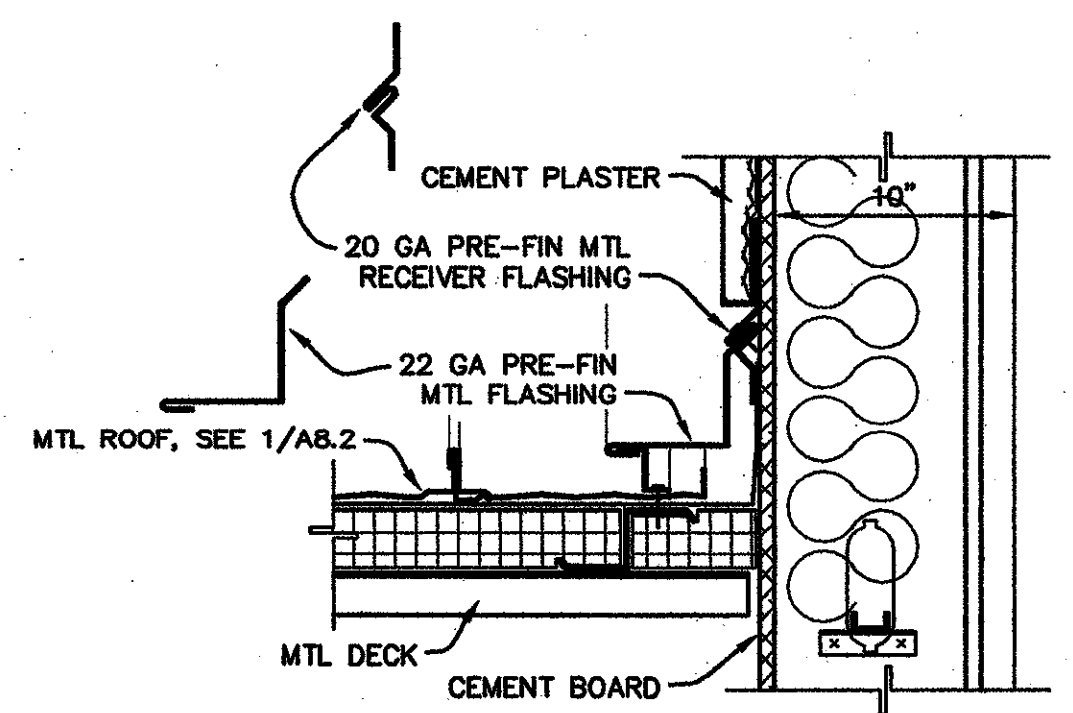
4 TYPICAL V.T.R. DETAIL
A&O/AB2 1 1/2" = 1'-0"



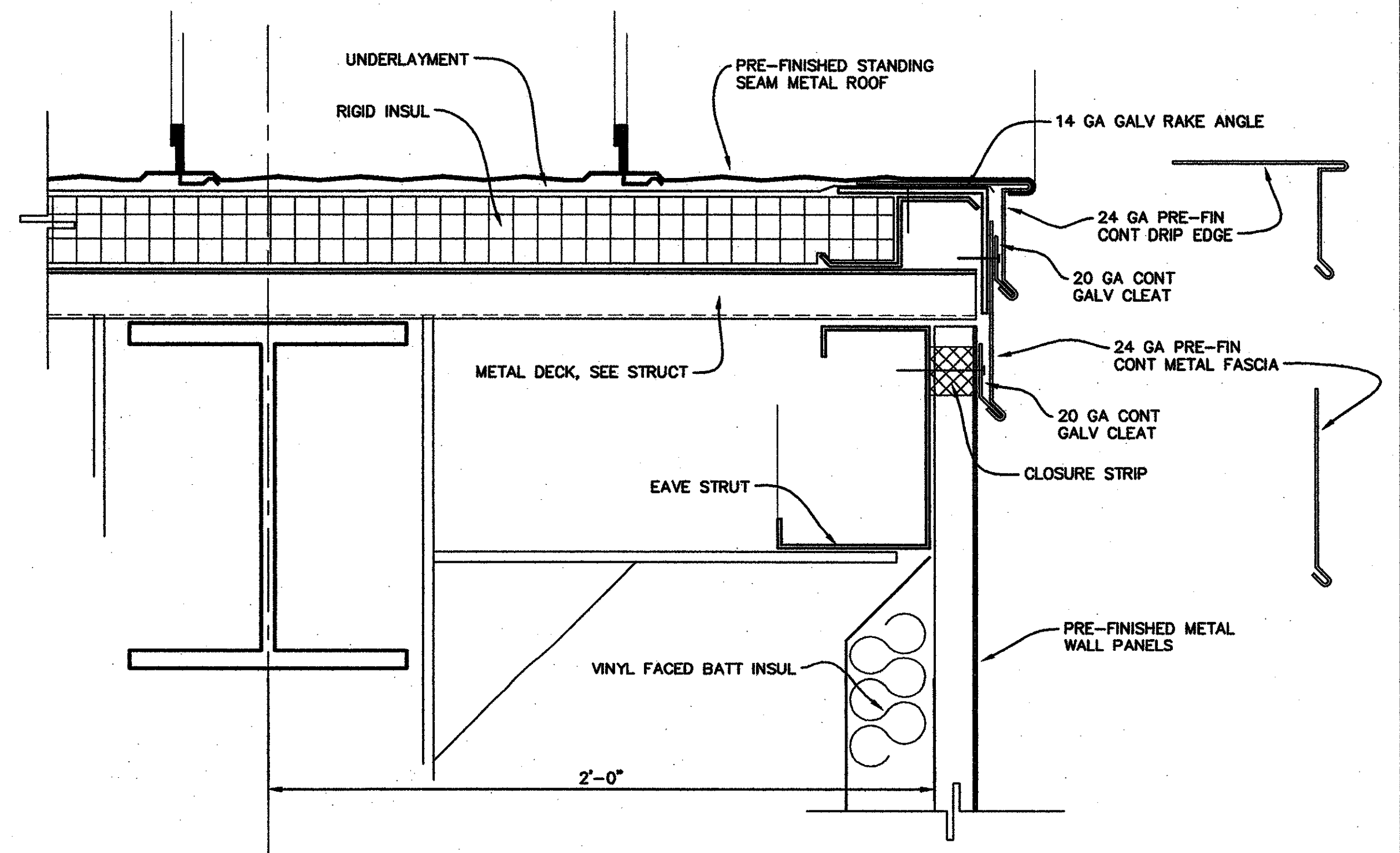
5 TYPICAL FLUE DETAIL
A&O/AB2 1 1/2" = 1'-0"



6 RAKE @ PORTE COCHERE
A&O/AB2 1 1/2" = 1'-0"

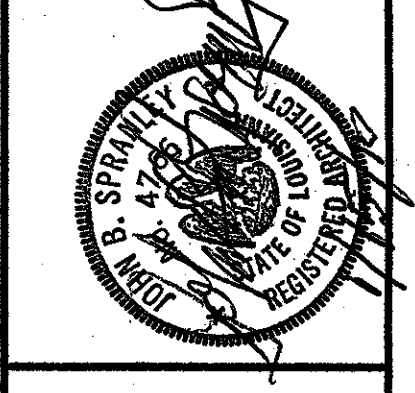


7 RAKE @ EXTERIOR WALL
A&O/AB2 1 1/2" = 1'-0"



8 RAKE @ LEAN-TO
A&O/AB2 3" = 1'-0"

project no. 20-0901
drawn JDR
checked JJP
date 01.15.2010
revised



MEYER ENGINEERS, LTD.
ENGINEER & ARCHITECT

ROOF DETAILS
VAL RISS PARK
MULTI-PURPOSE BUILDING
ST. BERNARD PARISH, OWNER

sheet no. **A8.2**
of ___ sheets