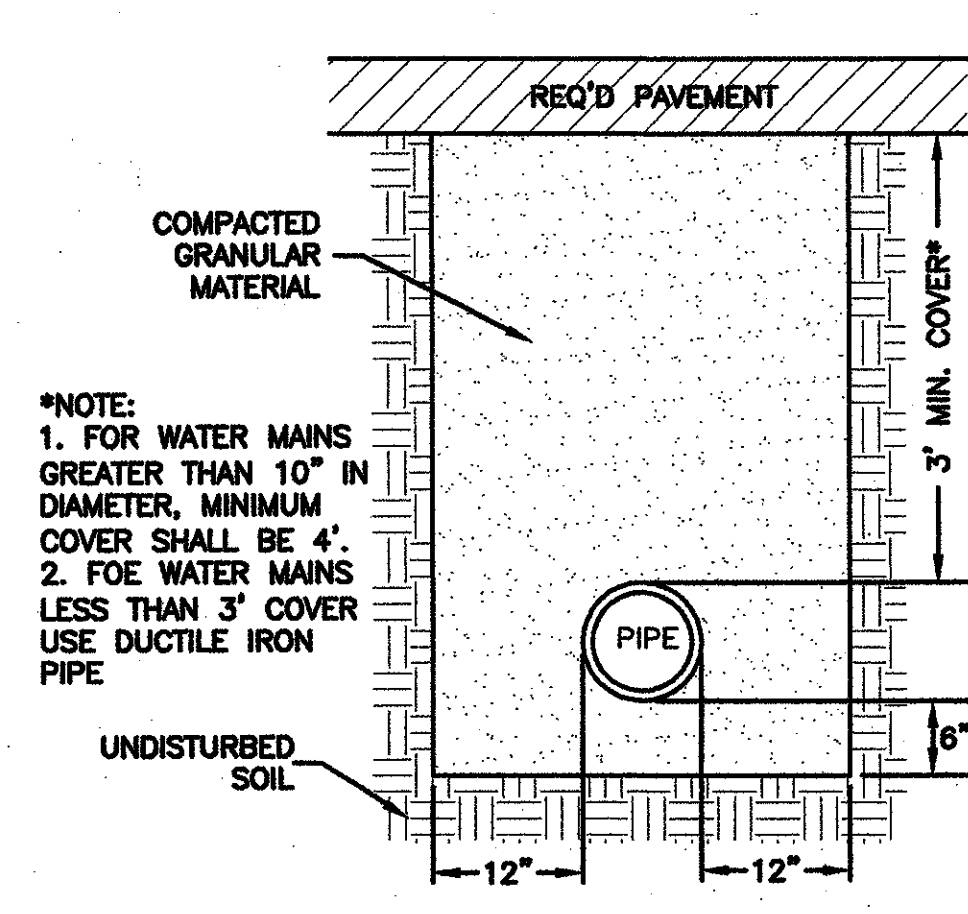
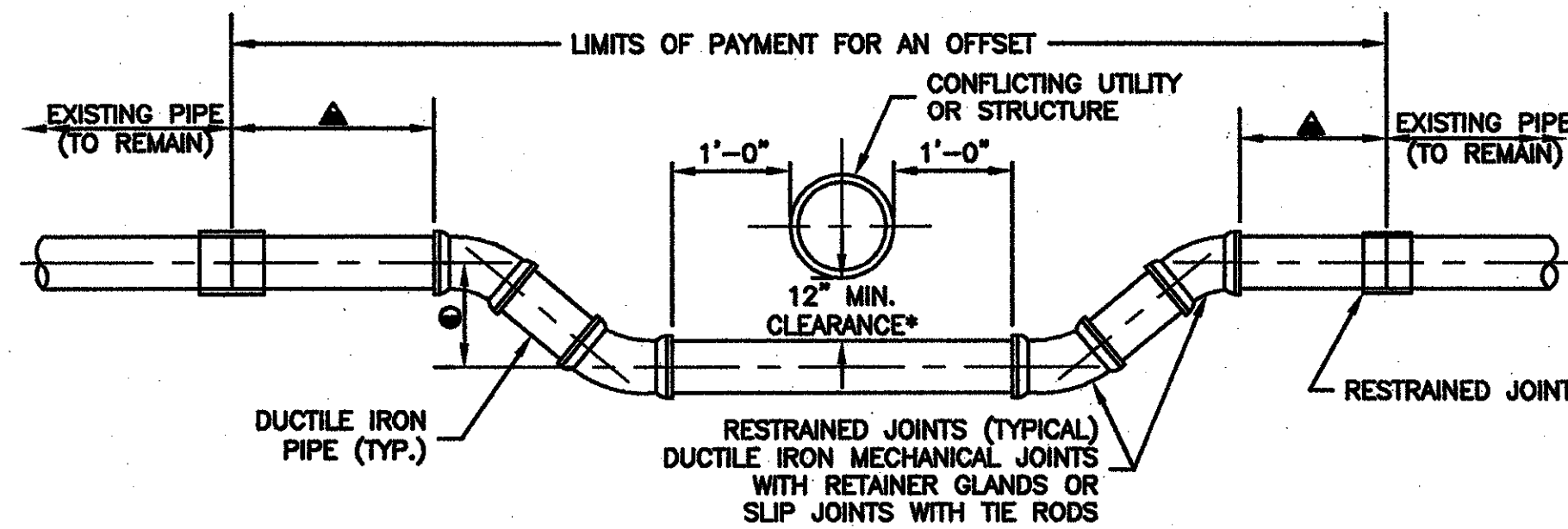


1 PVC WATER MAIN INSTALLATION UNDER NATURAL GROUND
 X 02730X21.dwg N.T.S.

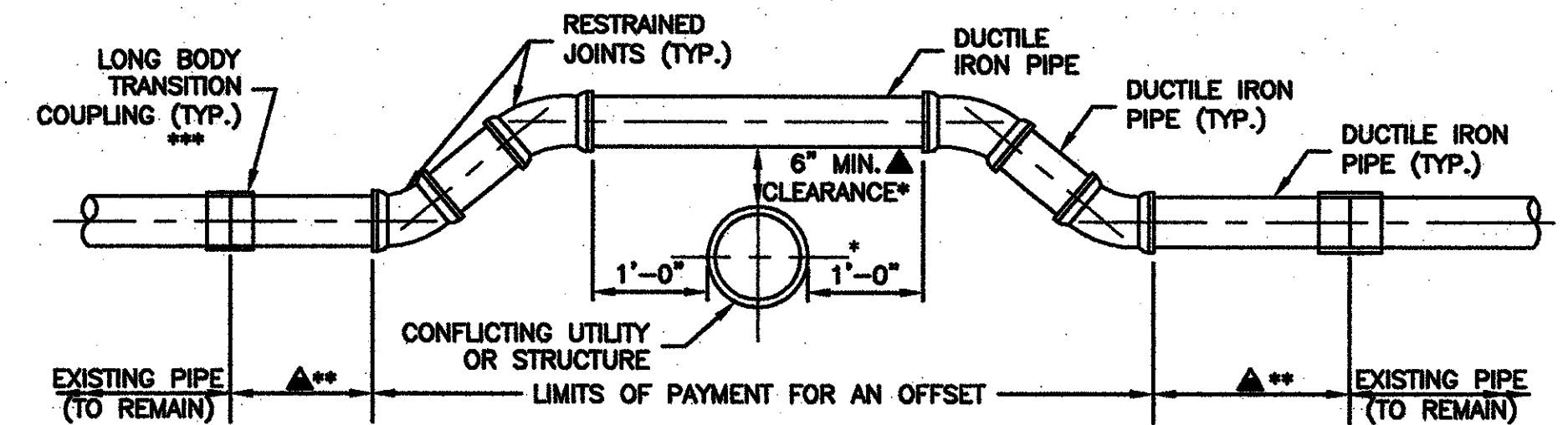


2 PVC WATER MAIN INSTALLATION UNDER PAVEMENT
 X 02730X20.dwg N.T.S.



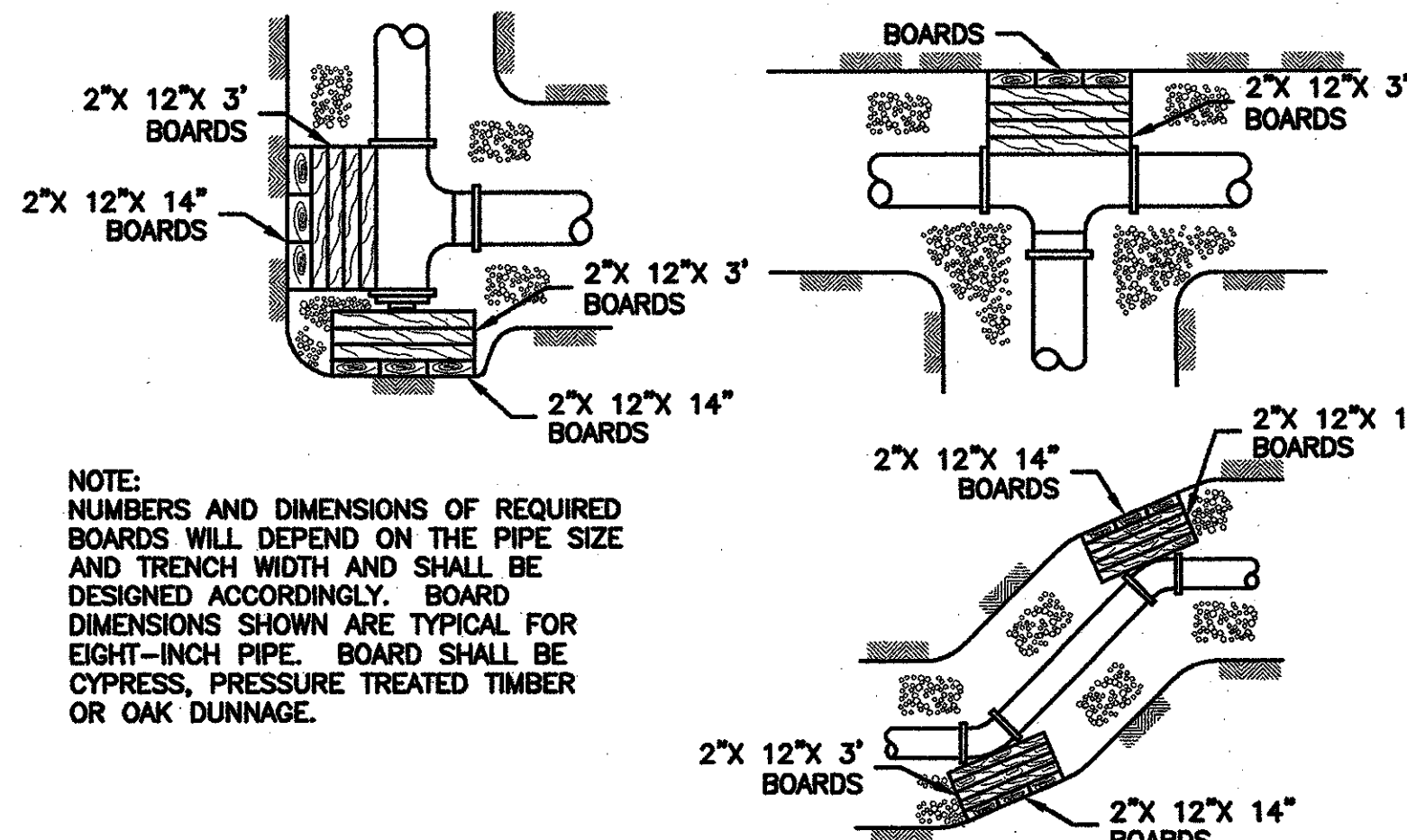
3 MAIN OFFSET (WATER OR SEWER) BELOW
 X 02665M29mainoffset.DWG N.T.S.

* 18" MIN. CLEARANCE BETWEEN SEWER FORCE MAINS AND WATER LINES
 ● IF OFFSET IS LESS THAN 2'-0", THEN P.V.C. (C-900) PIPE MAY BE USED IN LIEU OF DUCTILE IRON PIPE
 ▲ FOR PIPES 8" AND SMALLER, RESTRAIN ALL JOINTS WITHIN 20'. FOR PIPES 10" AND LARGER, RESTRAIN ALL JOINTS WITHIN 40'.



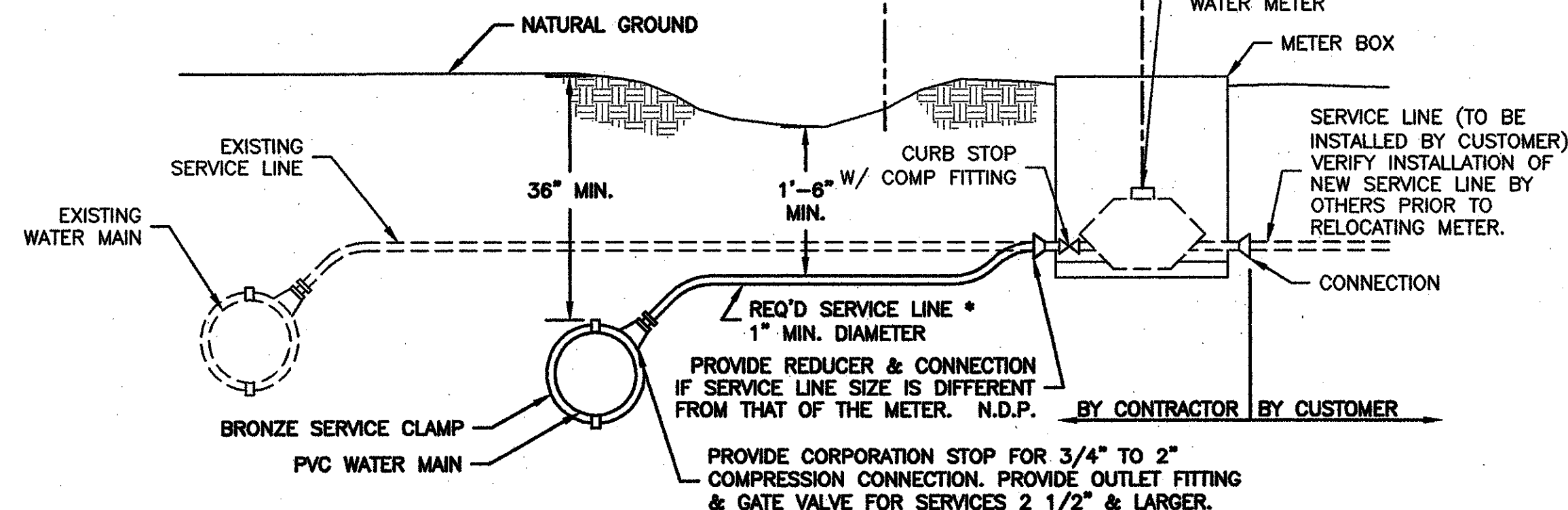
4 MAIN OFFSET (WATER OR SEWER) ABOVE
 X N.T.S.

* 18" MIN. CLEARANCE BETWEEN SANITARY SEWER LINES AND WATER LINES
 ** TO BE PAID FOR PER LIN. FT. OF PIPE
 *** TO BE PAID FOR PER EACH
 ▲ 6" "PREFERRED" MIN. CLEARANCE. THIS 6" CLEARANCE CAN BE REDUCED TO 2" "ABSOLUTE" MIN. CLEARANCE WHERE COVER IS LIMITED IN WHICH CASE NEOPRENE PADS SHALL BE UTILIZED TO SUPPORT THE D.I. PIPE OVER THE CONFLICTING UTILITY AND/OR STRUCTURE.
 ▲ FOR PIPES 8" AND SMALLER, RESTRAIN ALL JOINTS WITHIN 20'. FOR PIPES 10" AND LARGER, RESTRAIN ALL JOINTS WITHIN 40'.

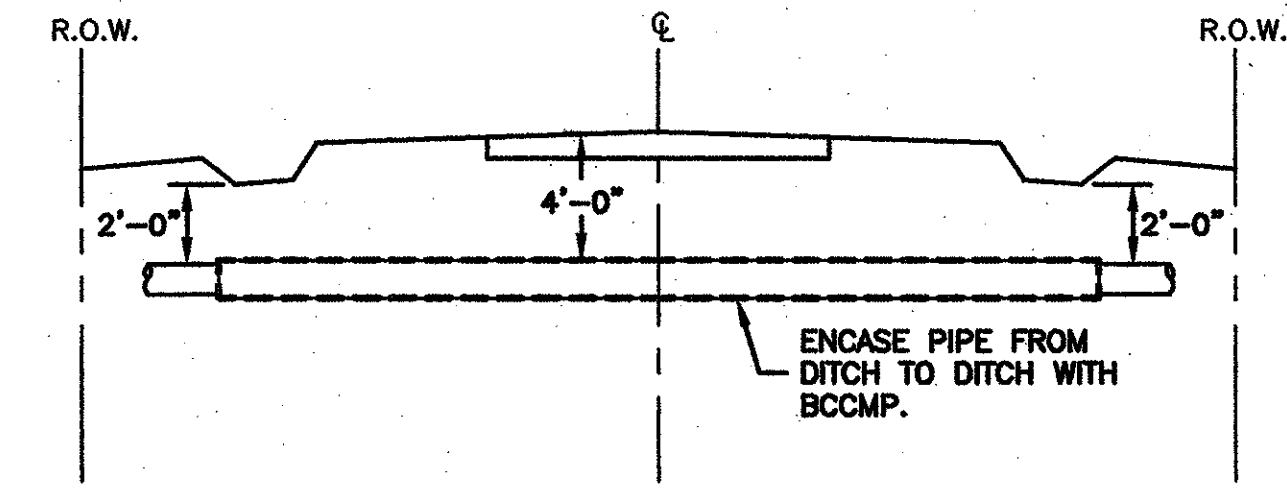


5 THRUST BLOCKING DETAIL (TIMBER)
 X 02660M02timberthrustblocking.DWG N.T.S.

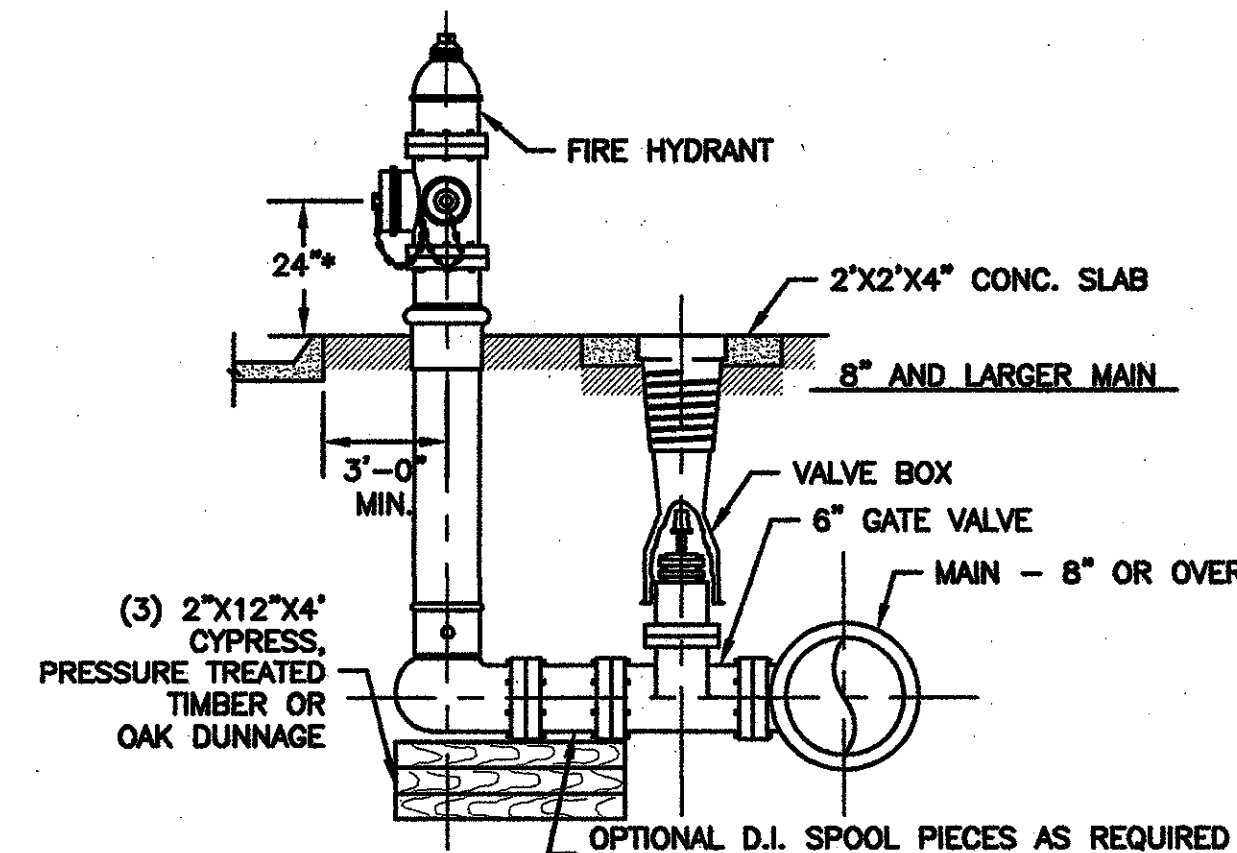
* TYPE & SIZE OF SERVICE LINE SHALL BE SAME AS PORTION OF SERVICE LINE INSTALLED BY CUSTOMER.



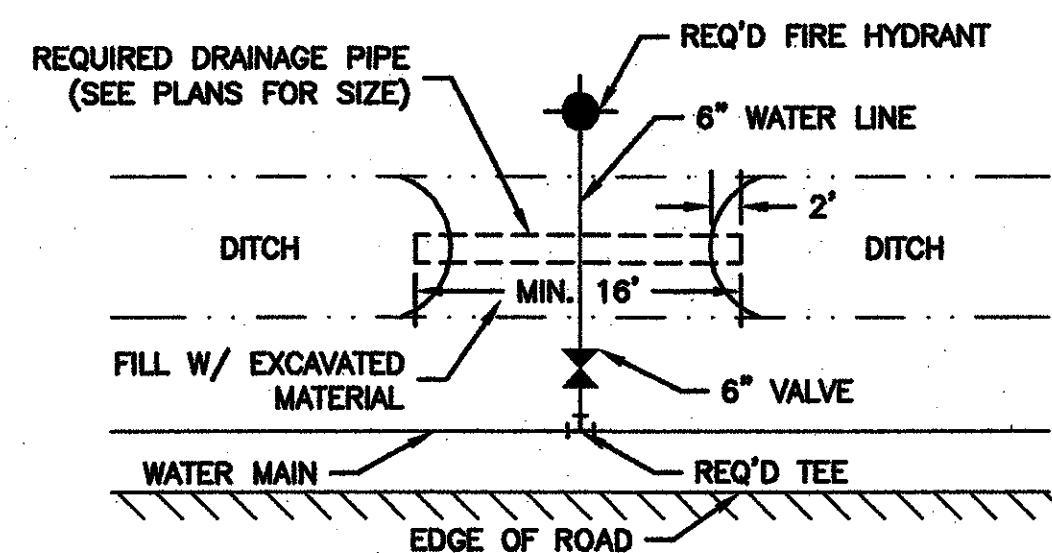
6 WATER SERVICE ASSEMBLY
 X 02734M35waterserviceassy.DWG N.T.S.



7 TYPICAL ROAD CROSSING
 X N.T.S.

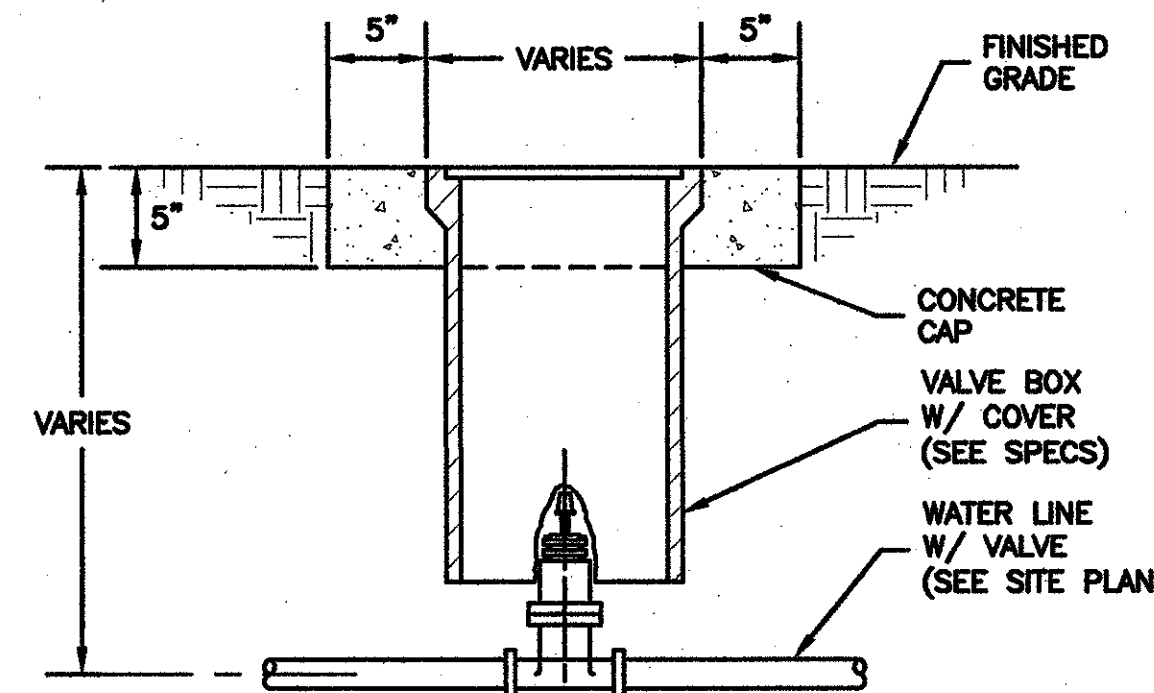


8 FIRE HYDRANT DETAIL
 X 02645X01firehydrant.DWG N.T.S.

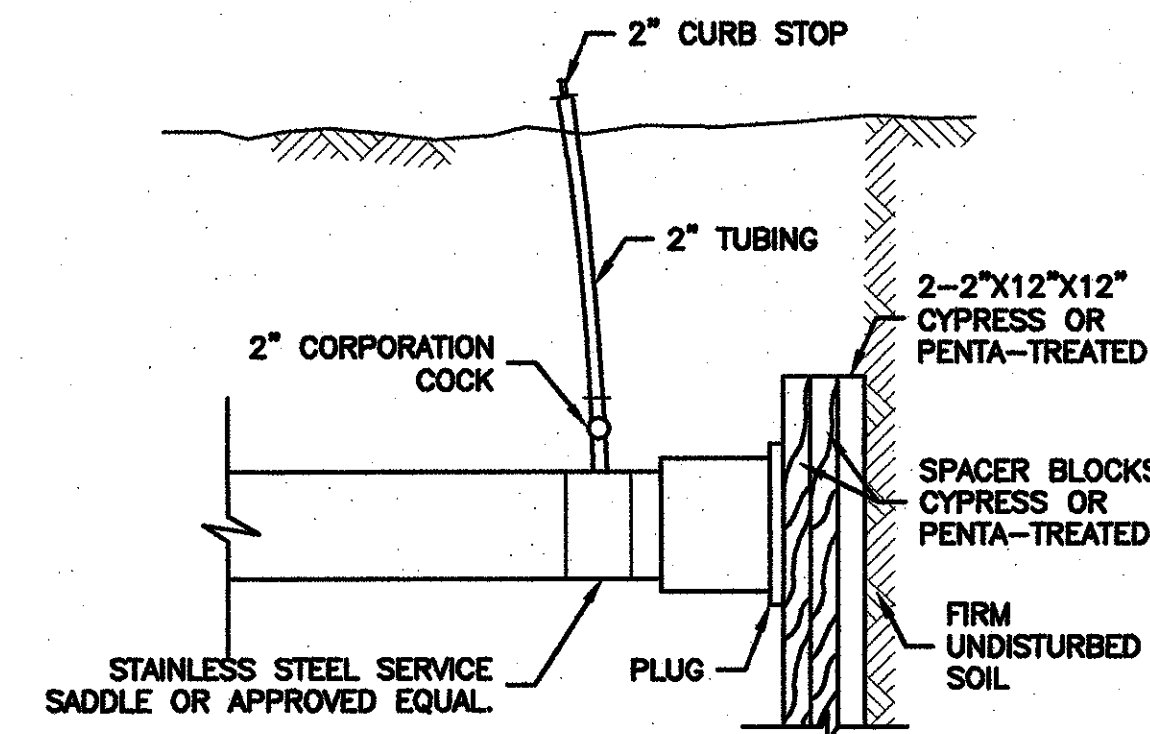


9 FIRE HYDRANT INSTALLATION DETAIL (DITCH)
 X 02724M32fireinstallditch.DWG N.T.S.

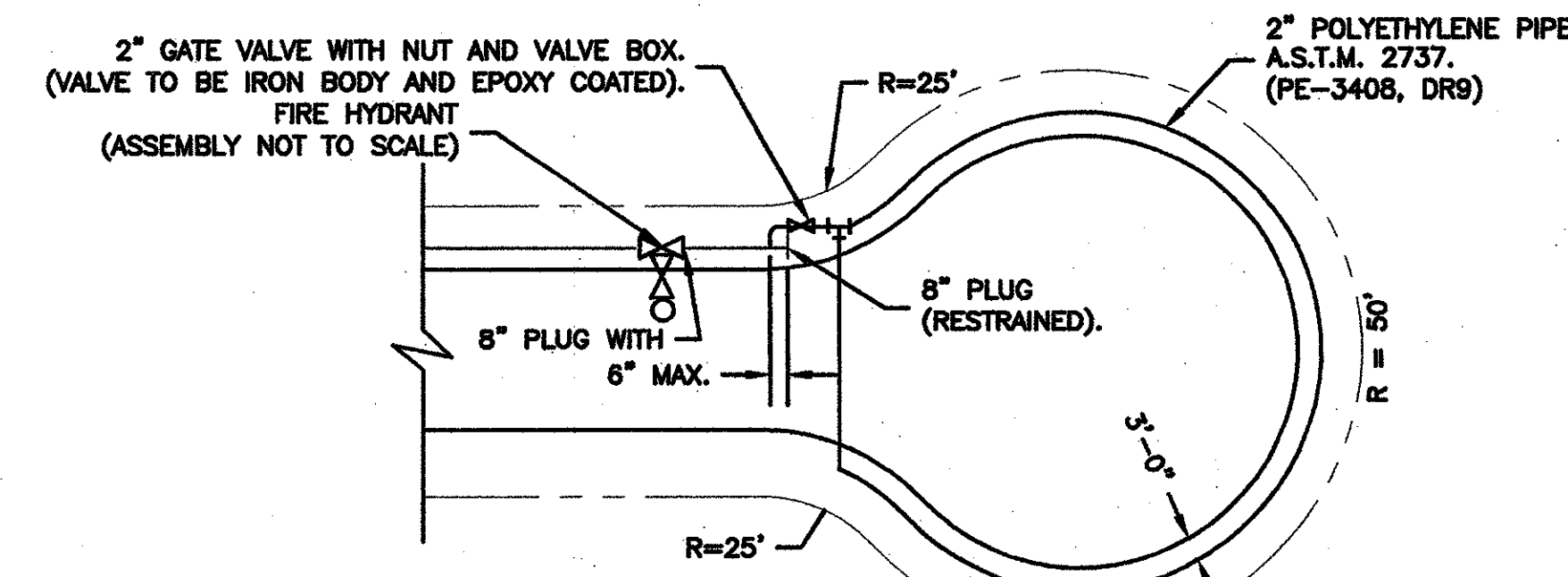
NOTES:
 1. CONTRACTOR SHALL VERIFY THE LOCATION OF FIRE HYDRANTS AND INVERT OF 6" LINE IN FIELD WITH OWNER'S PROJECT REPRESENTATIVE.
 2. IF THE FIRE HYDRANT OR VALVE IS WITHIN THE DITCH BANKS, VERIFY LOCATION WITH OWNER'S PROJECT REPRESENTATIVE PRIOR TO CONSTRUCTION.



10 VALVE BOX
 X N.T.S.

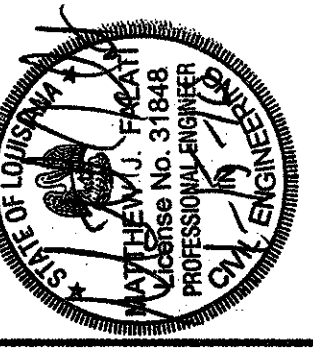


11 PLUG AND 2" BLOW-OFF DETAIL
 X N.T.S.



12 CUL-DE-SAC DETAIL
 X N.T.S.

project no. 20-0901
 drawn EMC
 checked MJP
 date 01.15.2010
 revised



MEYER ENGINEERS, LTD.
 ENGINEER & ARCHITECT

MISCELLANEOUS WATER DETAILS
 VAL RIESS PARK
 MULTI-PURPOSE BUILDING
 ST. BERNARD PARISH, OWNER

sheet no. C3.1
 of ___ sheets