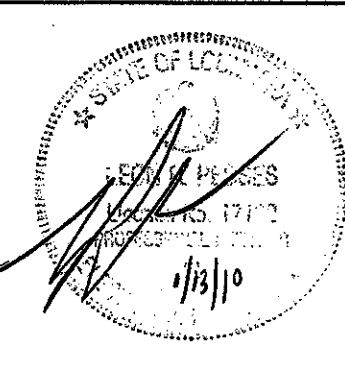


project no. 20-0901
 drawn GVT
 checked LRP
 date 01.15.2010
 revised 00.00.0000
 00.00.0000



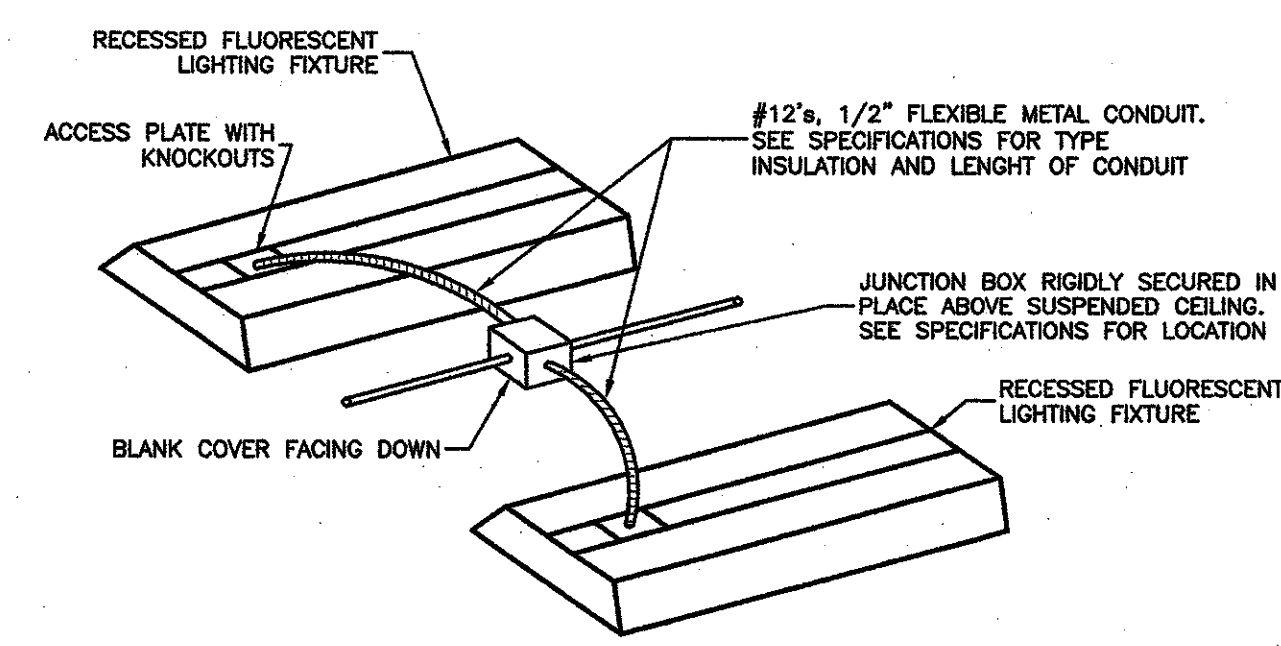
MEYER ENGINEERS, LTD.
ENGINEER & ARCHITECT

AREA 'A' FLOOR PLAN - LIGHTING
VAL RISS PARK
MULTI-PURPOSE BUILDING
ST. BERNARD PARISH, OWNER

sheet no. **E1.1**
 of ___ sheets

- SPECIFIC NOTES:**
- ROUTE CIRCUIT THROUGH LIGHTING CONTROL PANEL, LOPH. LOCATED ON MEZZANINE LEVEL, ADJACENT TO PANEL LH.
 - LIGHTING CONTROL STATION, PROVIDE 1" CONDUIT WITH MANUFACTURER SUGGESTED CABLE TO NEAREST LIGHTING CONTROL PANEL LOCATED ON MEZZANINE LEVEL.

- NOTES**
- OUTDOOR LIGHTING SHALL BE SWITCHED BY PHOTOCELL CONTROLLED RELAY IN LIGHTING CONTROL PANEL.
 - RACEWAYS IN EXHIBIT HALL SHALL BE CONCEALED EITHER UNDER SLAB OR ABOVE TRUSSES.

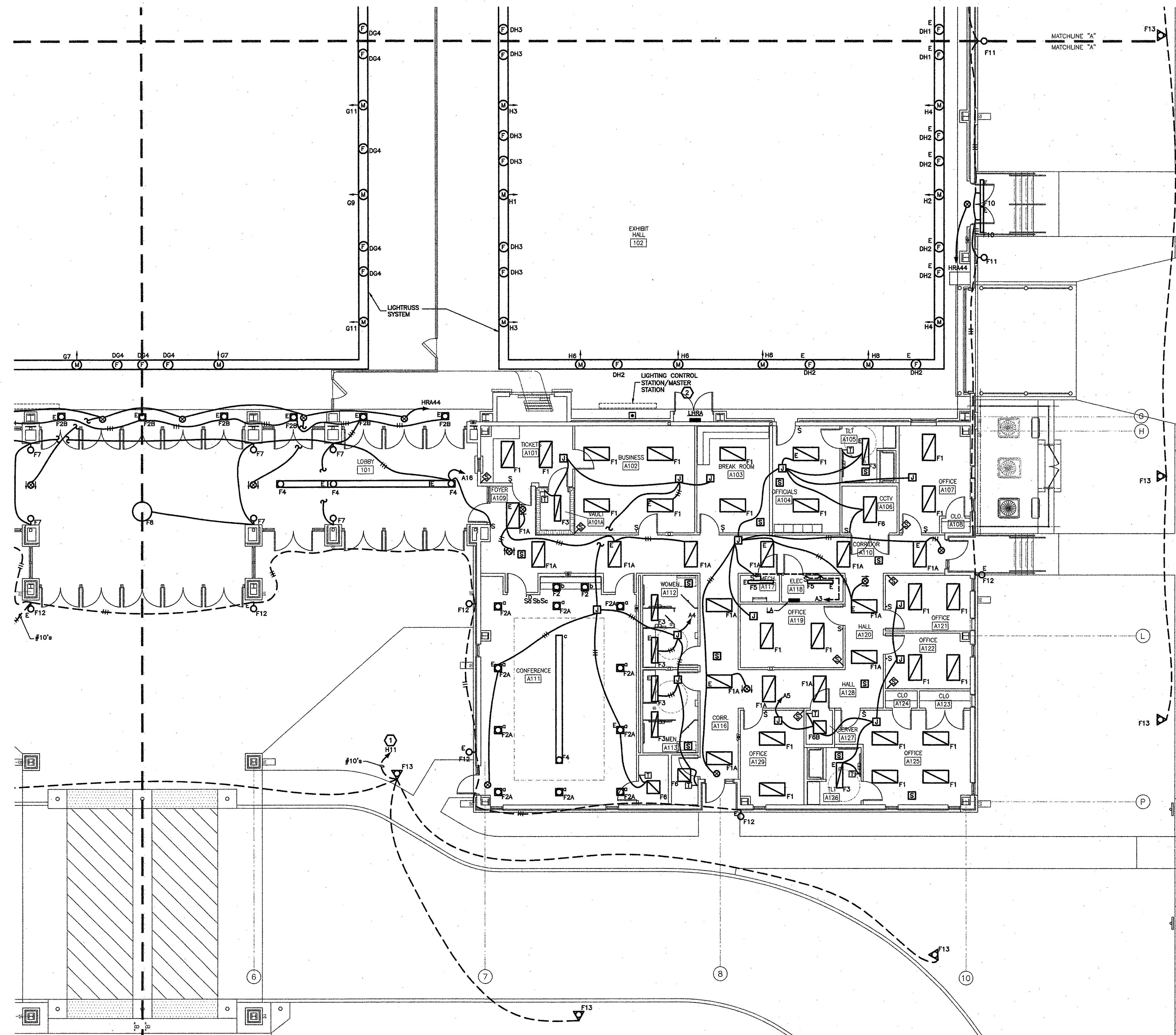


NOTE: MAXIMUM OF 2 FIXTURES SHALL BE SUPPLIED BY EACH JUNCTION BOX
RECESSED MOUNTED FLOURESCENT - DETAIL
 NO SCALE

- AUTOMATIC LIGHTING SHUTOFF SYSTEM NOTES**
- PROVIDE POWER SUPPLIES AND RELAY PACKS AS REQUIRED FOR AUTOMATIC LIGHTING SHUT-OFF DEVICES.
 - PROVIDE A WALL-MOUNTED AUTO/OFF SWITCH AT EACH ENTRANCE/EXIT OF EACH AREA OR ROOM WHERE CORNER MOUNTED OR CEILING MOUNTED AUTOMATIC LIGHTING SHUT-OFF DEVICES ARE INDICATED.
 - UNLESS INDICATED OTHERWISE, IN EACH ROOM/CORRIDOR WHERE AN AUTOMATIC LIGHTING SHUT-OFF DEVICE IS INDICATED, PROVIDE WIRING IN RACEWAY AS REQUIRED TO INTERCONNECT AUTOMATIC LIGHTING SHUT-OFF DEVICE(S), AUTO/OFF SWITCH, POWER SUPPLIES, RELAY PACKS, AND LIGHTING FIXTURES FOR CONTROL OF ALL THE LIGHTING FIXTURES IN THE ROOM/CORRIDOR, UNLESS NOTED OTHERWISE USING SUBSCRIPTS.

THESE PLANS HAVE BEEN PREPARED UNDER MY CLOSE PERSONAL SUPERVISION AND, TO THE BEST OF MY KNOWLEDGE AND BELIEF, THEY COMPLY WITH CITY PARISH REQUIREMENTS. I AM NOT GENERALLY ADMINISTERING THE WORK, BUT NOT TO THE EXTENT THAT WILL ELIMINATE THE NEED FOR CITY PARISH INSPECTIONS.

GVA ENGINEERING, L.L.C.
 PROJECT No. 2910



LIGHTING
PARTIAL BUILDING PLAN
 SCALE : 1/8" = 1'-0"

GVA PROJECT No 2910
 CAD FILE E-LTG
 LAST REVISION 01-12-10
 PLOT DATE 01-12-10
 PLOT SCALE 1=1

T:\CADPROJ\2900\2910\E-LTG.dwg, 1/12/2010 5:45:43 PM, gvt