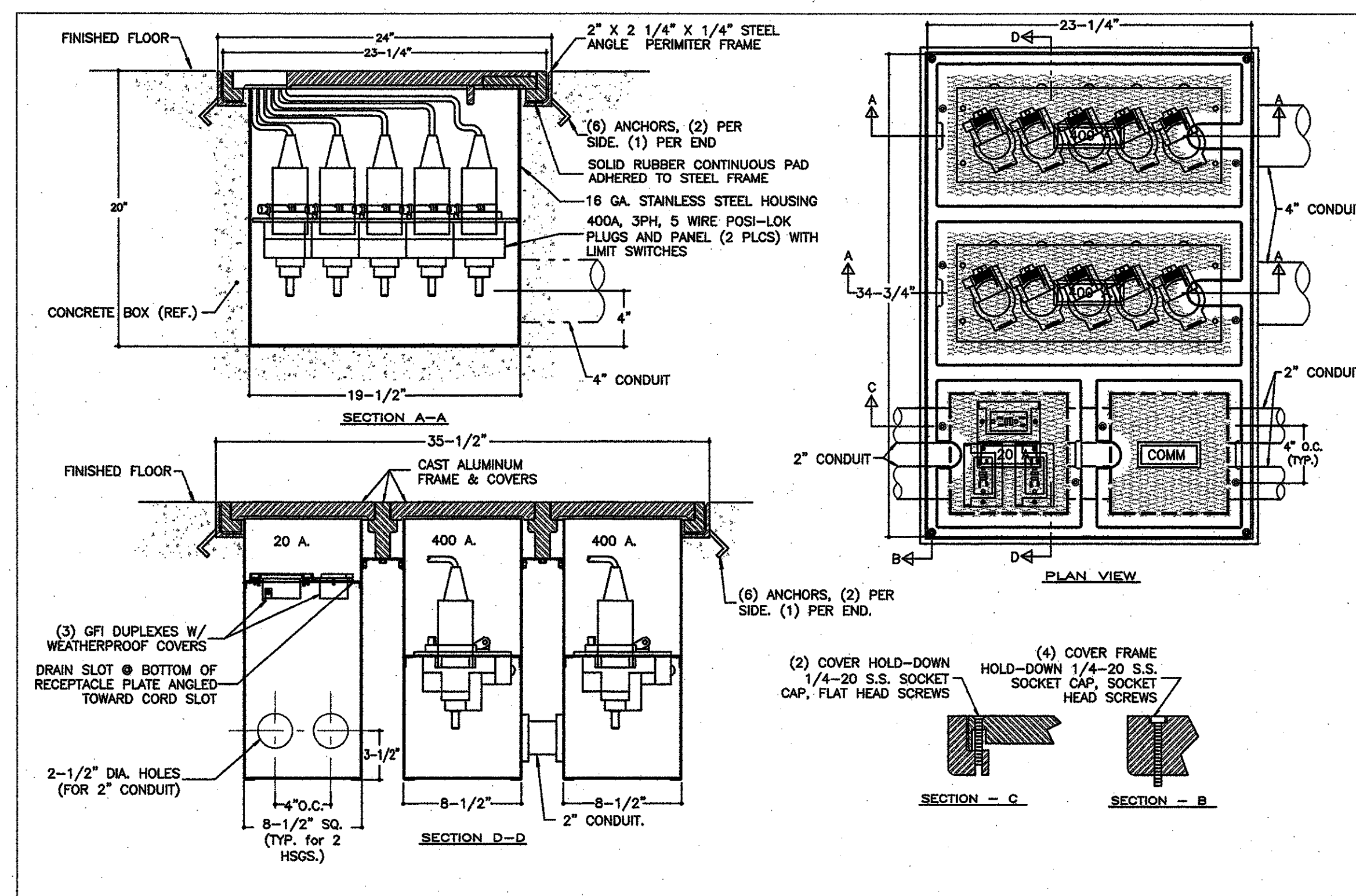
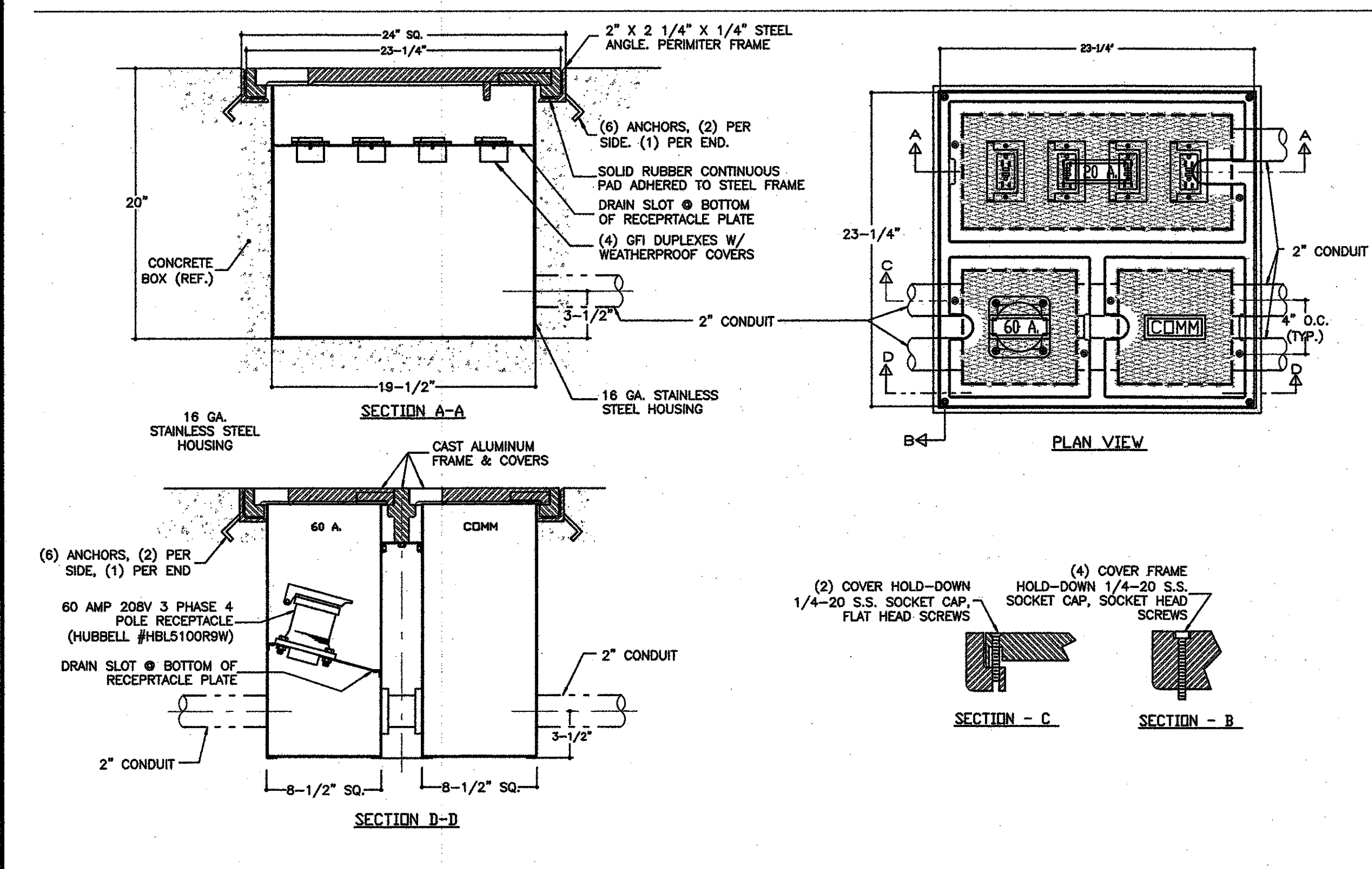


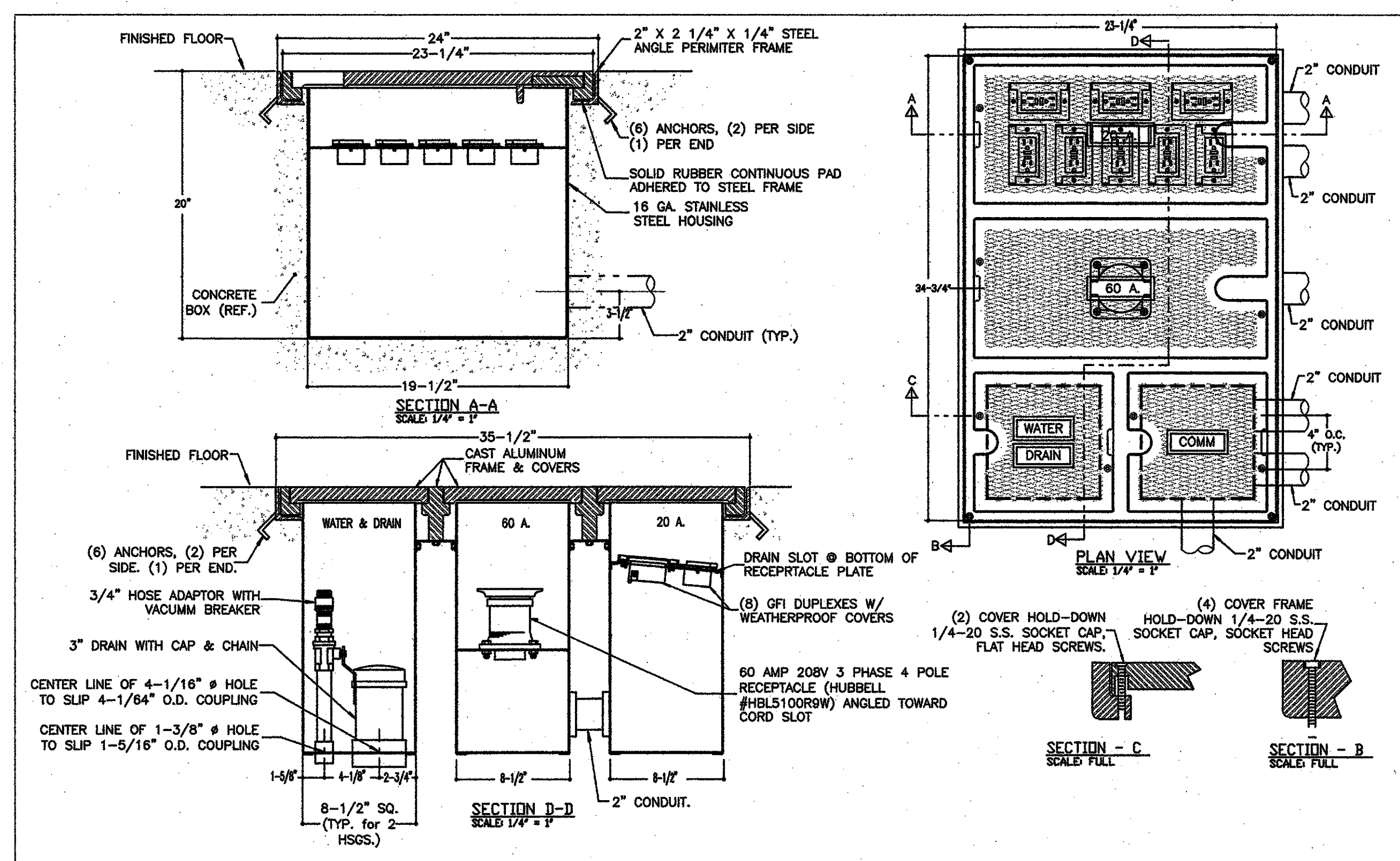
ELECTRICAL DETAIL
TYPE 1 FLOOR BOX
NTS



ELECTRICAL DETAIL
TYPE 3 FLOOR BOX
NTS



ELECTRICAL DETAIL
TYPE 2 FLOOR BOX
NTS

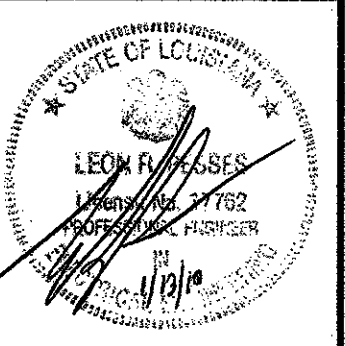


ELECTRICAL DETAIL
TYPE 4 FLOOR BOX
NTS

NOTES

- 1 FINISH: CLEAR ANODIZED FRAME & COVERS
- 2 LIFT & ROTATE COVERS 180° TO REVEAL CORD SLOT OPENING.
- 3 SPECIFY REQUIRED SIZES & LOCATIONS OF CONDUIT ENTRIES IN HOUSINGS.
- 4 CONTRACTOR IS TO FURNISH ALL WIRING DEVICES IN BOXES AND SHIP TO FLOOR BOX MANUFACTURER FOR ASSEMBLY.
- 5 COORDINATE CONDUIT ENTRIES WITH FLOOR BOX MANUFACTURER.

| | |
|-------------|------------|
| project no. | 20-0901 |
| drawn | BJR |
| checked | LJP |
| date | 01.15.2010 |
| revised | 00.00.0000 |



MEYER ENGINEERS, LTD.
ENGINEER & ARCHITECT

VAL RISS PARK
MULTI-PURPOSE BUILDING
ST. BERNARD PARISH, OWNER

| | |
|-----------------|---------|
| GVA PROJECT No. | 2910 |
| CAD FILE | E-DTL |
| LAST REVISION | 1-12-10 |
| PLOT DATE | 1-12-10 |
| PLOT SCALE | 1=1 |

GVA ENGINEERING, L.L.C.
PROJECT No. 2910

sheet no.
E4.0
of ___ sheets