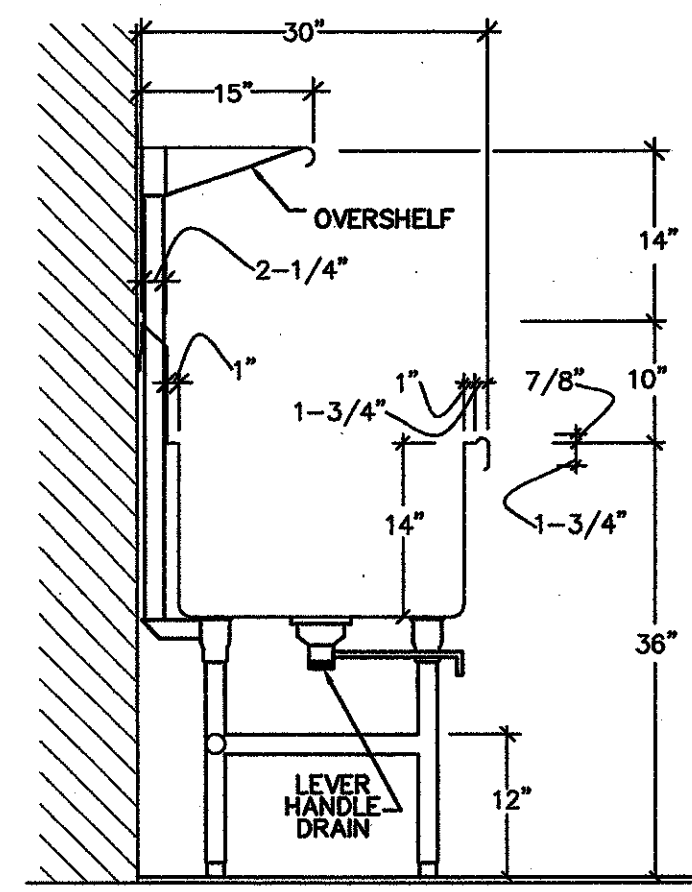
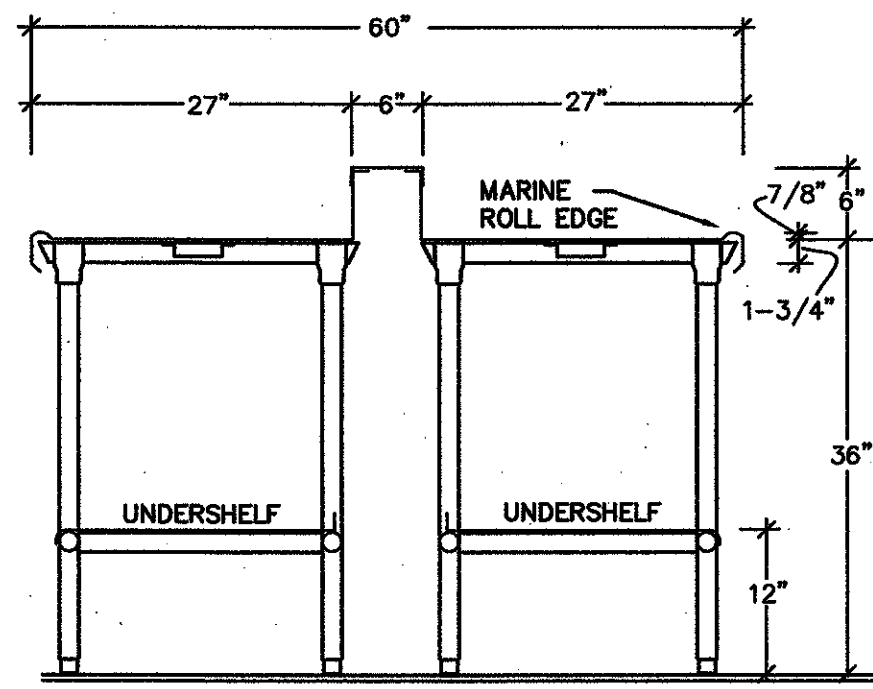


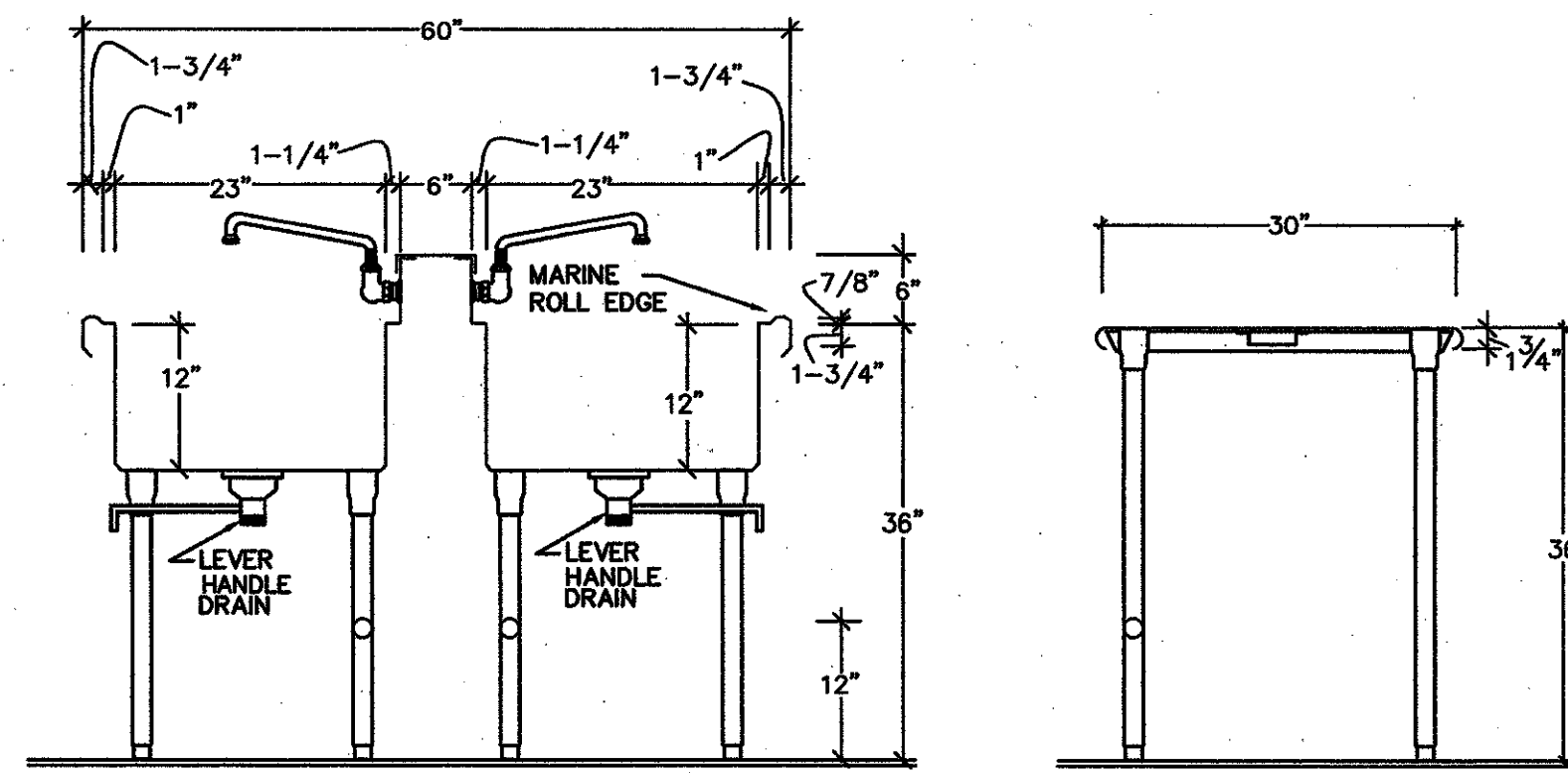
**C POT/PAN SINK W/OVERSHELF**  
FS1|FS2 3/4" = 1' 0"



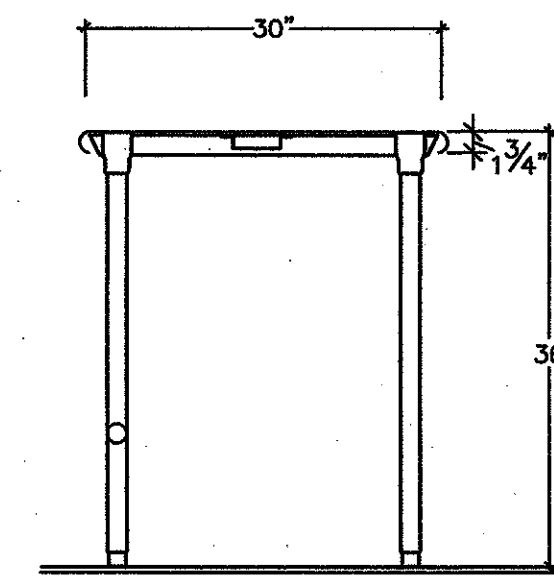
**D POT/PAN SINK W/OVERSHELF**  
FS1|FS2 3/4" = 1' 0"



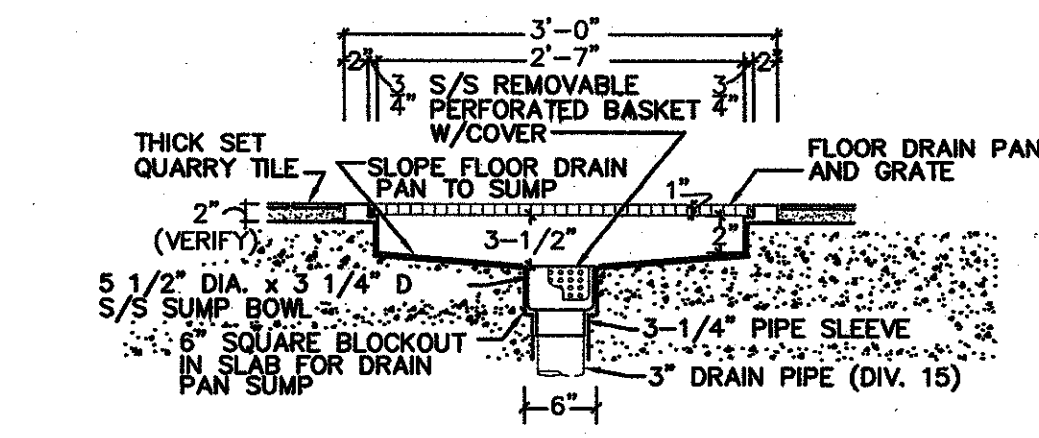
**E PREPARATION COUNTER W/SINKS**  
FS1|FS2 3/4" = 1' 0"



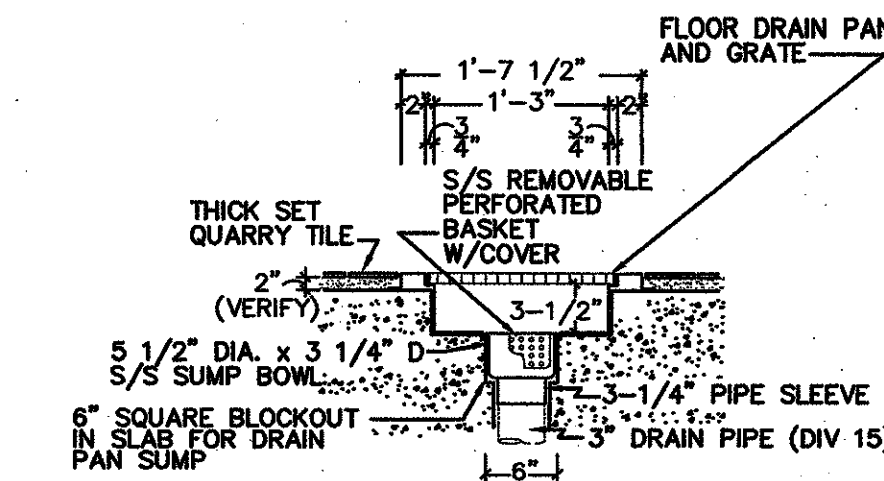
**F PREPARATION COUNTER W/ SINKS**  
FS1|FS2 3/4" = 1' 0"



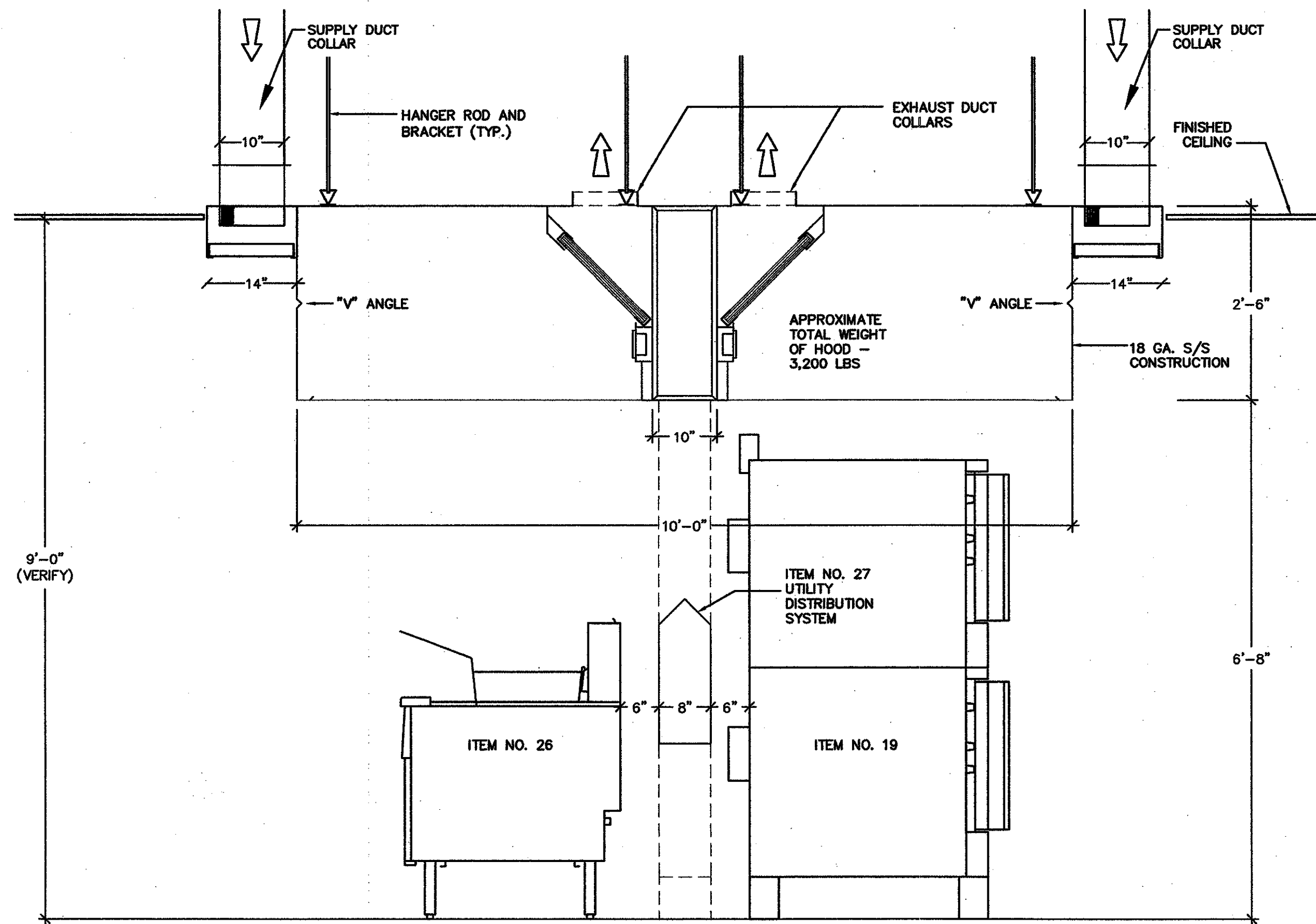
**G STAGING TABLE**  
FS1|FS2 3/4" = 1' 0"



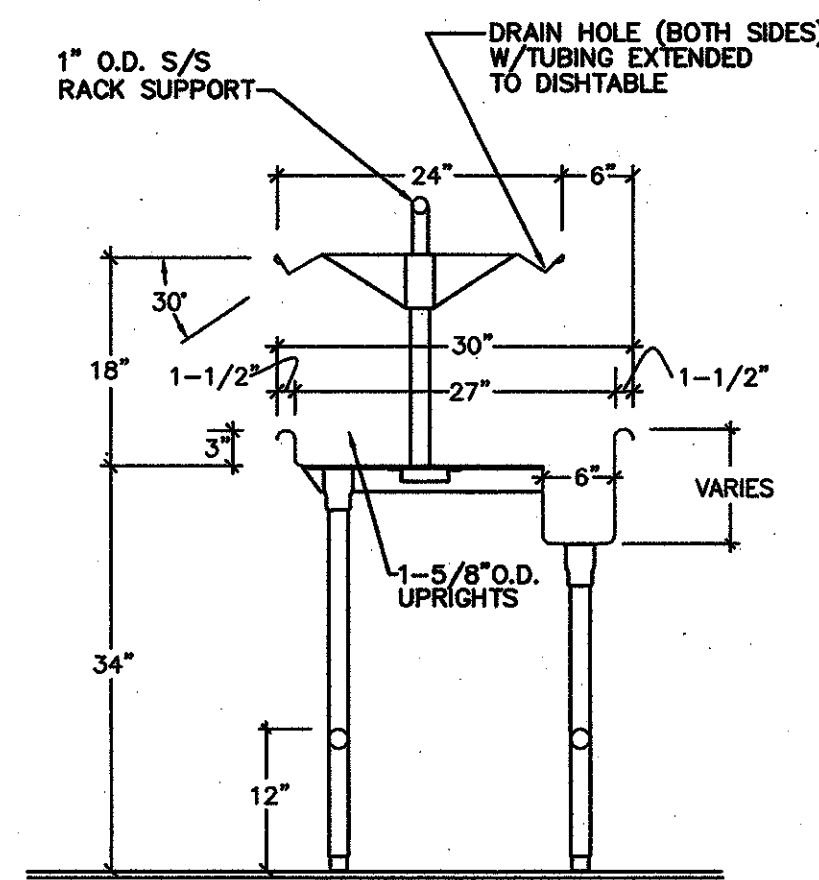
**H STAINLESS STEEL FLOOR DRAIN TROUGH W/GRATE -LENGTHWISE**  
FS1|FS2 3/4" = 1' 0"



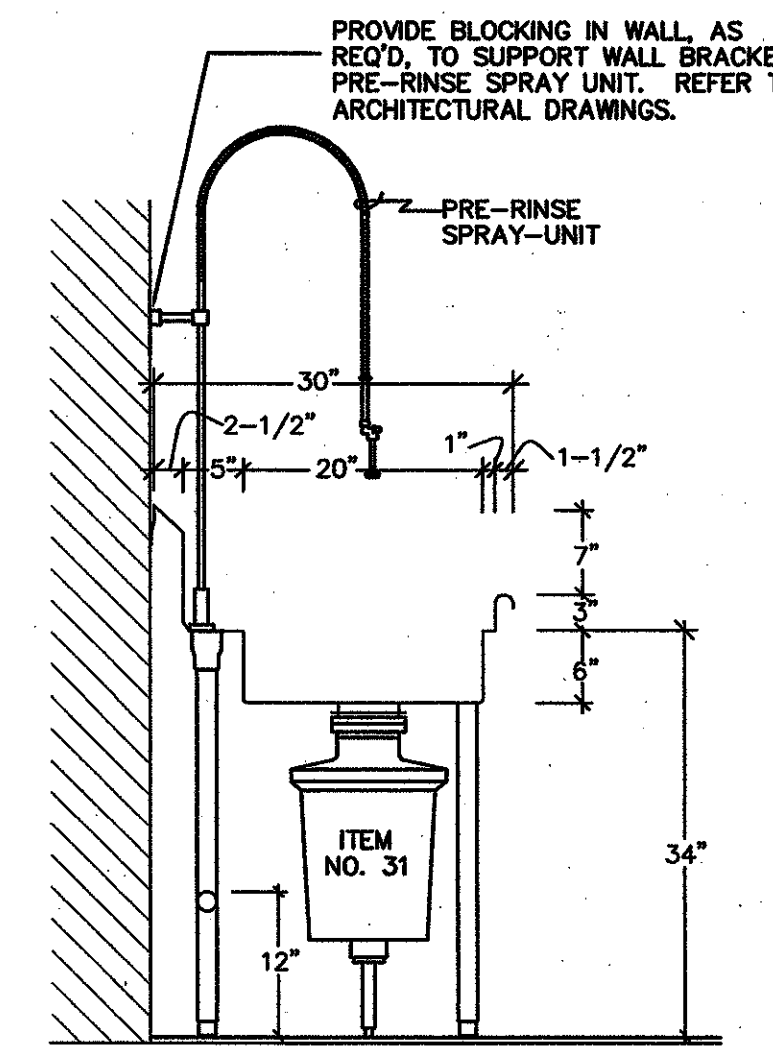
**I STAINLESS STEEL FLOOR DRAIN TROUGH W/GRATE -WIDTHWISE**  
FS1|FS2 3/4" = 1' 0"



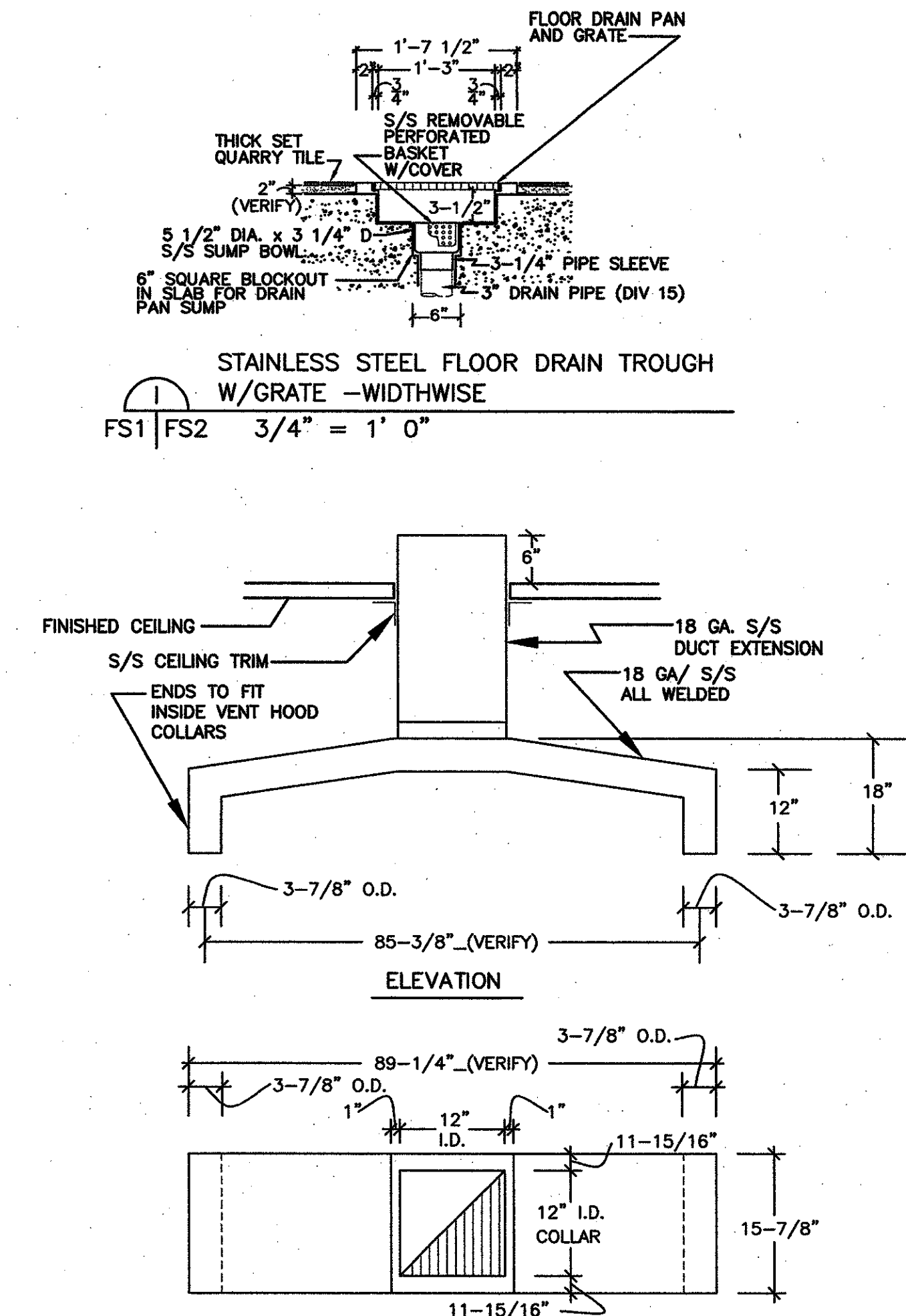
**J EXHAUST HOOD/UDS**  
FS1|FS2 3/4" = 1' 0"



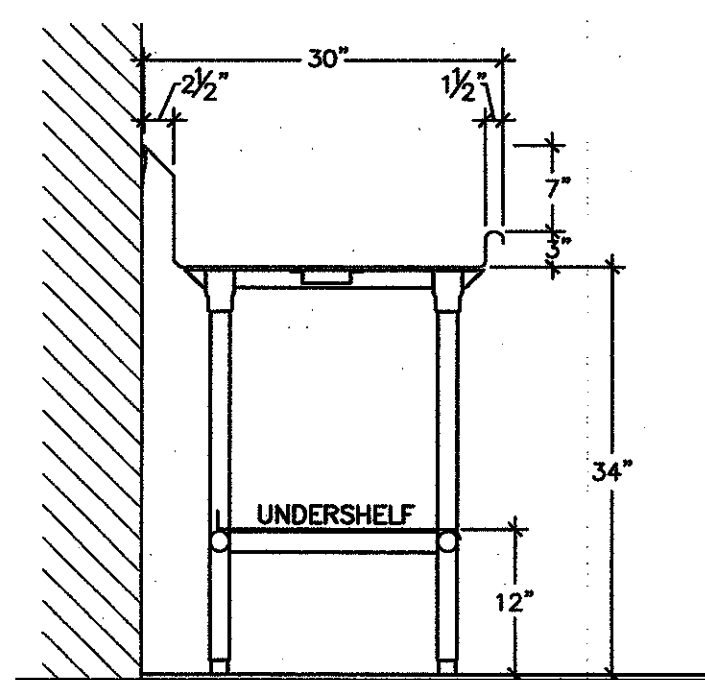
**K SOILED DISHTABLE W/RACK SHELF**  
FS1|FS2 3/4" = 1' 0"



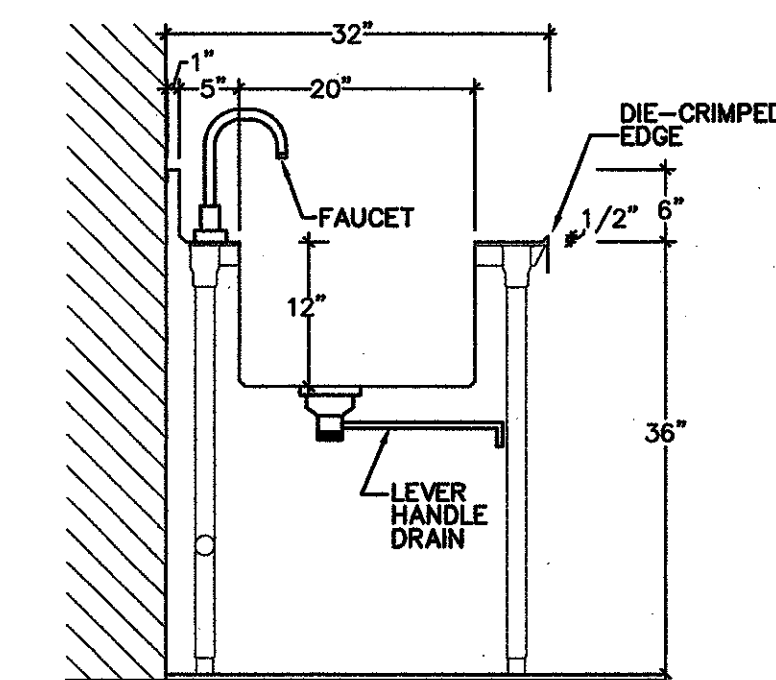
**L SOILED DISHTABLE W/RACK SHELF**  
FS1|FS2 3/4" = 1' 0"



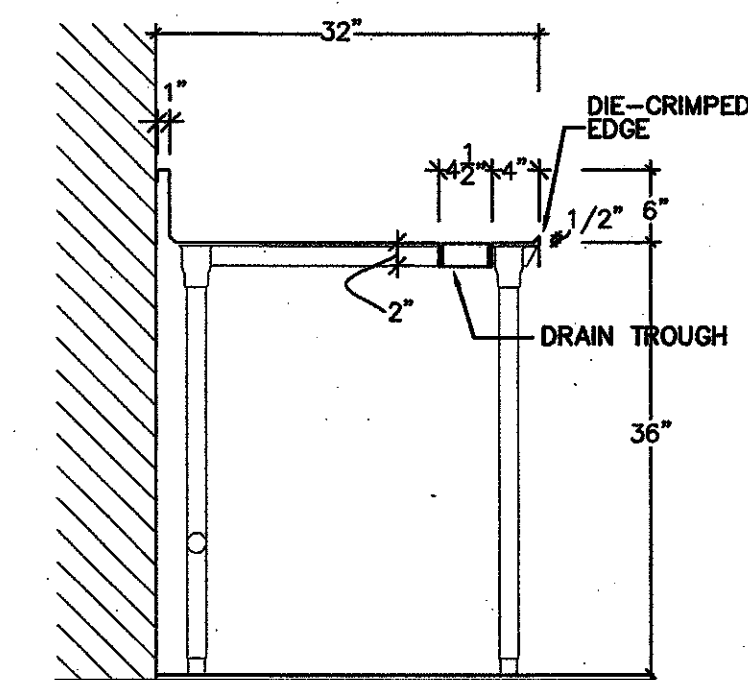
**DISHWASHER PANT LEG EXHAUST DUCT NOT TO SCALE**



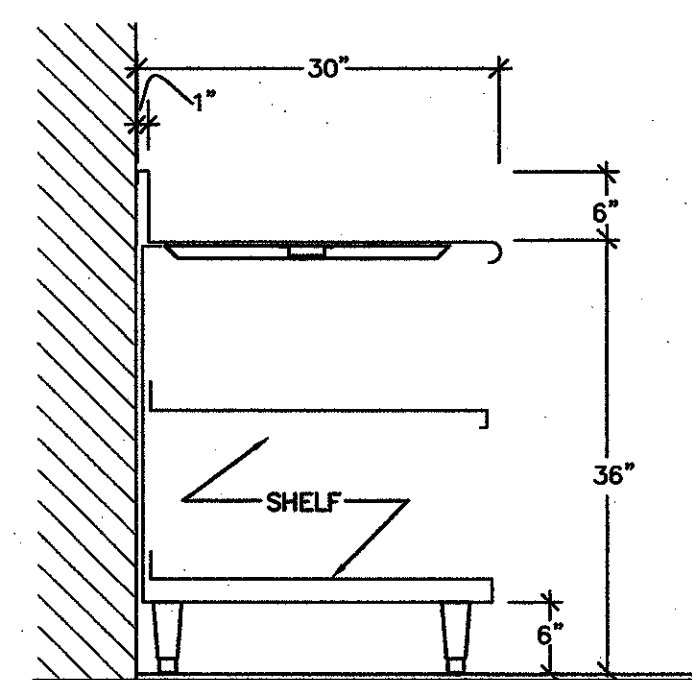
**M CLEAN DISHTABLE**  
FS1|FS2 3/4" = 1' 0"



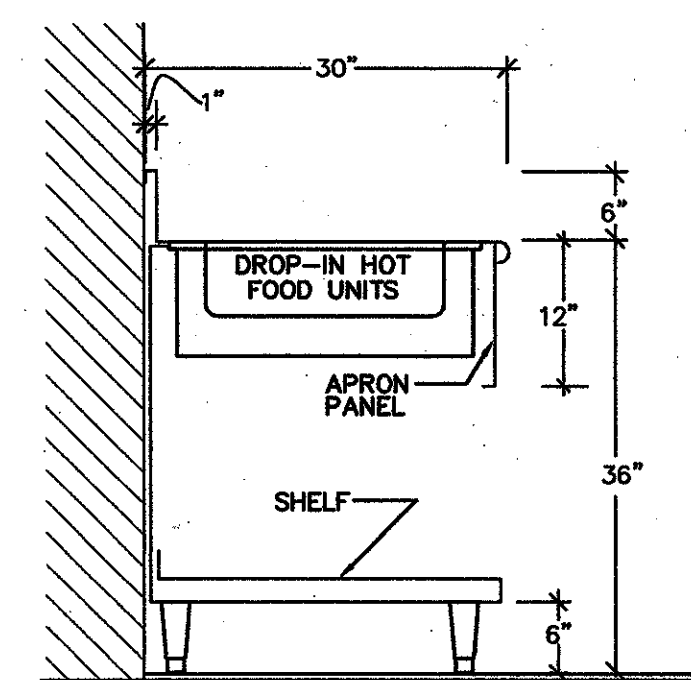
**N BEVERAGE COUNTER W/SINK**  
FS1|FS2 3/4" = 1' 0"



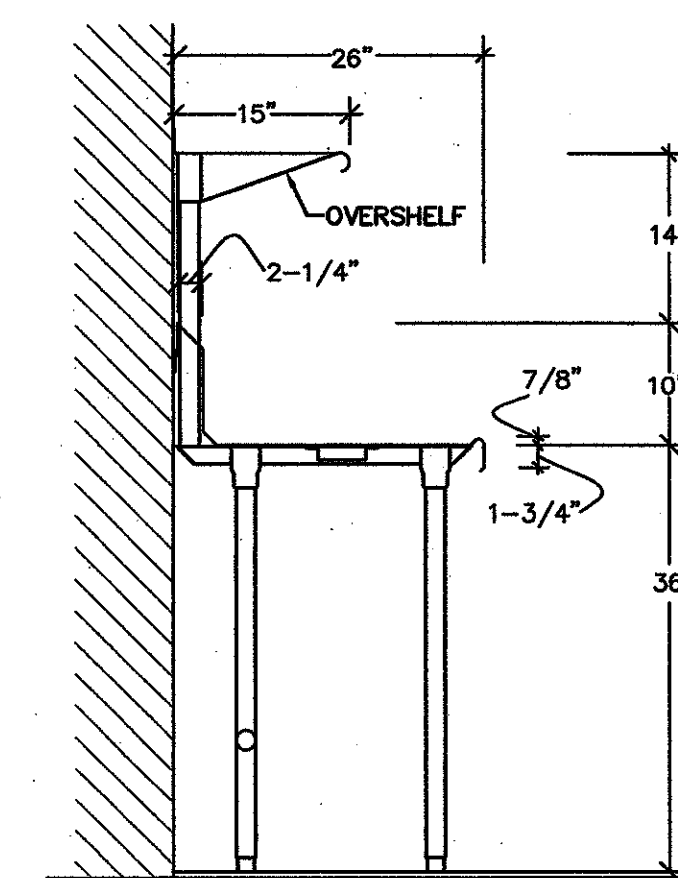
**O BEVERAGE COUNTER W/SINK**  
FS1|FS2 3/4" = 1' 0"



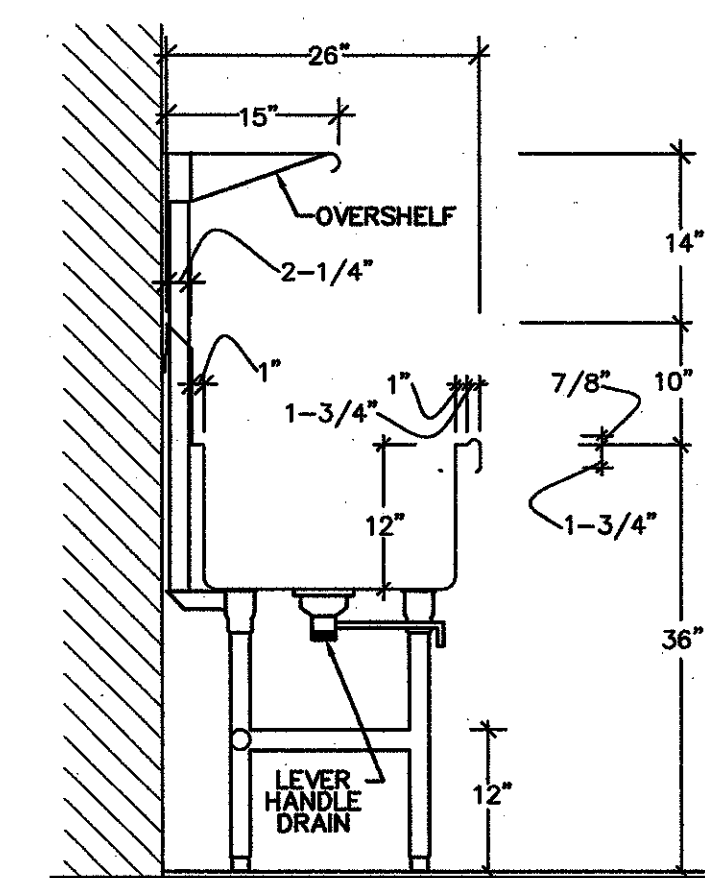
**P EQUIPMENT STAND**  
FS1|FS2 3/4" = 1' 0"



**Q EQUIPMENT STAND**  
FS1|FS2 3/4" = 1' 0"



**R 3-COMPARTMENT SINK W/ OVERSHELF**  
FS1|FS2 3/4" = 1' 0"



**S 3-COMPARTMENT SINK W/ OVERSHELF**  
FS1|FS2 3/4" = 1' 0"